



Drum Sander
American 8
Operator's Manual

READ THIS BOOK

This book has important information for the use and safe operation of this machine. Failure to read this book prior to operating or attempting any service or maintenance procedure to your American Sanders machine could result in injury to you or to other personnel; damage to the machine or to other property could occur as well. You must have training in the operation of this machine before using it. If your operator(s) cannot read this manual, have it explained fully before attempting to operate this machine.

All directions given in this book are as seen from the operator's position at the rear of the machine.

Contents

Operator Safety Instructions.....	1-4
Machine Specifications.....	5
230V Electrical Schematic.....	6
Machine Transportation.....	6
Machine Setup	7-8
Chatter-Wave Prevention	8
Machine Operation	9-10
Sander Adjustments	11-12
Routine Maintenance	13
Troubleshooting.....	14
Wiring Diagram.....	17
Handle Assy	18-19
Base Assy - 1	20-21
Base Assy - 2	22-23
Accessories	23
Warranty	24



WARNING!

The Products sold with this Manual contain or may contain chemicals that are known to certain governments (such as the State of California, as identified in its Proposition 65 Regulatory Warning Law) to cause cancer, birth defects or other reproductive harm. In certain locations (including the State of California) purchasers of these Products that place them in service at an employment job site or a publicly accessible space are required by regulation to make certain notices, warnings or disclosures regarding the chemicals that are or may be contained in the Products at or about such work sites. It is the purchaser's responsibility to know the content of, and to comply with, any laws and regulations relating to the use of these Products in such environments. The Manufacturer disclaims any responsibility to advise purchasers of any specific requirements that may be applicable to the use of the Products in such environments.

*****This product is intended for commercial use only*****

Operator Safety Instructions

In this Operation Manual you will find three statements that you must read and observe to ensure safe operation of this machine.

DANGER means: Severe bodily injury or death can occur to you or other personnel if the **DANGER** statements found on this machine or in this Operation Manual are ignored or are not adhered to. Read and observe all **DANGER** statements found in this Operation Manual and on your machine.

WARNING means: Injury can occur to you or to other personnel if the **WARNING** statements found on your machine or in the Operation Manual are ignored or are not adhered to. Read and observe all **WARNING** statements found in this Operation Manual and on your machine.

CAUTION means: Damage can occur to the machine or to other property if the **CAUTION** statements found on your machine or in this Operation Manual are ignored or are not adhered to. Read and observe all **CAUTION** statements found in this Operation Manual and on your machine.



DANGER:

Failure to read the Owner's Manual prior to operating or servicing your American Sanders machine could result in injury to you or to other personnel; damage to the machine or to other property could occur as well. You must have training in the operation of this machine before using it. If you or your operator(s) cannot read English, have this manual explained fully before attempting to operate this machine.



DANGER:

A. Sanding/finishing wood floors can create an explosive or combustible environment. Do not operate this machine around solvents, thinners, alcohol, fuels, floor finishes, wood dust or any other flammable materials. Cigarette lighters, pilot lights, electrical sparks and all other sources of ignition should be extinguished or avoided. Keep work area well ventilated.

B. Dust generated from sanding wood floors can spontaneously ignite or explode. Promptly dispose of any sanding dust in a metal container clear of any combustibles. Do not dispose in a fire.



DANGER:

A. Electrocutation could occur if the machine is being serviced while the machine is connected to a power source. Disconnect the power supply before servicing.

B. Electrocutation or fire could occur if the machine is being operated with a damaged power cord. Keep the power cord clear of the pad. Always lift the cord over the machine. Do not move the machine by the power cord.

C. Shock hazard. Do not use the machine if it has been rained on or sprayed with water.



DANGER:

To avoid injury keep hands, feet, and loose clothing away from all moving parts on the machine. Disconnect the power cord before replacing the pad, changing the abrasive, or when servicing. Do not operate the machine unless all guards are in place. Never leave the machine unattended while connected to a power source.



WARNING:

Injury can occur if protective clothing or equipment is not used while sanding. Always wear safety goggles, protective clothing, and dust mask while sanding.



WARNING:

This sander is not to be used on pressure treated wood. Some pressure treated woods contain arsenic and sanding pressure treated wood produces hazardous dust. Inhaling hazardous dust from pressure treated wood can cause serious injury or death. Sanding pressure treated wood decks or uneven surfaces can damage the sander which is not covered under warranty or damage waiver.



WARNING:

Any alterations or modifications of this machine could result in damage to the machine or injury to the operator or other bystanders. Alterations or modifications not authorized by the manufacturer voids any and all warranties and liabilities.



WARNING:

Risk of explosion. Floor sanding can result in an explosive mixture of fine dust and air. Use floor sanding machine only in a well-ventilated area free from any flame or match.

General Power Tool Safety Warnings

WARNING: Read all safety warnings and instructions. Failure to follow warnings and instructions may result in electric shock, fire and or serious injury.

Save all warnings and instructions for future use.

The term "power tool" in the warnings refers to your main-operated (corded) power tool or battery operated (cordless) power tool.

1) Work area safety

- a) **Keep work area clean and well lit.** Clutter or dark areas invite accidents.
- b) **Do not operate power tools in explosive atmospheres, such as in the presence of flammable liquids, gasses, or dust.** Power tools create sparks which may ignite the dust or fumes.
- c) **Keep children and bystanders away while operating a power tool.** Distractions can cause you to lose control.

2) Electrical safety

- a) **Power tool plugs must match the outlet. Never modify the plug in any way. Do not use any adapter plugs with earthed (grounded) power tools.** Unmodified plugs and matching outlets will reduce risk of electric shock.
- b) **Avoid body contact with earthed or grounded surfaces such as pipes, radiators, ranges, and refrigerators.** There is an increased risk of electric shock if your body is earthed or grounded.
- c) **Do not expose power tools to rain or wet conditions.** Water entering a power tool will increase the risk of electric shock.
- d) **Do not abuse the cord. Never use the cord for carrying, pulling or unplugging the power tool. Keep cord away from heat, oil, sharp edges or moving parts.** Damaged or entangled cords increase the risk of electric shock.
- e) **When operating a power tool outdoors, use an extension cord suitable for outdoor use.** Use of cord suitable for outdoor use reduces the risk of electric shock.

- f) **If operating a power tool in a damp location is unavoidable, use a residual current device (RCD) or ground fault circuit interrupter (GFCI) protected supply.** Use of a RCD or GFCI reduces the risk of electric shock.

3) Personal safety

- a) **Stay alert, watch what you are doing and use common sense when operating a power tool. Do not use a power tool while you are tired or under the influence of drugs, alcohol, or medication.** A moment of inattention while operating power tools may result in serious personal injury.
- b) **Use personal protective equipment. Always wear eye protection.** Protective equipment such as dust mask, non-skid safety shoes, hard hat, or hearing protection used for appropriate conditions will reduce personal injury.
- c) **Prevent unintentional starting. Ensure switch is in off-position before connecting to power source and/or battery pack, picking up, or carrying the tool.** Carrying power tools with your finger on the switch or energizing power tools that have the switch on invites accidents .
- d) **Remove any adjustment wrench or key before turning the power tool on.** A wrench or key left attached to a rotating part of the power tool may result in personal injury.
- e) **Do not overreach. Keep proper footing and balance** at all times. This enables better control of the power tool in unexpected situations .
- f) **Dress properly. Do not wear loose clothing or jewelry. Keep your hair, clothing and gloves away from moving parts.** Loose clothes, jewelry, or long hair can be caught in moving parts.
- g) **If devices are provided for the connection of dust extraction and collection facilities, ensure these are connected and properly used.** Use of dust collection can reduce dust related hazards. It is recommendation that the tool always be supplied via a residual current device with a rated residual current of 30mA or less.

4) Power tool use and care

- a) **Do not force the power tool. Use the correct power tool for your application.** The correct power tool will do the job better and safer at the rate for which it was designed .
- b) **Do not use the power tool if the switch does not turn it on and off.** Any power tool that cannot be controlled with the switch is dangerous and must be repaired .
- c) **Disconnect the plug from the power source and/or the battery pack from the power tool before making any adjustments, changing accessories or storing power tools.** Such preventative safety measures reduce the risk of starting the power tool accidentally.
- d) **Store idle power tools out of the reach of children and do not allow persons unfamiliar with the power tool or these instructions to operate the power tool.** Power tools are dangerous in the hands of untrained users.
- e) **Maintain power tools. Check for misalignment or binding of moving parts, breakage of parts and any other condition that may affect the power tool's operation. If damaged, have the power tool repaired before use.** Many accidents are caused by poorly maintained power tools .
- f) **Keep cutting tools sharp and clean.** Properly maintained cutting tools with sharp cutting edges are less likely to bind and are easier to control.
- g) **Use the power tool, accessories and tool bits ect. in accordance with these instructions , taking into account the working conditions and the work to be performed.** Use of the power tool for operations different from those intended could result in a hazardous situation.

5) Service

- a) **Have the power tool serviced by a qualified repair person using only identical replacement parts.** This will ensure that the safety of the power tool is maintained . If the supply cord is damaged, it must be replaced by the manufacturer , its service agent or similarly qualified persons in order to avoid a hazard.

Safety Warnings For Sanding Operations

1. This power tool is intended to function as a sander. Read all safety warnings, instructions and specifications provided with this power tool. Failure to follow all instructions listed below may result in electric shock , fire, or personal injury.
2. Operations such as grinding, wire brushing , polishing or cutting-off, are not recommended to be performed with this power tool. Operations for which the tool was not designed may create a hazard and cause personal injury.
3. Do not use accessories which are not specifically designed and recommended by the tool manufacturer. Just because the accessory can be attached to your power tool, it does not assure safe operation .
4. The rated speed of the accessory must be at least equal to the maximum speed marked on the power tool. Accessories running faster than their rated speed can break and fly apart .
5. The outside diameter and thickness of your accessory must be within the capacity rating of your power tool. Incorrectly sized accessories cannot be adequately guard or controlled.
6. The arbor size of wheels , flanges, backing pads or any other accessory must fit the spindle of the power tool. Accessories with arbor holes that do not match the mounting hardware of the power tool will run out of balance, vibrate excessively and may cause loss of control.
7. Do not use damaged accessory. Before each use inspect the accessory such as abrasive wheel for chips or cracks, backing pad for cracks , tear or excess wear, wire brush for loose or cracked wires . If power tool or accessory is dropped , inspect for damage or install an undamaged accessory. After inspecting or installing an accessory, position yourself or bystanders away from the plane of the rotating accessory and run the power tool at maximum no-load speed for one minute . Damaged accessories will normally break apart during this time .

8. Wear personal protective equipment. Depending on application, use face shield, safety goggles or safety glasses. As appropriate, wear dust mask, hearing protectors, gloves and workshop apron capable of stopping flying debris generated by various operations. The eye protection must be capable of stopping flying debris generated by various operations. The dust mask or respirator must be capable of filtering particles generated by your operations. Prolonged exposure to high intensity noise may cause hearing loss.
9. Keep bystanders a safe distance away from work area. Anyone entering the work area must wear personal protective equipment. Fragments of work piece or a broken accessory may fly away and cause injury beyond immediate area of operation.
10. Hold power tool by gripping insulated surfaces (handle) only, when performing an operation where the cutting accessory may contact hidden wiring or its own cord. Cutting accessory contacting a "live" wire may make exposed metal parts of the power tool "live" and shock the operator.
11. Position the cord clear of the spinning accessory. If you lose control, the cord may be cut or snagged and your arm or hand may be pulled into the spinning accessory.
12. Never lay the power tool down until the accessory has come to a complete stop. The spinning accessory may grab the surface and pull the power tool out of your control.
13. Do not run the power tool while carrying it at your side. Accidental contact with the spinning accessory could snag your clothing, pulling the accessory into your body.
14. Regularly clean the power tools air vents. The motor's fan will draw the dust inside the housing and excessive accumulation may cause electrical hazards.
15. Do not operate the power tool near flammable materials. Sparks could ignite these materials.
16. Do not use excessively oversized sanding disc paper. Follow manufacturer's recommendations when selecting sanding paper. Larger sanding paper extending beyond the sanding pad presents a laceration hazard and may cause snagging, tearing of the disc or kickback.
17. Risk of explosion. Floor sanding can result in an explosive mixture of fine dust and air. Use floor sanding machine only in a well-ventilated area free from any flame or match.

Kickback and Related Warnings

Kickback is a sudden reaction to a pinched or snagged rotating wheel, backing pad, brush or any other accessory. Pinching or snagging causes rapid stalling of the rotating backing pad which in turn causes uncontrolled power tool to be forced in the opposite direction of the backing pad's rotation at the point of the binding.

For example, if an abrasive wheel is snagged or pinched by the work piece, the edge of the wheel that is entering into the pinch point can dig into the surface of the material causing the wheel to climb out or kick out. The wheel may either jump toward or away from the operator, depending on direction of the wheel's movement at the point of pinching. Abrasive wheels may also break under these conditions.

Kickback is the result of power tool misuse and incorrect operating procedures or conditions and can be avoided by taking proper precautions as given below.

1. Maintain a firm grip on the power tool and position your body and arms to allow you to resist kickback forces. Always use auxiliary handles, if provided for maximum control over kickback or torque reactions during start up. The operator can control torque reactions or kickback forces, if proper precautions are taken.
2. Never place your hand near the rotating accessory. Accessory may kickback over your hand.
3. Do not position your body in the area where power tool will move if kickback occurs. Kickback will propel the tool in the direction opposite to the wheel's movement at the point of the snagging.
4. Use special care when working corners, sharp edges etc. Avoid bouncing and snagging the accessory. Corners, sharp edges or bouncing have a tendency to snag the rotating accessory and cause loss of control or kickback.

Additional Rules For Safe Operation

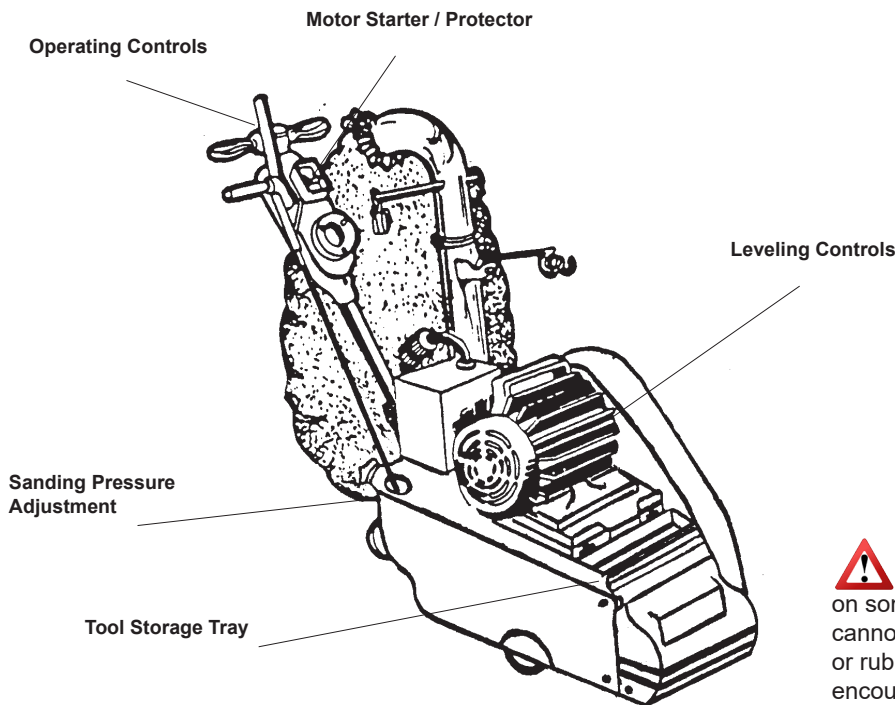
1. Empty the dust bag or dust collection receiver frequently. Do not leave residue in dust bag or dust collection receiver unattended. Always empty in a non-combustible metal container. Sanding wood or varnish produces dust that can self ignite and cause injury or damage. Follow this precaution for storage.
2. Set all exposed nails. Sweep loose abrasive away from work area. Do not strike metal pipes, ect., with sanding paper. Striking metal or abrasive particles with sanding paper produces sparks that could ignite the sanding dust which can cause injury or damage.
3. Do not operate a partially assembled power tool. Keep all adjustments within manufacturer's specifications. Keep all fasteners tight. Operating a partially assembled power tool could result in injury to the operator or bystander and could cause damage to the equipment or surroundings.
4. Do not attempt to change the sanding paper while the power tool is running. The sanding pad can snag clothing and cause injury to limbs and moving sanding paper can cause abrasions.
5. The power tool should only be used on an electrical system (mains) that is rated for the electrical requirements of the power tool as shown on the nameplate. Use only on an earthing (grounded) system. Do not service the power tool if it is energized or connected to an electrical circuit. Improper use could cause fire or electric shock.

Machine Specifications

Model	American 8			
PART NUMBER	07032C	07105A	07048C	07106A
Abrasive Size	8 x 26½" paperback		20.3 x 67.3 cm	
Contact Wheel Speed (rpm)*	2400/2800		2000/2333	
Abrasive Speed (sfm)* (m/min)*	4398/5131 sfm		1117/1303 m/min.	
Dust Fan Speed (rpm)*	6000		5000	
Dust Fan Flow (cfm)*	210 cfm		83 liters/second	
Motor	60 Hz 230V 4hp (3 kW)		50 Hz 240V 3hp (2.2 kW)	
Leveling Control	Externally Adjustable			
Operating Control	Adjustable Lever			
Motor Starter/Protector	Magnetic Circuit Breaker			
Sanding Pressure Adjustment	Infinitely Circuit Breaker			
Wheels (Truck Assembly)	Steel **	Urethane***	Steel**	Urethane***
Wheel (Rear)	Steel	Canvas	Steel	Canvas
Drive	V-Belt			
Dimensions	40½ x 15 x 36		103 cm x 38 cm x 93 cm	
Weight	216 lbs.		98kg	

* revolutions per min. *surface feet per min. *meters per min * cubic feet per min.

Steel (Standard) Urethane or canvas (optional) *Urethane (Standard) Steel or Canvas (optional)



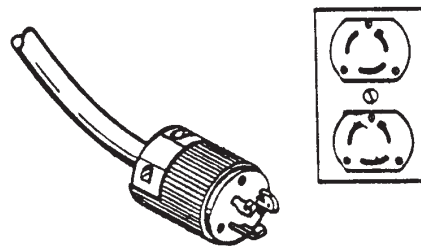
⚠ CAUTION Your equipment may be inappropriate on some installations. Some softer woods used in flooring cannot support the pressure created by hard wheels. A felt or rubber wheel should be used when these woods are encountered. See parts list for optional wheels.

Always consult with the flooring manufacturer on the proper installation, preparation, and finishing of their product. Determine suitability of your equipment in preparing the product.

230V Electrical Connection Instructions

CAUTION: This machine will operate only on AC frequency and on electrical voltage shown on the motor nameplate. Make sure you have the correct frequency and voltage before connecting the power cord to an outlet. The machine has a plug as shown below.

This machine must be connected to an electrically ground circuit in order to protect the operator from electric shock. This machine has an approved power cord with three conductors as well as a plug with three terminals. Connect the plug into a three holed receptacle. For maximum protection against electric shock, use a circuit that is protected by a ground fault circuit interrupter.



DANGER: Electrocutation could occur if the machine is exposed to water or rain. Keep the machine in a dry building.

DANGER: Electrocutation could occur if machine is improperly connected to the electrical system. To prevent possible electric shock, always use a 3wire electrical system connected to an electrical ground. For maximum protection against electrical shock, use a circuit that is protected by a ground fault circuit interrupter. Consult your electrical contractor.

DANGER: Electrocutation could occur if the ground pin is tampered with in any way. Do not cut, remove, or break the ground pin. Do not try to fit a three-terminal plug into a receptacle or connector body other than a three plug receptacle or connector body. If the outlet does not fit the plug, consult your electrical contractor.

DANGER: Electrocutation could occur if the machine is used with a damaged plug or power cord. If the cords or plugs are worn or damaged in any way, have them replaced by an authorized service person or electrician.

Extension Cords

Use only an approved three-pronged extension cord with two main conductors and one earthing conductor. This machine is equipped with a power cord. When greater range is needed follow the table below to determine cable gauge of additional footage. Refer to the chart to the right for extension cord information

Feet/Wire Gauge (Stranded Copper)

Source Voltage	0-100'	100-250'
208	6	Use Voltage Booster
230	10	8

If motor appears to labor or takes a considerable longer time to come up to speed reduce sanding pressure.

Machine Transportation

WARNING: The machine is heavy. Remove the motor from the machine before transporting. Get help loading the machine and motor. Use proper lifting techniques.

To transport the machine, follow this procedure:

1. Make sure the power cable is disconnected from the electrical outlet.
2. Disconnect the handle plug connection. See figure 1.
3. Remove the belt cover.
4. Remove the fan belt.
5. Loosen the motor bolt. Using the $\frac{3}{4}$ " wrench, turn the motor bolt counterclockwise.
6. Using the $\frac{9}{16}$ " wrench, remove the two hex nuts (1).
7. Lower the motor locating screws (2). To lower the motor locating screws, turn the screws clockwise. Make sure the screws are aligned with the openings at the front of the motor platform. See figure 2.
8. Slide the motor forward.
9. Remove the drive belt.
10. Remove the motor from the chassis.

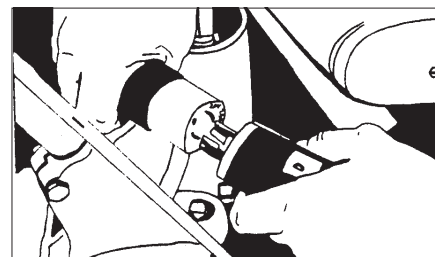


Figure 1

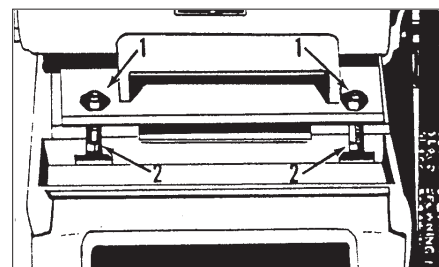


Figure 2

To re-assemble the machine after transporting, follow this procedure:

1. Reposition motor on chassis.
2. Install the drum belt. Slide the motor back until adequate tension is achieved in belt.
3. Resecure the motor to the chassis.
4. Install the fan belt.
5. Install the belt cover.
6. Reconnect the handle plug.

Machine Set-Up

To set-up your machine follow this procedure:

1. Familiarize yourself with the machine and read all danger, warning and caution statements. Make sure all operators of this machine have read this Owner's Manual. If they cannot read English, have the manual explained fully before allowing anyone to operate the sander.
2. Locate the power supply. The receptacle should be compatible with the plug. The receptacle must be grounded and must be fused (30 amp) to avoid an electrical hazard.
3. Clip the dust bag to the elbow. Cross the strings on the dust bag and draw tight over the flare on the elbow. Wrap the string around the elbow and secure.
4. Wind the power cord through the cable arm. Keep the power cord out of path of equipment.

How To Install The Abrasive

 **WARNING:** Disconnect power before changing abrasive.

To install the abrasive, follow this procedure:

1. Prepare abrasive with template supplied.
2. Place backing of abrasive on the template. The template is marked "This Side Up." Make sure the marked side of the template is facing up.
3. Cut the abrasive to the exact length of the template.
4. Align one edge of the abrasive with a notch in the template.
5. Fold the other end of the abrasive over the end of the template and crease.
6. Repeat steps 4 and 5 for remaining notch.
7. Lift the drum cover.
8. Put the smooth side of the abrasive against the sanding drum.
9. Put one end of the abrasive against the sanding drum slot (1). See figure 3.
10. Turn the drum one revolution. Put the other end of the abrasive in the drum slot (2). See figure 3.
11. Tighten the abrasive.

To tighten the abrasive, follow this procedure:

- a. The end wrenches are given with the machine. Put a wrench around the nut at each end of the drum (1). See figure 4.
 - b. Make sure the flat sides of the nuts are parallel with the drum slot.
 - c. Turn the wrenches the opposite rotation until the abrasive is tight against the drum (2). See figure 4.
12. Remove the end wrenches.
 13. Close the cover.

NOTE: When using #4 or 4½ grit abrasive, remove the large grains from the folded ends. To remove the grains, rub the folded ends together

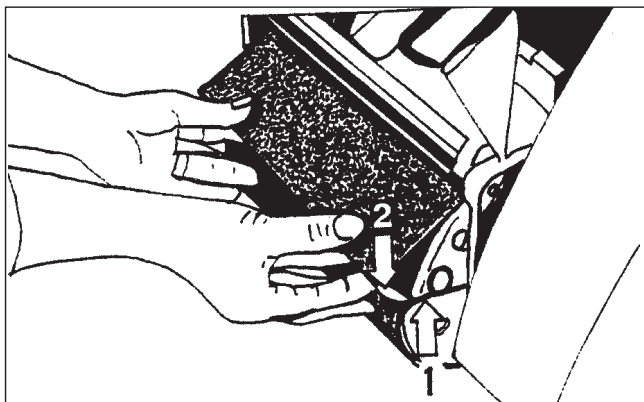


Figure 3

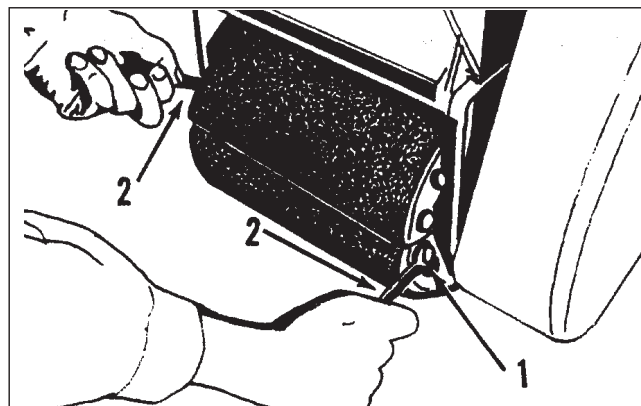


Figure 4

Machine Set-Up

Initial Cut:

The purpose of the initial cut is to remove old finish and gross imperfections on the floor surface. The sanding equipment should be adjusted to heavy sanding pressure setting and a coarse abrasive should be used. If the surface is severely damaged by deep scratches, pre-existing dwell marks, uneven planks, etc., it may be necessary to sand across or diagonally to the grain to restore evenness to the surface. If these conditions are not present, the initial cut should be done in the direction of the grain. If glazing, loading, or burning takes place immediately into an initial cut, select a coarser abrasive. If this should occur during an initial cut, the abrasive has dulled and must be replaced.

Final Cuts:

The purpose of a finishing cut is to remove the scratches produced during the initial cut. Use a fine (60 - 80 grit) grain abrasive and a reduced sanding pressure setting. If the surface remains rough after a finishing cut, it may be necessary to use an even finer grain of abrasive (80 - 100 grit). Care should be taken in selecting the grit size of the abrasive. A very fine grain will close the pores on a wood floor making admission of a stain difficult. If glazing or burning should occur immediately into a finishing cut, reduce the sanding pressure. If it should occur during a finishing cut, the abrasive has dulled and must be replaced.

Chatter - Wave Prevention

American Sanders are designed and manufactured to the most rigid tolerances. However, after a finishing cut it is possible to see "chatter" or "waves". The best guarantee to remove the chatter is to finish the floor with a rotating horizontal sander, such as American Sanders's Sander 16.

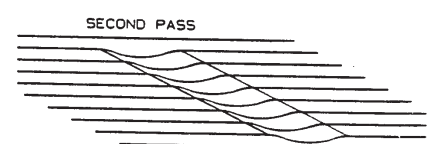
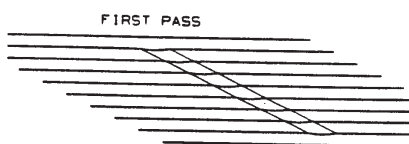
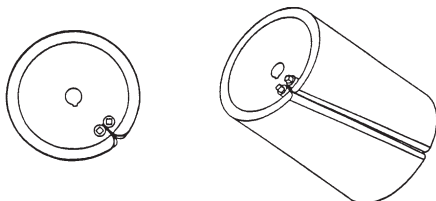
To minimize chatter when using a belt or drum sander the following steps should be taken:

- 1) **DRUM PAPER...** insure the paper is secured in the slot, **but not too tight**. Paper that is too tight will force the drum slot **wider**, leaving a "slot mark chatter" on the floor.
- 2) **DRUM MARKS...** are caused by the operator lowering the drum to the floor without forward traverse. These marks should be removed by **cutting at a 45 degree angle to the mark**. Cutting at the mark while maintaining the same path will only increase the mark depth and width.
- 3) **UNEVEN WALKING PACE...** can leave lengthy "waves". The machine cuts more material during the slower pace. Pay particular attention to a steady, even pace.
- 4) **EXCESSIVE LIGHT CUTS...** may reveal high spots on the paper/contact wheel and cause chatter. Take a heavier cut and increase the pace.
- 5) **DEBRIS...** lodged between the paper and the drum **will leave chatter**. On a belt sander, debris may be adhered to the drum. Insure the drum is clean and free of debris before placing the paper on.
- 6) **SANDER PAPER QUALITY...** may vary. Belt seams can be thicker on low quality paper and cause chatter. Use only American Sanders specified sandpaper.

PROPER CARE OF YOUR MACHINE CAN MINIMIZE CHATTER AND WAVES

- 1) **V-BELTS...** can cause vibration and chatter if they are of low quality. Use only belts specified by American Sanders.
- 2) **TRUCK AND CASTER WHEELS...** with flat spots, out-of-roundness, or debris adhered to their surface can cause "waves" or a "chatter effect". Always clean and inspect all wheels before starting to sand, and before the finish cut. Replace or true the wheels if found to be out-of-round.
- 3) **DUST PICK-UP SHOES.....** may need adjusted differently for different materials that are to be sanded. An improperly adjusted shoe will leave trailing debris that will be run over by the wheels and cause "random waves".
- 4) **CONTACT WHEELS (DRUMS)...** may be out-of-round and cause "chatter". Contact your American Sanders dealer for assistance to true or replace the drum.
- 5) **BEARINGS...** in the motor, drum, or fan system may become worn and induce vibration which could cause "chatter".
- 6) **PULLEYS...** that are damaged or severely worn can induce vibration and cause "chatter". Contact your American Sanders dealer for assistance.

American Sanders is not responsible for rework of floors that are unacceptable to the customer. It is your responsibility to insure your equipment is in proper operating order, and that you use the right machine for the job.



Operating Instructions



DANGER: Sanding/finishing wood floors can create an environment that can be explosive. Cigarette lighters, pilot lights and any other source of ignition can create an explosion when active during a sanding session. All sources of ignition should be extinguished or removed entirely if possible from the work area.



DANGER: Work areas that are poorly ventilated, can create an explosive environment when certain combustible materials are in the atmosphere, i.e., solvents, thinners, alcohol, fuels, certain finishes, wood dust and other combustible materials. Floor sanding machines can cause flammable material and vapors to ignite. Read the manufacturer's label on all chemicals used to determine combustibility. Keep the work area well ventilated.



DANGER: Sanding dust can self ignite and cause an injury or damage. Remove the contents of the dust bag each time you finish using the machine. Always dispose of the dust in a metal container located outside of the building. Never leave a dust bag unattended with sanding dust in it. Empty the contents frequently. Do not empty the contents of the dust bag into a fire.



DANGER: Hitting a nail while sanding can cause sparks and create an explosion or fire. Always use a hammer and punch to countersink all nails before sanding floors.

To operate the machine follow this procedure:

1. Install the operator's belt as follows:
 - a. Position the operator's belt around waist.
 - b. Cross the straps at the waist. See figure 5.
 - c. Slide the belt loop end over the handle on the control lever side. Adjust the length as needed.
 - d. Wrap the remaining strap around the opposite side of the handle and hold it in place with your hand.



WARNING: Should quick release of the machine be necessary, serious operator injury could occur if the operator has tied the loose end of the operator's belt strap to the machine. Always position the strap so that you can let go and get away quick in case of bag fire or explosion.

2. Put the On/Off switch into the "ON" position.



DANGER: Serious damage can occur to the floor surface if the machine is not in motion while the contact wheel is running on the floor surface. To prevent damage to the surface, make sure the machine is always moving when the contact wheel is in contact with the floor.

3. Work right to left. For each forward pass, move the machine over the pass you have just finished. Retrace your reverse path without overlapping. See figure 6.
4. Feather-cut in by easing the contact wheel down onto the surface with the control lever while the sander is in motion.
5. When contact wheel is fully engaged with the surface, gradually adjust your pace for adequate finish removal. Keep sander in motion while the contact wheel is engaged with the surface or dwell marks will occur.
6. Move the machine in the direction of the grain in the wood whenever it is possible. Sand the surface at a constant pace.
7. Gradually feather-cut out at the termination point (the end of your pass) by easing the contact wheel up with the control lever. Stagger the termination points for a better blend when edging. Figure 5
8. Empty dust bag whenever it is 1/3 full. Never leave a dust bag unattended with sanding dust in it. Sanding dust can spontaneously ignite and cause a fire or explosion. Empty dust into a metal container located outside of the building. To operate the machine follow this procedure.

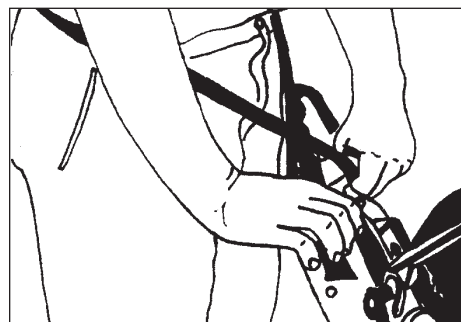
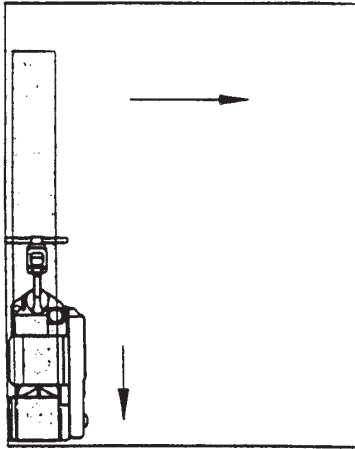
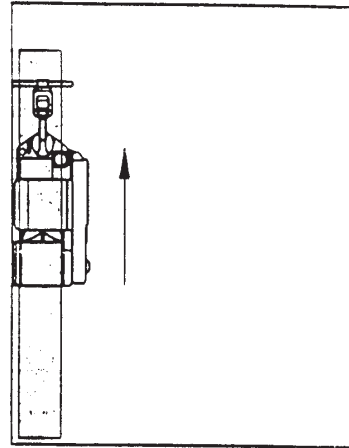


Figure 5

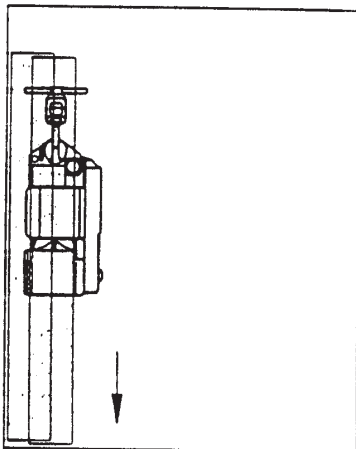
Operating Instructions



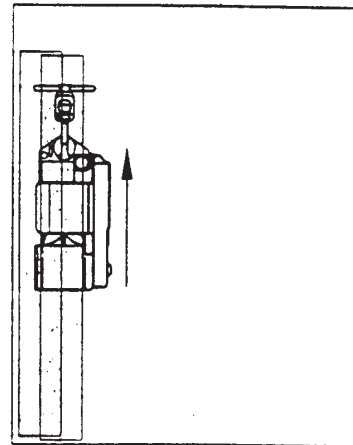
A. First pass forward, right to left.



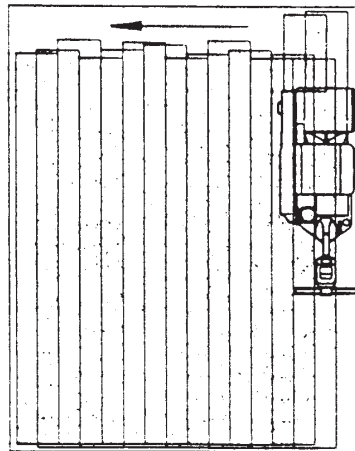
B. First pass reverse, retrace same path.



C. Second pass forward, overlap $\frac{1}{2}$ the drum width.



D. Second pass reverse, retrace second path forward, etc...for the entire room.



E. Work the remaining unsanded floor in the same fashion, right to left.

Figure 6

Sander Adjustment Procedures



DANGER: Electrocutation could occur if maintenance and repairs are performed on a unit that is not properly disconnected from the power source. Disconnect the power supply before attempting any maintenance or service.



DANGER: Moving parts of this machine can cause serious injury and/or damage. Keep hands, feet and loose clothing away from all moving parts of the sander.

Sanding Pressure

To adjust the sanding pressure follow this procedure:

1. Screw the sanding pressure knob down to increase the sanding pressure when making the roughing in cut.
2. Screw the sanding pressure knob up to decrease the sanding pressure when making the finishing cut.

Drum Rates

The machine can be operated at two rates. To change the speed of the drum, follow this procedure:

1. Remove the belt cover.
2. Remove the fan belt.
3. Loosen the motor bolt.
4. Remove the hex nuts at the front of the motor.
5. Using the 5/32" Allen wrench, lower the motor locating screws.
6. Slide the motor forward.
7. For high drum rates, install drive belt in larger diameter of the grooves available on the motor pulley and in the smaller diameter of the two grooves available on the drum pulley. For lower rates, install drive belt in smaller diameter of the grooves available on the motor pulley and in the larger diameter of the two grooves available on the drum pulley.
8. Tighten belt and secure motor to chassis.
9. Install the fan belt.
10. Install the belt guard.

Sander Adjustment

Leveling

If the sanding drum is out of adjustment, follow this procedure:

1. Remove the belt cover.
2. Loosen the eccentric lock screw. Using the 7/16" wrench, turn the eccentric lock screw (1) counterclockwise. See figure 7.
3. To raise or lower the drum, turn the eccentric (2). See figure 7.
4. Tighten the eccentric lock screw. To tighten the eccentric lock screw, turn the screw clockwise.
5. Install the belt cover.

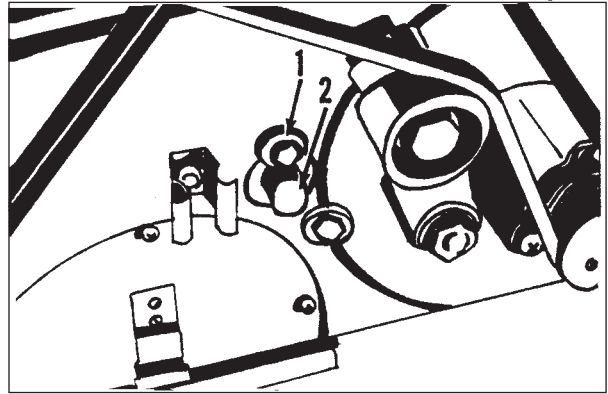


Figure 7

How to Lubricate the Wheel Pivots

NOTE: The wheel pivots must be lubricated after every 25 hours of use.

To lubricate the wheel pivots, follow this procedure:

1. Put the machine on its side.
2. Lubricate the pivots. The pivots are behind the truck wheels. See figure 8.
3. Put the machine on its wheels.

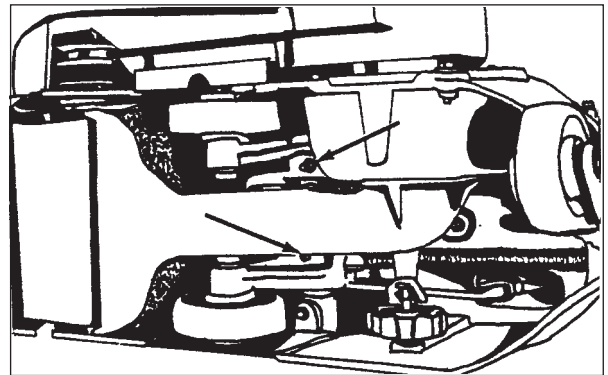


Figure 8

Operating Control

To **increase** the travel or extend the reach on the grip control follow this procedure:

1. Loosen the locknut on the control rod. See figure 9.
2. Screw the control rod adjuster **in** until the desired reach is found.
3. Tighten the locknut.

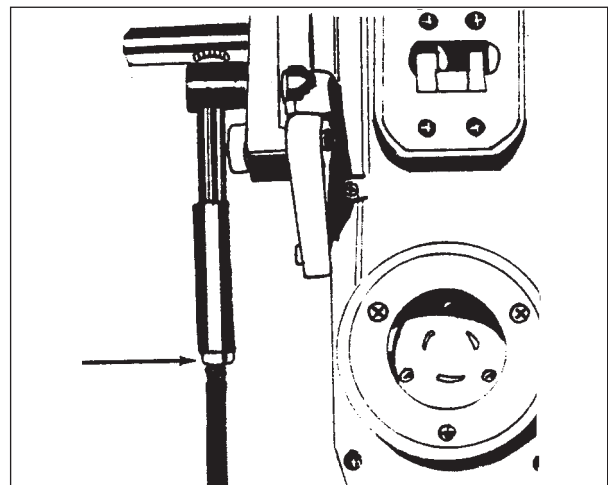


Figure 9

To **decrease** the travel or reduce the reach on the grip control follow this procedure:

1. Loosen the locknut on the control rod. See figure 9.
2. Screw the control rod adjuster **out** until desired reach is found.
3. Tighten the locknut.

Routine Maintenance

The following items need to be periodically inspected and maintained to keep your sander in good working condition.

Wheels

Periodically remove the debris from the truck and caster wheels. Debris can cause waves on a sanded surface. Lubricate truck mechanism every 25 hours of use. The machine is equipped with lubrication fittings and are located on shaft supporting mechanism.

Dust Bag

Remove the dust bag from the machine and shake it thoroughly to remove the sanding dust from the dust bag. Turn the dust bag inside out and machine wash in cold water to prevent pore blockage and loss of dust recovery.

Drive Belt

Periodically check the drive belt tension.

Bearings

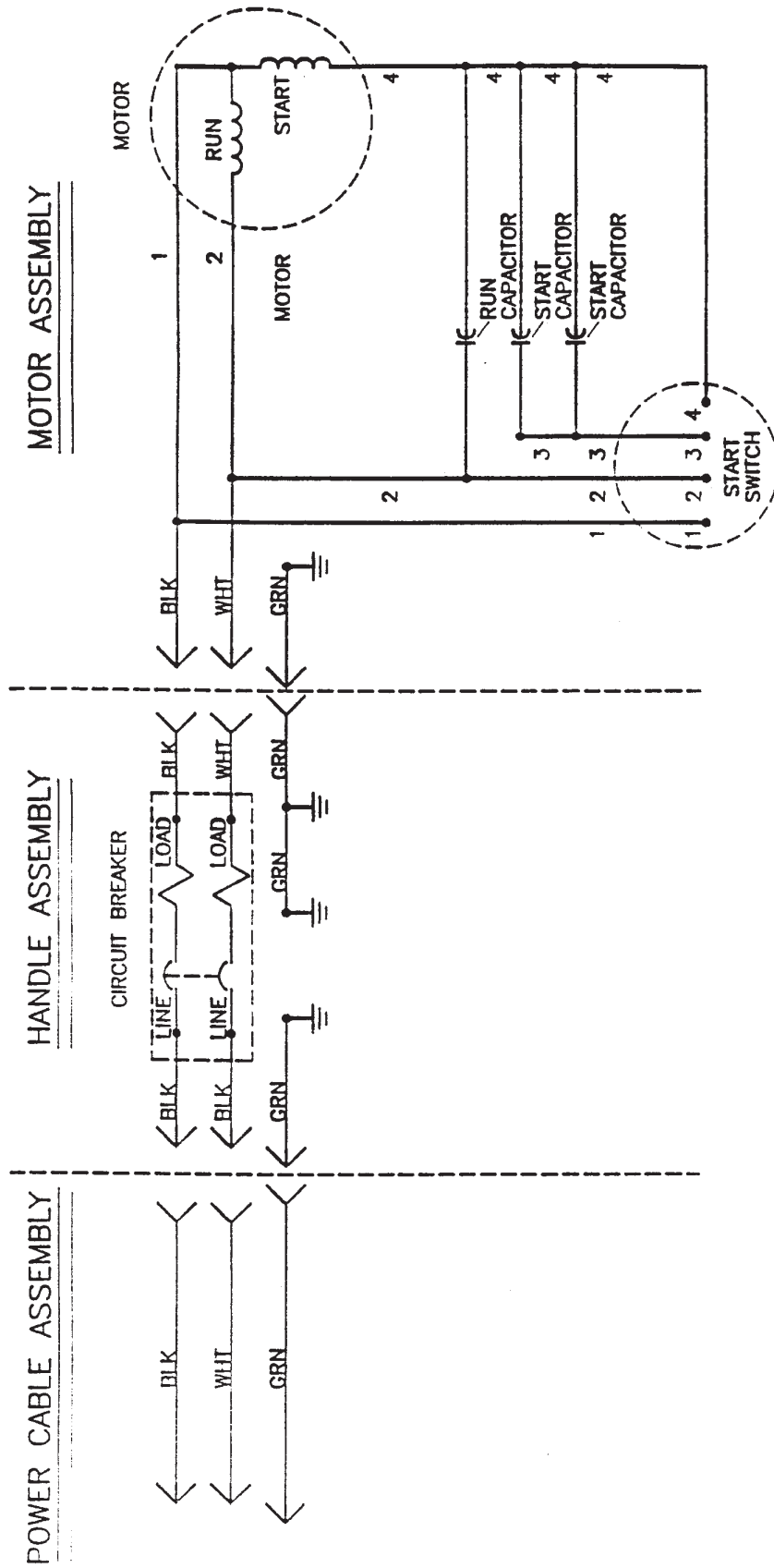
Periodically check the bearings for wear or damage according to the following schedule:

<i>Idler pulley</i>	after 1st 1500 hrs.
<i>Fan shaft</i>	after 1st 2500 hrs.
<i>Arbor shaft</i>	after 1st 5000 hrs.
<i>Motor shaft</i>	after 1st 5000 hrs.

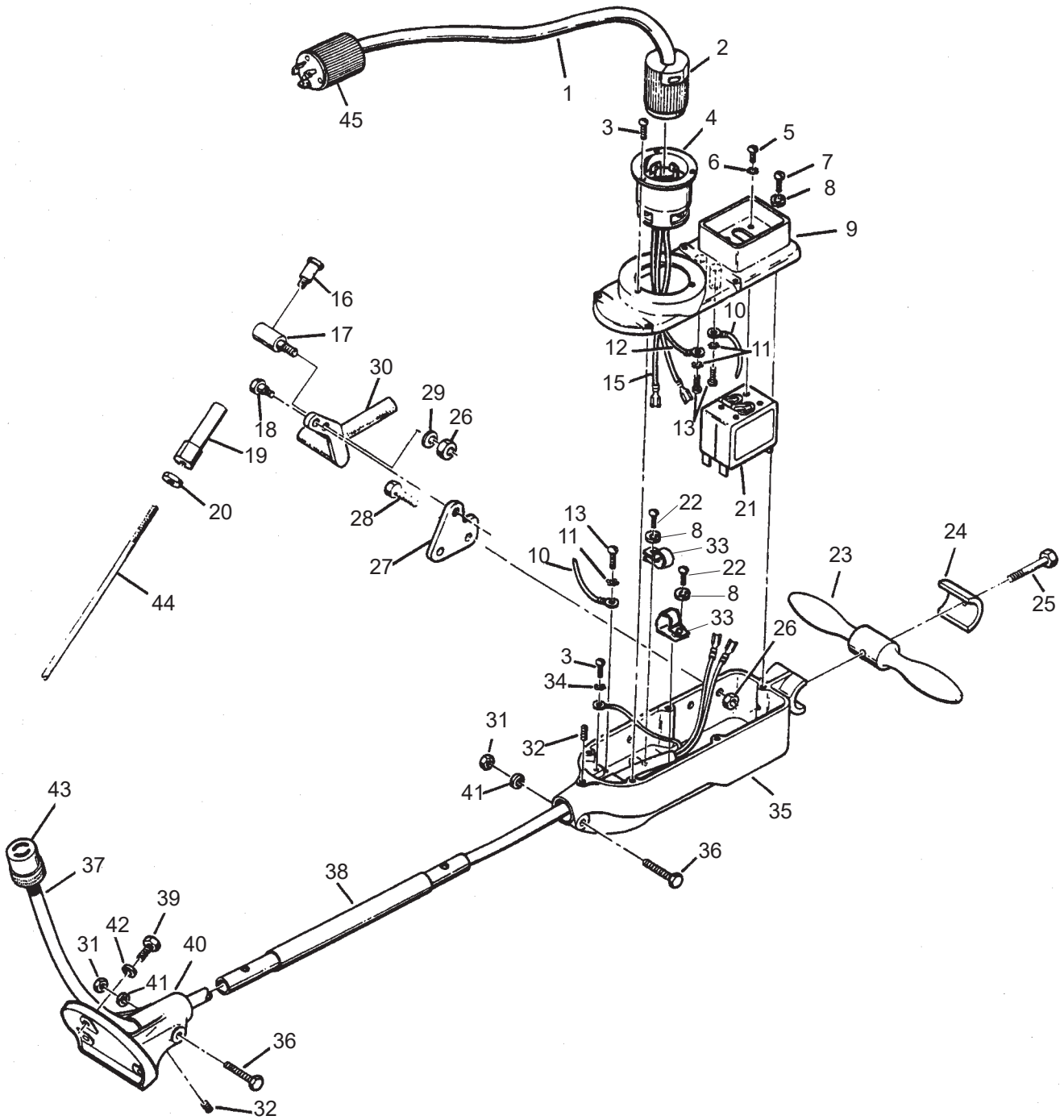
Troubleshooting

Problem	Cause	Action
Drive belts slip. (Squeaking or squealing sound)	Insufficient tension. Worn belts.	Tension drive belts Replace belts.
Squealing, growling or grinding noise coming from machine.	Damaged and/or worn bearing.	Remove drive belts, rotate arbor motor, fan, shafts and idler pulley to located ragging or rough bearing Contact an authorized dealer.
Dust pick-up is poor.	Dust bag is over 1/3 full. Dust bag is dirty. Dust chute is obstructed	Empty contents of bag. Shake debris from bag and wash. Remove fan cover and clear throat.
Motor will not start.	Defective motor starter. Defective start capacitor. Defective electronic starts switch. Defective motor No power	Contact an authorized dealer. Contact an authorized dealer. Contact an authorized dealer. Contact an authorized dealer. Check power supply and connection. s
Motor runs sluggishly.	Low voltage from excessive footage, under sized extension cord, or poor connection Defective run capacitor Defective motor	Locate power source nearer to work site. Decrease sanding pressure. Contact an authorized dealer Contact an authorized dealer
Motor starter trips/repeatedly trips.	Excessive load. Defective electronic start switch. Defective motor starter Low voltage from poor connection. Defective motor Defective capacitor.	Contact an authorized dealer. Contact an authorized dealer Contact an authorized dealer. Contact an authorized dealer. Contact an authorized dealer. Contact an authorized dealer.
Uneven cut.	Leveling out of adjustment.	Readjust leveling.
Burning or glazing.	Dull abrasive Excessive sanding pressure Too fine of an abrasive.	Replace abrasive Decrease sanding pressure setting. Use coarser abrasive
Slow cutting.	Dull abrasive Too fine of an abrasive Insufficient sanding pressure.	Replace abrasive Use a coarser abrasive Increase sanding pressure setting.
Waves on sanded surface.	Debris on wheel. Flat spot on tire(s).	Remove and clean wheels. Replace tires.
Chatter marks on sanded	Drum out of round. surface (close evenly spaced) Drum vibration. from surface or ends of drum.	Contact an authorized dealer. or replace the drum. Change shim combination. Remove debris

Wiring Diagram



Handle Assembly

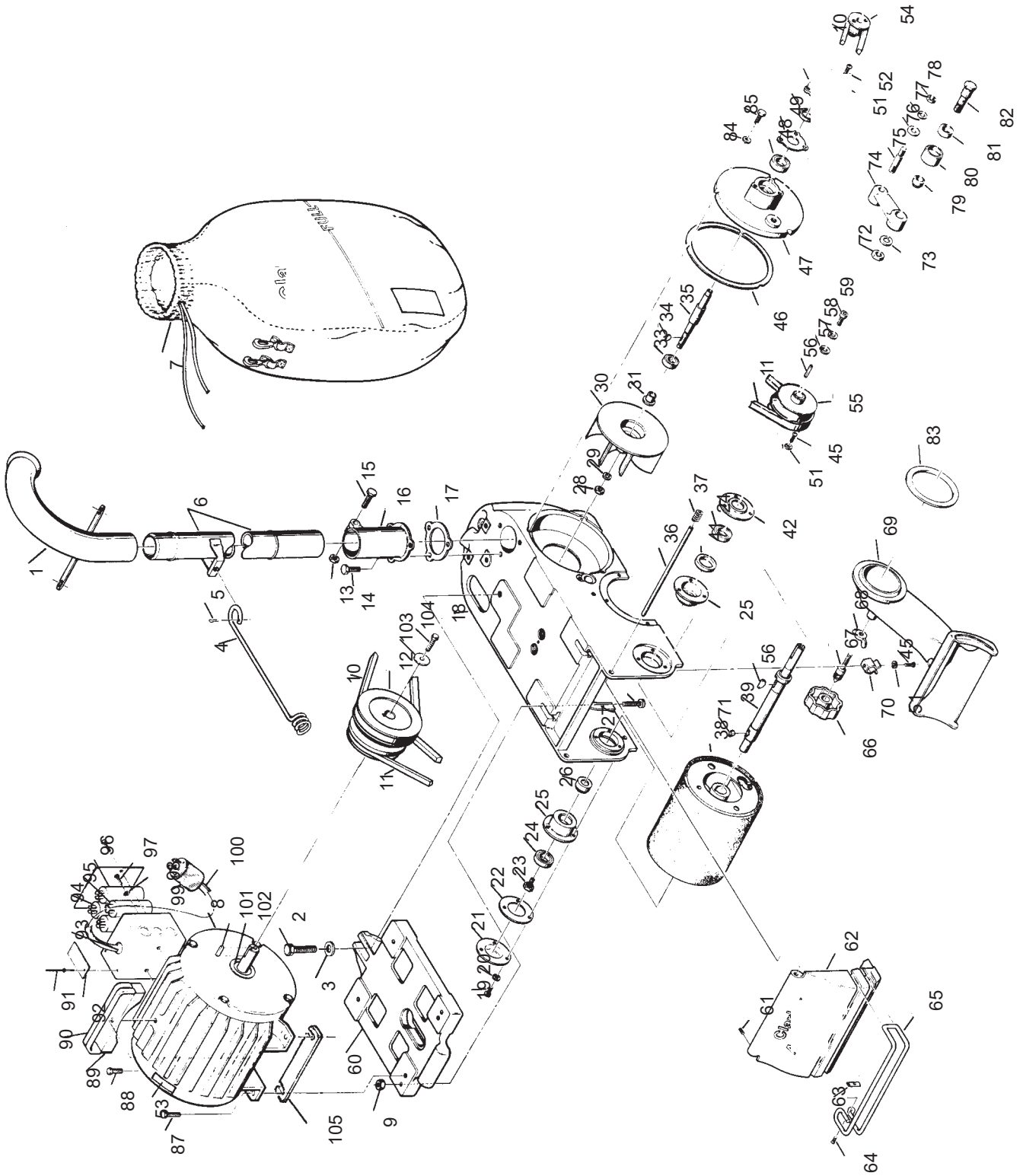


Handle Assembly

Item	Ref. No.	Qty	Description
1	ref	1	Cord Set
2	41706A	1	Connector
3	962065	4	Screw- 8-32 x ¼ Pn St Mach
4	43501A	1	Inlet - 20A, 250V
5	962070	4	Screw- 6-32 x ¼ PnS t Mach
6	980607	4	Washer - #1106 Shakeproof
7	962794	5	Screw- 10-24 x 1
8	980650	7	Washer - ⅜ Lock
9	22127C	1	Cover- Switch Housing
10	48901A	1	Wire Assembly - Green
11	980699	3	Washer- #1210 Shakeproof
12	48900A	1	Wire Assembly Ground
13	85393A	3	Screw- 10-24 x ¼ Pn St Mach
15	49023A	2	Wire Assembly - Black
16	80021A	6	Bolt ⅜ x ⅝
17	66151A	1	Pivot Control Rod
18	80022A	1	Bolt, Shoulder ½ x ⅝
19	67129A	2	Adjuster, Control Rod
20	920148	1	Nut ⅜ -16
21	41411A	1	Switch- Circuit Breaker
22	85517A	2	Screw- 10-24 x ½
23	64405A	1	Handle - Steering
24	21904C	1	Clamp
25	85818A	1	Screw ⅝ -18 x 2½ Hex St
26	920284	2	Nut ¼-20
27	66694A	1	Plate, Control Lever
28	85393A	2	Screw ¼-2 x 1¼
29	980646	1	Washer ¼
30	25602A	1	Lever, Control
31	920256	3	Nut- ⅝-18 Hex
32	86200A	2	Screw ⅝ -16 x ⅝ St St Dogpt
33	51074A	2	Clamp-Cord
34	980621	1	Washer- .1681 x .3700 SH 1108
35	20704C	1	Housing- Switch
36	85816A	2	Screw- ⅝ -18 x 1¼
37	41917A	1	Cord - Interconnecting
38	66116C	1	Pipe - Handle
39	962288	3	Screw- ⅝ -16 X 1" Hex St Mach
40	21105C	1	Mount - Handle
41	980652	2	Washer- ³¹⁹ / ₁₀₀₀ X ²³⁹ / ₅₀₀ X ³⁹ / ₅₀₀ St Lk
42	980638	3	Washer - ⅝ Lt Spring Type
43	41707A	1	Connector
44	67143A	1	Rod Control
45	45608A	1	Plug
[]	56380639	1	Decal, Prop 65

[] = Not Shown

Base Assembly - 1

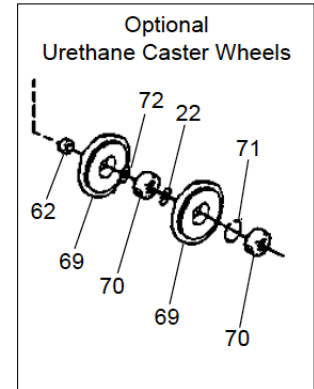
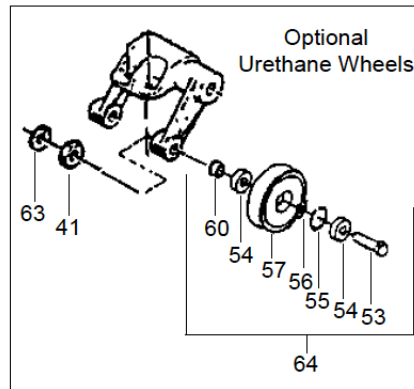
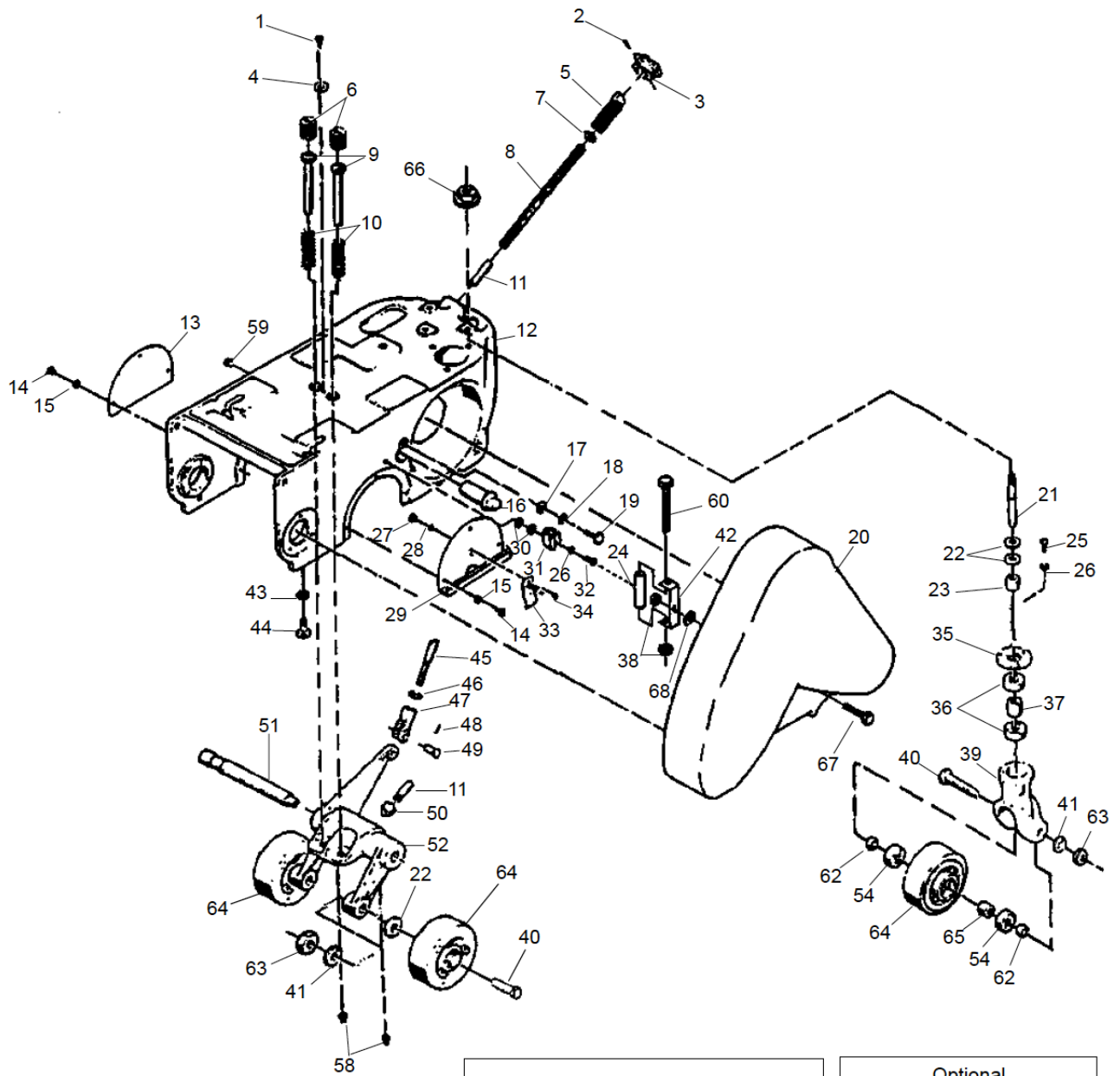


Base Assembly - 1

Item	Ref. No.	Qty	Description	Item	Ref. No.	Qty	Description
1	62800A	1	Pipe - Assembly	52	962823	3	Screw - ¼ - 20 x ½ Pn St Mach
2	85706A	1	Screw - ½ - 13 x 1¼ Hex St	53	77234A	1	Label, Lifting Warning
3	87006A	1	Washer - 1½ X 1 19/60 X 1 1/100 Flat	54	66169A	1	Pulley - Fan Shaft
4	60401A	1	Arm-Cable	55	66167A	1	Pullet Drum
5	925036	1	Pin - Cotter	56	80501A	2	Key - 5/16 Sq. x 1¼
6	66110A	1	Pipe Assembly	57	68703A	1	Washer Drum Pulley
7	50954A	1	Dust - Bag	58	980652	1	Washer - 319/1000 X 293/600 X 39/600
8	44639A	1	Motor 230/60	59	962258	1	Screw - 5/16-18 x 1" Soc Cap
	44640A	1	Motor 240/50	60	AS019300	1	Platform Motor
9	920260	2	Nut- 3/8-16 x 5/16 Hex	61	962262	1	Screw - 8-32 x ¼ St St Cup Pt
10	50920A	1	Belt-V	62	22101A	1	Cover-Drum
11	51024A	1	Belt-V	63	62404A	1	Clamp- Bumper Rear
12	66168A	1	Pulley- Motor	64	962348	1	Screw- 10-24x ½ Flat St Cap
13	920256	1	Nut 5/16 - 18 Hex	65	31210A	1	Bumper - Drum Cover
14	85820A	3	Screw- 3/8-16 x 5/8 Hex St Cap	66	26900A	1	Ring - Lock-Pan-Dust
15	85816A	1	Screw- 5/16-18 x 1¼ Hex St Flt	67	67311A	1	Screw
16	27801C	1	Support - Dust Pipe	68	81900A	1	Nut - 7/16 -14 Hex St
17	34223A	1	Gasket - Pipe Support	69	26100A	1	Pan - Dust
18	23405B	1	Frame - Main	70	61600A	1	Clip - Dust
19	962016	3	Screw- 10-24 x ½ Pn St Mach	71	65301A	1	Key #606
20	980650	3	Washer - 19/100 x 17/60 x 1/25 Lock	72	920280	1	Nut- 5/8 -18 x 3/8 Hex Jam
21	62608C	1	Cover - Housing Drum	73	87102A	1	Washer - 31/60 x 1 1/100 x 1/25
22	54305A	1	Gasket	74	20400B	1	Arm Idler
23	67316A	1	Screw- Drum Lock	75	68000A	1	Stud - Idler
24	51110A	2	Bearing- Ball	76	87005A	1	Washer - 13/25 x 1 Flat
25	64703A	2	Housing- Bearing Shaft	77	87101A	1	Washer - ½ Lock
26	67811A	1	Spacer - Drum	78	920132	1	Nut- ½-20 Hex Jam
27	69032A	2	Screw - Motor Locating	79	67813A	1	Spacer - Idler Bearing
28	81202A	1	Nut - 7/16-14H exL .H.	80	67701A	1	Sleeve- Idler
29	87002A	1	Washer - 47/100 x 47/60 x 3/60 Flat St	81	902550	1	Bearing
30	23301A	1	Fan	82	67317A	1	Shaft-Idler
31	61602A	1	Collar	83	34222A	1	Gasket - Pan Dust
33	902567	1	Bearing Ball	84	980651	3	Washer - 1 1/2 x 1 1/60 x 1/16
34	65302A	1	Key - 1/8 x 1/2 #3 Woodruff	85	85811A	3	Screw- 3/8-18 x 3/4
35	67411A	1	Shaft-Fan	86	962103	2	Screw- 5/16-18 x 3/8
36	67414A	1	Shaft- Drum Cover	87	962216	4	Screw- 3/8-16 x 1/4
37	67911A	1	Spring	88	962870	1	Screw- 3/8-16 x 1
38	13501A	1	Drum-RM	89	64460A	1	Handle Motor
39	67425A	1	Shaft Drum	90	32357A	2	Cover Handle
[]	18601A	1	Shaft Assembly Drum(includes 56, 39, 71)	91	930087	2	Rivet
41	67313A	1	Spacer - Drum Bearing	92	74044A	1	Plate Safety
42	66918A	1	Retainer - Bearing	93	697502	1	Strain Relief
45	962983	4	Screw- ¼-20 x 5/8 Pn St Mach	94	41305A	2	Capacitor Start
46	34225A	1	Gasket - Plate Support	95	41304A	1	Capacitor Run
47	26503C	1	Plate Support - Fan	96	47378A	1	Switch Start
48	51111A	1	Bearing Ball	97	962823	2	Screw- ¼-20 x ½
49	62001A	1	Cap-Bearing	98	980614	2	Washer
[]	38109A	1	Seal Dust Pipe	99	45604A	1	Plug Locking
51	980657	7	Washer - 17/64 l x 31/64 0 x 1/8	100	41945A	1	Cord Motor
				101	915098	1	Key ¼-52 x 1½
				102	57712A	1	Ring Retaining
				103	87034A	1	Retainer Pulley
				104	962288	1	Screw 3/8-16 x 1
				105	67642A	4	Shim, Motor
							Motor Parts Not Illustrated
				[]	50563A	1	End Bell
				[]	52768A	1	Front Cover
				[]	53998A	1	Fan
				[]	52769A	1	Fan Cover
				[]	51188A	1	Bearing Front
				[]	902547	1	Bearing Rear
				[]	40316A	1	Armature Assembly

[] = Not Shown

Base Assembly - 2



Base Assembly - 2

Item	Ref. No.	Qty	Description	Item	Ref. No.	Qty	Description
1	962052	1	Screw - 10-24 x 1/2 Fit St Mach	37	67821A	1	Spacer
2	962161	2	Screw - 10-24 x 3/4 St St Cuppt	38	81102A	2	Nut, 1/4-20 ESNA
3	25200C	1	Knob - Hand	39	29403C	1	Yoke, Wheel
4	66912A	1	Retainer, Screw Adjusting	40	60101A	3	Axle
5	67309A	1	Screw	41	87101A	3	Washer
6	67315A	2	Screw	42	51071A	1	Bracket, Latch
7	87000A	1	Washer	43	920160	1	Nut 5/16 -18
8	67905A	1	Spring	44	86201A	1	Screw 5/16 -18 x 1"
9	66123A	2	Plunger, Spring	45	67143A	1	Rod, Control
10	67906A	2	Spring	46	920260	1	Nut 3/8 -16 x 5/16
11	67107A	1	Rod- Pivot	47	53917B	1	Clevis, Control Rod
12	23405B	1	Frame, Main	48	925036	1	Pin, Cotter 3/32 x 3/4
13	66628C	1	Plate, Cover Wheel	49	66503A	1	Pin, Fork
14	962015	6	Screw, 10-24 x 3/8 Pn St Mach	50	62000A	1	Nut, End
15	980650	6	Washer, Lock	51	67412A	1	Shaft, Control
16	62801A	1	Eccentric	52	21101A	1	Bracket, Truck Wheel
17	87007A	1	Washer, Control Shaft Eccentric	53	60547A	2	Axle NOTE 1
18	980614	1	Washer, #1114 Shakeproof	54	56106070	6	Bearing, Ball
19	85700A	1	Screw, 1/4-20 x 1" Hex	55	167312	2	Ring, Retainer NOTE 1
20	70224B	1	Kit Guard, Belt	56	NB075100	2	Washer, 5/8 ID X 1 OD X 1/40 NOTE 1
21	60715B	1	Bolt, Pivot	57	50992A	2	Wheel, Asm. NOTE 1
22	87003A	4	Washer, 59/100 x 1 x 5/100 Flat	58	54000A	2	Fitting, Lub
23	67812A	1	Spacer, Bracket	59	57101A	1	Plug, Soft
24	51069A	1	Tube, Latch	60	60544A	2	Spacer
25	962823	3	Screw, 1/4-20 x 1/2 Pn St Mach	62	67810A	2	Spacer
26	980657	4	Washer, 17/64 l x 3/64 O x 1/16	63	920196	3	Nut, 1/2- 13
27	920112	2	Nut, #6-32 Hex	64	59928A	3	Wheel (Steel) NOTE 2
28	980607	2	Washer, #1106 Shakeproof	[]	10243A	-	Kit, Wheel (Urethane)(Optional)
29	66627A	1	Cover, Truck Wheel	65	67817A	1	Spacer NOTE 2
30	87004A	2	Washer, Fit St	66	81209A	1	Nut, 1/2-13 Flange
31	61600A	1	Clip, Dust 5	67	85806A	1	Screw, 1/4-20 x 3/4
32	962983	1	Screw, 1/4-20 x 5/8 Pn St Mach	68	87007A	1	Washer, 1/4-3/4 x 59/1000
33	63904A	1	Clamp, Belt Guard	69	61333A	2	Wheel, Caster 4" NOTE 1
34	85313C	2	Screw, 6-32 x 3/8 Pn St Mach	70	51226A	4	Bearing NOTE 1
35	66913A	1	Retainer Bearing	71	747304	2	Ring, Retaining NOTE 1
36	51112A	2	Bearing, Ball	72	61355A	2	Spacer NOTE 1

[] = Not Shown

NOTE 1: Only used on models 07105A & 07106A.

NOTE 2: Only used on models 07032C & 07048C.

Accessories

Ref. No.	Qty	Description
53560A	1	Operators Leather Belt
59810A	2	Wrench, End 5/16 x 7/16
59815A	1	Wrench 5/32
64415A	1	Handle-Carrying
42201A	1	Cordset- Hard Service 100FT
42200A	1	Cord Set-Hard Service
68315A	1	Template
56383241	3	Steel Wheel AM 8/12 Asm Kit
10243A	3	Wheel Asm Urethane
30088A	1	Skid Transport

Limited Warranty

American 8

TO QUALIFY FOR THIS WARRANTY

- (1) Machine must be registered within 30 days from the time of purchase on a form provided by American Sanders. Your American Sanders Distributor is responsible for the registration of your machine. Please cooperate with your Distributor in supplying necessary information on the card.
- (2) The machine must have been purchased from American Sanders or an authorized American Sanders Distributor.
- (3) This warranty extends to the original purchaser only and is not transferable to subsequent owners.

TIME PERIODS

ONE (1) YEAR WARRANTY - For the EZ-Sand. Warranted to be free from defects in material and workmanship for a period of one (1) year from the date of purchase by the original owners. (See Exclusions)

EXCLUSIONS (*Not Covered by Warranty*)

- (1) Expendable wear items and parts that fail through normal wear by reason of their characteristics (cords, pads, grip face, wheels, carbon motor brushes, filters, bags, bearings, or other consumable parts).
- (2) This warranty does not extend to parts affected by misuse, neglect, abuse, accidents, damage in transit, overloading the capacity of the machine, failure due to lack of proper maintenance or care as described in the operating and maintenance instructions. All defective parts must be returned to the distributor for credit.
- (3) Minor adjustments, such as tightening of screws or bolts not connected with the replacement of parts, are not covered.
- (4) Repairs or alterations by an organization other than the factory or an Authorized Service Center are not covered and will void any American Sanders warranty as to the parts or systems repaired or altered by a non-authorized organization.

THE OBLIGATION OF AMERICAN SANDERS

- (1) The obligation of American Sanders under this warranty is limited to repairing or replacing, at its option, any part which is proven to be defective in material or workmanship under normal use for the applicable period stated above.
- (2) Warranty repairs will be made by your American Sanders Distributor without charge for parts and labor. They will be compensated with a warranty labor rate of \$45.00 per hour, for the first year of ownership.
- (3) Parts repaired or replaced under this warranty are warranted only during the balance of the original warranty period. All defective parts replaced under these warranties become the property of American Sanders.

WARRANTY SERVICE

To obtain warranty service, take your machine and proof of purchase to any authorized American Sander Distributor. American Sanders will not reimburse expenses for service calls or travel. For the Distributor in your area, call American Sanders Customer Service Department at 800-367-3550 or 336-372-8080. If you are dissatisfied with the service that you receive, call or write American Sanders Customer Service Department for further assistance.

INSTRUCTIONS AND CONDITIONS FOR WARRANTY REIMBURSEMENT

- Order replacement part: Orders will be processed and charged, as normal procedure.
- Call American Sanders for R/A number.
- You will need the Machine Serial Number and the Machine Model Number.
- Parts must be returned, accompanied with the R/A number to be eligible for warranty credit.
- All Warranty Parts will be shipped prepaid UPS Ground, any other method will be at the recipients expense.
- Freight on any Warranty Part after 30 days must be paid for by the Purchaser.
- Warranty labor rate is \$45.00 per hour.
- Credit will be issued upon completion of the above steps, at the above rates.

Transportation of hazardous waste or contaminated equipment is subject to various laws and regulations. In returning machines, parts, or accessories under this limited warranty, the end user must certify in writing that the machines, parts, or accessories being returned have not been used for handling, clean up, or disposal of hazardous waste or hazardous materials including but not limited to such things as asbestos, anthrax etc. or if the machines, parts, or accessories being returned have been used for handling, clean up, or disposal of hazardous waste or hazardous materials, then the end user must have the machines, parts or accessories decontaminated by licensed and qualified decontamination professionals and provide written certification of this decontamination signed by the decontamination professionals. These machines, parts or accessories are to be returned only to the local American Sanders Service Center for warranty service along with decontamination certification.

DISCLAIMER OF CONSEQUENTIAL

THERE ARE NO WARRANTIES THAT EXTEND BEYOND THE DESCRIPTION OF THE LIMITED WARRANTIES STATED WITHIN. NO OTHER WARRANTY, EXPRESSED OR IMPLIED, INCLUDING BUT NOT LIMITED TO ANY IMPLIED WARRANTY OF MERCHANTABILITY OR FITNESS FOR A PARTICULAR PURPOSE, IS MADE EXCEPT AS EXPRESSLY STATED HEREIN. ANY STATUTORY IMPLIED WARRANTIES, INCLUDING ANY WARRANTY OF MERCHANTABILITY OR FITNESS FOR A PARTICULAR PURPOSE, THAT ARE IMPOSED BY LAW DESPITE THE EXPRESS LIMITATION OR WARRANTIES ABOVE, ARE EXPRESSLY LIMITED TO THE DURATION OF THE WRITTEN WARRANTY. BUYER UNDERSTANDS, ACKNOWLEDGES AND AGREES THAT THE REMEDIES PROVIDED UNDER THIS LIMITED WARRANTY ARE THE SOLE AND EXCLUSIVE REMEDIES AVAILABLE TO THE BUYER. AMERICAN SANDERS DISCLAIMS ANY RESPONSIBILITY FOR LOSS OF USER TIME OF THE AMERICAN SANDERS MACHINE OR ANY OTHER INCIDENTAL OR CONSEQUENTIAL DAMAGES. THIS INCLUDES, BUT NOT LIMITED TO INDIRECT, SPECIAL OR CONSEQUENTIAL DAMAGES ARISING OUT OF OR IN CONNECTION WITH THE FURNISHING, PERFORMANCE, USE OF OR INABILITY TO USE THE MACHINE. ANY EXTENSIONS OF OR MODIFICATIONS MADE TO THIS WARRANTY BY A DEALER/DISTRIBUTOR OF AMERICAN SANDERS ARE THE SOLE RESPONSIBILITY OF THE DEALER/DISTRIBUTOR.

American Sanders reserves the right to change its warranty policy without notice.

Copyright 2018 American Sanders



American Sanders
an AMANO Company

1 Eclipse Rd ● PO Box 909
Sparta, North Carolina 28675 ● USA
www.pioneereclipse.com
www.americansanders.com

+1-336-372-8080
1-800-367-3550
Fax 1-336-372-2913