



EZ-E Extension Edger Operator's Manual

READ THIS BOOK

This book has important information for the use and safe operation of this machine. Failure to read this book prior to operating or attempting any service or maintenance procedure to your American Sanders machine could result in injury to you or to other personnel; damage to the machine or to other property could occur as well. You must have training in the operation of this machine before using it. If your operator(s) cannot read this manual, have it explained fully before attempting to operate this machine.

All directions given in this book are as seen from the operator's position at the rear of the machine.

EN

Contents

Operator Safety Instructions.....	2-5
Introduction.....	6
Electrical Connection Instructions	7-8
Machine Setup.....	8
Operating Instructions.	9
Adjustment Procedures	10
Maintenance	11
Parts Manual	12
Wiring Diagram.....	13
Upper Assembly	14-15
Lower Assembly.....	16
Begin Spanish Translation.....	17
Begin French Translation.....	32
Warranty	47

WARNING!

The Products sold with this Manual contain or may contain chemicals that are known to certain governments (such as the State of California, as identified in its Proposition 65 Regulatory Warning Law) to cause cancer, birth defects or other reproductive harm. In certain locations (including the State of California) purchasers of these Products that place them in service at an employment job site or a publicly accessible space are required by regulation to make certain notices, warnings or disclosures regarding the chemicals that are or may be contained in the Products at or about such work sites. It is the purchaser's responsibility to know the content of, and to comply with, any laws and regulations relating to the use of these Products in such environments. The Manufacturer disclaims any responsibility to advise purchasers of any specific requirements that may be applicable to the use of the Products in such environments.

*****This product is intended for commercial use only*****
















Operator Safety Instructions

In this Operation Manual you will find three statements that you must read and observe to ensure safe operation of this machine.

DANGER means: Severe bodily injury or death can occur to you or other personnel if the **DANGER** statements found on this machine or in this Operation Manual are ignored or are not adhered to. Read and observe all **DANGER** statements found in this Operation Manual and on your machine.

WARNING means: Injury can occur to you or to other personnel if the **WARNING** statements found on your machine or in the Operation Manual are ignored or are not adhered to. Read and observe all **WARNING** statements found in this Operation Manual and on your machine.

CAUTION means: Damage can occur to the machine or to other property if the **CAUTION** statements found on your machine or in this Operation Manual are ignored or are not adhered to. Read and observe all **CAUTION** statements found in this Operation Manual and on your machine.

-  **DANGER:** Failure to read the Owner's Manual prior to operating or servicing your American Sanders machine could result in injury to you or to other personnel; damage to the machine or to other property could occur as well. You must have training in the operation of this machine before using it. If you or your operator(s) cannot read English, have this manual explained fully before attempting to operate this machine.
-  **DANGER:**   A. Sanding/finishing wood floors can create an explosive or combustible environment. Do not operate this machine around solvents, thinners, alcohol, fuels, floor finishes, wood dust or any other flammable materials. Cigarette lighters, pilot lights, electrical sparks and all other sources of ignition should be extinguished or avoided. Keep work area well ventilated.
 B. Dust generated from sanding wood floors can spontaneously ignite or explode. Promptly dispose of any sanding dust in a metal container clear of any combustibles. Do not dispose in a fire.
-  **DANGER:**  A. Electrocutation could occur if the machine is being serviced while the machine is connected to a power source. Disconnect the power supply before servicing.
B. Electrocutation or fire could occur if the machine is being operated with a damaged power cord. Keep the power cord clear of the pad. Always lift the cord over the machine. Do not move the machine by the power cord.
C. Shock hazard. Do not use the machine if it has been rained on or sprayed with water.
-  **DANGER:**  To avoid injury keep hands, feet, and loose clothing away from all moving parts on the machine. Disconnect the power cord before replacing the pad, changing the abrasive, or when servicing. Do not operate the machine unless all guards are in place. Never leave the machine unattended while connected to a power source.
-  **WARNING:**  Injury can occur if protective clothing or equipment is not used while sanding. Always wear safety goggles, protective clothing, and dust mask while sanding.
-  **WARNING:**  This sander is not to be used on pressure treated wood. Some pressure treated woods contain arsenic and sanding pressure treated wood produces hazardous dust. Inhaling hazardous dust from pressure treated wood can cause serious injury or death. Sanding pressure treated wood decks or uneven surfaces can damage the sander which is not covered under warranty or damage waiver.
-  **WARNING:** Any alterations or modifications of this machine could result in damage to the machine or injury to the operator or other bystanders. Alterations or modifications not authorized by the manufacturer voids any and all warranties and liabilities.
-  **WARNING:** Risk of explosion. Floor sanding can result in an explosive mixture of fine dust and air. Use floor sanding machine only in a well-ventilated area free from any flame or match.

General Power Tool Safety Warnings

WARNING: Read all safety warnings and instructions. Failure to follow warnings and instructions may result in electric shock, fire and or serious injury.

Save all warnings and instructions for future use.

The term "power tool" in the warnings refers to your main-operated (corded) power tool or battery operated (cordless) power tool.

1) Work area safety

- Keep work area clean and well lit.** Clutter or dark areas invite accidents.
- Do not operate power tools in explosive atmospheres, such as in the presence of flammable liquids, gasses, or dust.** Power tools create sparks which may ignite the dust or fumes.
- Keep children and bystanders away while operating a power tool.** Distractions can cause you to lose control.

2) Electrical safety

- Power tool plugs must match the outlet. Never modify the plug in any way. Do not use any adapter plugs with earthed (grounded) power tools.** Unmodified plugs and matching outlets will reduce risk of electric shock.
- Avoid body contact with earthed or grounded surfaces such as pipes, radiators, ranges, and refrigerators.** There is an increased risk of electric shock if your body is earthed or grounded.
- Do not expose power tools to rain or wet conditions.** Water entering a power tool will increase the risk of electric shock.
- Do not abuse the cord. Never use the cord for carrying, pulling or unplugging the power tool. Keep cord away from heat, oil, sharp edges or moving parts.** Damaged or entangled cords increase the risk of electric shock.
- When operating a power tool outdoors, use an extension cord suitable for outdoor use.** Use of cord suitable for outdoor use reduces the risk of electric shock.

- f) **If operating a power tool in a damp location is unavoidable, use a residual current device (RCD) or ground fault circuit interrupter (GFCI) protected supply.** Use of a RCD or GFCI reduces the risk of electric shock.

3) Personal safety

- a) **Stay alert, watch what you are doing and use common sense when operating a power tool. Do not use a power tool while you are tired or under the influence of drugs, alcohol, or medication.** A moment of inattention while operating power tools may result in serious personal injury.
- b) **Use personal protective equipment. Always wear eye protection.** Protective equipment such as dust mask, non-skid safety shoes, hard hat, or hearing protection used for appropriate conditions will reduce personal injury.
- c) **Prevent unintentional starting. Ensure switch is in off-position before connecting to power source and/or battery pack, picking up, or carrying the tool.** Carrying power tools with your finger on the switch or energizing power tools that have the switch on invites accidents.
- d) **Remove any adjustment wrench or key before turning the power tool on.** A wrench or key left attached to a rotating part of the power tool may result in personal injury.
- e) **Do not overreach. Keep proper footing and balance at all times.** This enables better control of the power tool in unexpected situations.
- f) **Dress properly. Do not wear loose clothing or jewelry. Keep your hair, clothing and gloves away from moving parts.** Loose clothes, jewelry, or long hair can be caught in moving parts.
- g) **If devices are provided for the connection of dust extraction and collection facilities, ensure these are connected and properly used.** Use of dust collection can reduce dust related hazards. It is recommendation that the tool always be supplied via a residual current device with a rated residual current of 30mA or less.

4) Power tool use and care

- a) **Do not force the power tool. Use the correct power tool for your application.** The correct power tool will do the job better and safer at the rate for which it was designed.
- b) **Do not use the power tool if the switch does not turn it on and off.** Any power tool that cannot be controlled with the switch is dangerous and must be repaired.
- c) **Disconnect the plug from the power source and/or the battery pack from the power tool before making any adjustments, changing accessories or storing power tools.** Such preventative safety measures reduce the risk of starting the power tool accidentally.
- d) **Store idle power tools out of the reach of children and do not allow persons unfamiliar with the power tool or these instructions to operate the power tool.** Power tools are dangerous in the hands of untrained users.
- e) **Maintain power tools. Check for misalignment or binding of moving parts, breakage of parts and any other condition that may affect the power tool's operation. If damaged, have the power tool repaired before use.** Many accidents are caused by poorly maintained power tools.
- f) **Keep cutting tools sharp and clean.** Properly maintained cutting tools with sharp cutting edges are less likely to bind and are easier to control.
- g) Use the power tool and accessories in accordance with these instructions, taking into account the working conditions and the work to be performed. Use of the power tool for operations different from those intended could result in a hazardous situation.
- h) Operating a tool that is not completely of fully assembled could result in injury or property damage.
Do not operate this tool until it is completely assembled. Keep all fasteners tight. Keep adjustments per tool's specifications.

5) Service

- a) **Have the power tool serviced by a qualified repair person using only identical replacement parts.** This will ensure that the safety of the power tool is maintained. If the supply cord is damaged, it must be replaced by the manufacturer, its service agent or similarly qualified persons in order to avoid a hazard.

Safety Warnings For Sanding Operations

1. This power tool is intended to function as a sander. Read all safety warnings, instructions and specifications provided with this power tool. Failure to follow all instructions listed below may result in electric shock, fire, or personal injury.
2. Operations such as grinding, wire brushing, polishing or cutting-off, are not recommended to be performed with this power tool. Operations for which the tool was not designed may create a hazard and cause personal injury.
3. Do not use accessories which are not specifically designed and recommended by the tool manufacturer. Just because the accessory can be attached to your power tool, it does not assure safe operation.
4. The rated speed of the accessory must be at least equal to the maximum speed marked on the power tool. Accessories running faster than their rated speed can break and fly apart.
5. The outside diameter and thickness of your accessory must be within the capacity rating of your power tool. Incorrectly sized accessories cannot be adequately guard or controlled.
6. The arbor size of wheels, flanges, backing pads or any other accessory must fit the spindle of the power tool. Accessories with arbor holes that do not match the mounting hardware of the power tool will run out of balance, vibrate excessively and may cause loss of control.
7. Do not use damaged accessory. Before each use inspect the accessory such as abrasive wheel for chips or cracks, backing pad for cracks, tear or excess wear, wire brush for loose or cracked wires. If power tool or accessory is dropped, inspect for damage or install an undamaged accessory. After inspecting or installing an accessory, position yourself or bystanders away from the plane of the rotating accessory and run the power tool at maximum no-load speed for one minute. Damaged accessories will normally break apart during this time.

8. Wear personal protective equipment. Depending on application, use face shield, safety goggles or safety glasses. As appropriate, wear dust mask, hearing protectors, gloves and workshop apron capable of stopping flying debris generated by various operations. The eye protection must be capable of stopping flying debris generated by various operations. The dust mask or respirator must be capable of filtering particles generated by your operations. Prolonged exposure to high intensity noise may cause hearing loss.
9. Keep bystanders a safe distance away from work area. Anyone entering the work area must wear personal protective equipment. Fragments of work piece or a broken accessory may fly away and cause injury beyond immediate area of operation.
10. Hold power tool by gripping insulated surfaces (handle) only, when performing an operation where the cutting accessory may contact hidden wiring or its own cord. Cutting accessory contacting a "live" wire may make exposed metal parts of the power tool "live" and shock the operator.
11. Position the cord clear of the spinning accessory. If you lose control, the cord may be cut or snagged and your arm or hand may be pulled into the spinning accessory.
12. Never lay the power tool down until the accessory has come to a complete stop. The spinning accessory may grab the surface and pull the power tool out of your control.
13. Do not run the power tool while carrying it at your side. Accidental contact with the spinning accessory could snag your clothing, pulling the accessory into your body.
14. Regularly clean the power tools air vents. The motor's fan will draw the dust inside the housing and excessive accumulation may cause electrical hazards.
15. Do not operate the power tool near flammable materials. Sparks could ignite these materials.
16. Do not use excessively oversized sanding disc paper. Follow manufacturer's recommendations when selecting sanding paper. Larger sanding paper extending beyond the sanding pad presents a laceration hazard and may cause snagging, tearing of the disc or kickback.
17. Risk of explosion. Floor sanding can result in an explosive mixture of fine dust and air. Use floor sanding machine only in a well-ventilated area free from any flame or match.

Kickback and Related Warnings

Kickback is a sudden reaction to a pinched or snagged rotating wheel, backing pad, brush or any other accessory. Pinching or snagging causes rapid stalling of the rotating backing pad which in turn causes uncontrolled power tool to be forced in the opposite direction of the backing pad's rotation at the point of the binding.

For example, if an abrasive wheel is snagged or pinched by the work piece, the edge of the wheel that is entering into the pinch point can dig into the surface of the material causing the wheel to climb out or kick out. The wheel may either jump toward or away from the operator, depending on direction of the wheel's movement at the point of pinching. Abrasive wheels may also break under these conditions.

Kickback is the result of power tool misuse and incorrect operating procedures or conditions and can be avoided by taking proper precautions as given below.

1. Maintain a firm grip on the power tool and position your body and arms to allow you to resist kickback forces. Always use auxiliary handles, if provided for maximum control over kickback or torque reactions during start up. The operator can control torque reactions or kickback forces, if proper precautions are taken.
2. Never place your hand near the rotating accessory. Accessory may kickback over your hand.
3. Do not position your body in the area where power tool will move if kickback occurs. Kickback will propel the tool in the direction opposite to the wheel's movement at the point of the snagging.
4. Use special care when working corners, sharp edges etc. Avoid bouncing and snagging the accessory. Corners, sharp edges or bouncing have a tendency to snag the rotating accessory and cause loss of control or kickback.

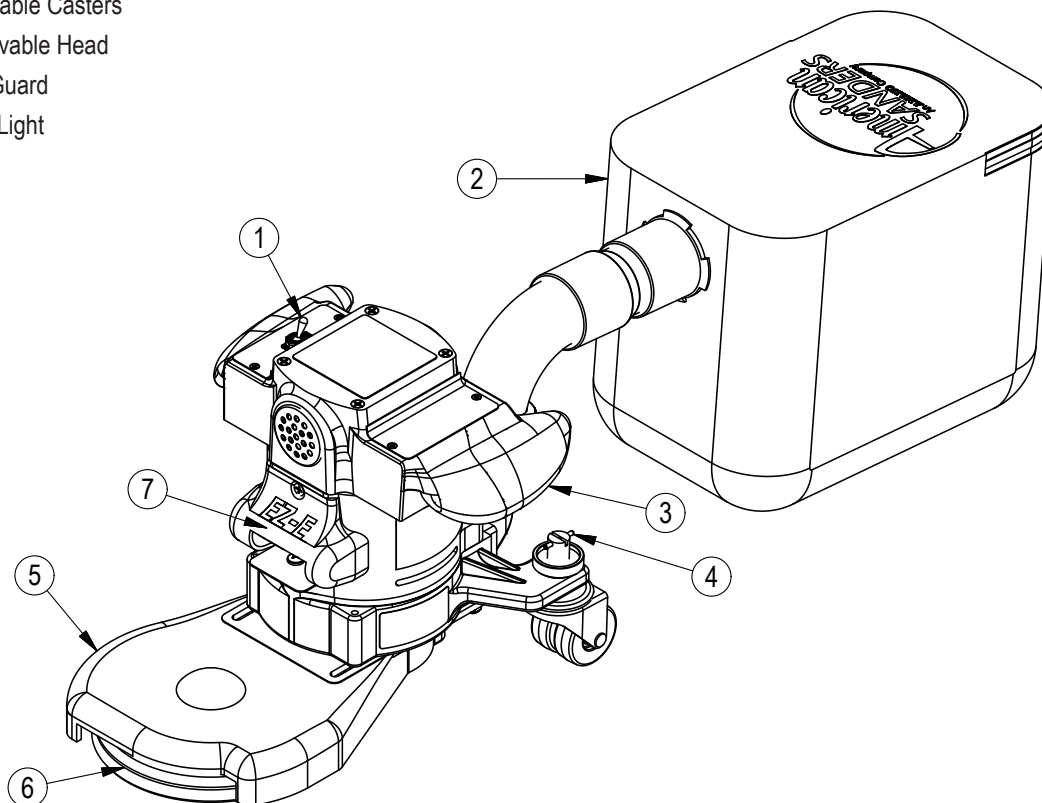
Additional Rules For Safe Operation

1. Empty the dust bag or dust collection receiver frequently. Do not leave residue in dust bag or dust collection receiver unattended. Always empty in a non-combustible metal container. Sanding wood or varnish produces dust that can self ignite and cause injury or damage. Follow this precaution for storage.
2. Set all exposed nails. Sweep loose abrasive away from work area. Do not strike metal pipes, ect., with sanding paper. Striking metal or abrasive particles with sanding paper produces sparks that could ignite the sanding dust which can cause injury or damage.
3. Do not operate a partially assembled power tool. Keep all adjustments within manufacturer's specifications. Keep all fasteners tight. Operating a partially assembled power tool could result in injury to the operator or bystander and could cause damage to the equipment or surroundings.
4. Do not attempt to change the sanding paper while the power tool is running. The sanding pad can snag clothing and cause injury to limbs and moving sanding paper can cause abrasions.
5. The power tool should only be used on an electrical system (mains) that is rated for the electrical requirements of the power tool as shown on the nameplate. Use only on an earthing (grounded) system. Do not service the power tool if it is energized or connected to an electrical circuit. Improper use could cause fire or electric shock.

Introduction

KNOW YOUR MACHINE

- 1 Control Switch
- 2 Dust Collection Bag
- 3 Operating Handles
- 4 Adjustable Casters
- 5 Removable Head
- 6 Wall Guard
- 7 Work Light



Model	07222A	07223A	07224A	07225A	07231A	07232A
Electrical Rating	115 V, 12.0 A, 60 Hz	115 V, 12.0 A, 60 Hz	115 V, 12.0 A, 60 Hz	115 V, 12.0 A, 60 Hz	230 V, 6.0 A, 50 Hz	230 V, 12.0 A, 50 Hz
Storage Case	Standard	Standard	Standard	Standard	Standard	Standard
Motor	1 Hp	1 Hp	1 Hp	1 Hp	1 Hp	1 Hp
Abrasive Size	7" x 7/8" Dia. Disc	5" Dia. Disc	7" x 7/8" Dia. Disc	5" Dia. Disc	7" x 7/8" Dia. Disc	5" Dia. Disc
Disc Rate	2800 rpm	3200 rpm	2800 rpm	3200 rpm	2800 rpm	3200 rpm
Disc Driver System	Belt Driven	Belt Driven	Belt Driven	Belt Driven	Belt Driven	Belt Driven
Power Cable	12-3 Gray Rubber	12-3 Gray Rubber	12-3 Gray Rubber	12-3 Gray Rubber	H05V/F3G 1.5mm sq x 15.4m	H05V/F3G 1.5mm sq x 15.4m
Dust Collection	Standard	Standard	Standard	Standard	Standard	Standard
Dust Control Rate	110 CFM	110 CFM	110 CFM	110 CFM	110 CFM	110 CFM

Electrical Connection Instructions

Extension Cords (120V)

Use only an approved extension cord with three conductors, a plug with three terminals, and a connector body with three holes.

WARNING: If you use an extension cord, use an extension cord with minimum wire size 12 AWG. Do not use an extension cord longer than 50 feet. Do not join two extension cords.

Extension Cords (230V)

Use only an approved extension cord with two main conductors and one earthing conductor.

WARNING: If you use an extension cord, use an extension cord with minimum wire size 1.50 mm². Do not use an extension cord longer than 15 meters. Do not join two extension cords.

WARNING: Do not cut, remove, or break the ground terminal. Do not try to fit a three-terminal plug into a receptacle or connector body that does not fit the plug. If the receptacle or connector body does not fit the plug, see your Authorized person to make the connection.

Electrical Connection Instructions (120V)

Instructions for connection to the power supply and the electrical ground.

This product must be grounded. If it should malfunction or breakdown, grounding provides a path of least resistance for electric current to reduce the risk of electrical shock. This product is equipped with a cord having an equipment-grounding conductor and grounding plug. The plug must be inserted into an appropriate outlet that is properly installed and grounded in accordance with all local codes and ordinances.

WARNING: Improper connection of the equipment-grounding conductor can result in a risk of electric shock. Check with qualified electrician or service person if you are in doubt as to whether the outlet is properly grounded. Do not modify the plug provided with the product – if it will not fit the outlet, have a proper outlet installed by a qualified electrician.

This product is for use on a nominal 120 volt circuit and has a grounding attachment plug that looks like the plug illustrated in figure 12. Make sure that the product is connected to an outlet having the same configuration as the plug. No adapter should be used with this product. Always connect the machine to a dedicated 20 amp electrical line to prevent nuisance breaker tripping and line overload due to other devices.

WARNING: To prevent possible electric shock, protect the machine from rain. Keep the machine in a dry building.

WARNING: To prevent possible electric shock, always use a 3-wire electrical system connected to the electrical ground. For maximum protection against electrical shock, use a circuit that is protected by a ground fault circuit interrupter. Consult your electrical contractor.

WARNING: Do not cut, remove or break the ground pin. If the outlet does not fit the plug, consult your electrical contractor.

WARNING: Have worn, cut or damaged cords replaced by an authorized service person.

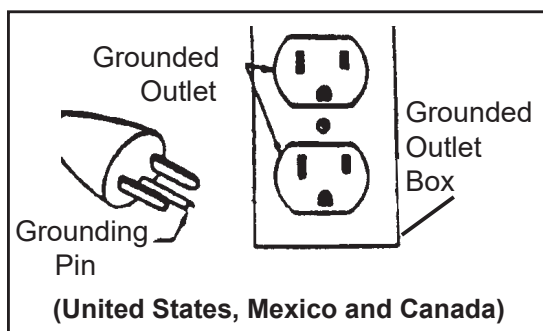
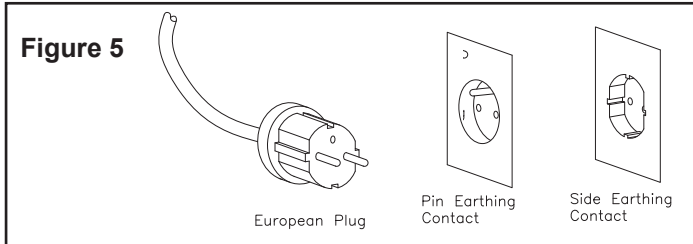


Figure 12

Electrical Connection Instructions (230V)

CAUTION: This machine will operate only on the AC frequency and electrical voltage shown on the nameplate. Make sure you have the correct frequency and voltage before connecting the power cord to an outlet.

This machine must be connected to the electrical ground to protect the operator from electric shock. The machine has a power cord with two main conductors and one earthing conductor. Connect the plug to the type of receptacle shown in figure 5. The green and yellow conductor cord is the ground wire. Never connect this wire to any terminal other than the ground terminal.



WARNING: Always use this machine with an AC three-conductor electrical system connected to the electrical ground. Replace any worn, cut, or damaged cords. Replace any damaged plugs, receptacles, or connector bodies. Do not move the machine over an electrical cord. Always lift the cord over the machine.

Machine Setup

This sanding machine is designed to be operated with a remote vacuum dust collection system or with the included dust bag.

Preparing Remote Vacuum Dust Collection Systems

To prepare the machine for remote vacuum dust collection systems that have a 2" hose end, follow this procedure:

1. Install 2" hose end (figure 1, A) directly over the exhaust tube (figure 1, B).
2. The exhaust tube can be rotated for optimum convenience.

To prepare the machine for remote vacuum dust collection systems that have a 1 1/2" hose end, follow this procedure:

1. Install the 2" x 1 1/2" hose end adaptor (Part No. 30563A) (figure 1, C) over the exhaust tube (figure 1, B).
2. Insert 1 1/2" hose end (figure 1, D) into the adaptor (figure 1, C).

NOTE: Start the remote vacuum collection system before operation.

Preparing to use the included dust bag

To prepare the machine for use with the included dust bag (Part No. 53544B), follow this procedure:

1. Install the dust bag by pressing the end onto the exhaust tube until the ring locks into the groove (figure 2). This is best done by pressing on the back of the bag opening with the palm of your hand.
2. The exhaust tube can be rotated for optimum convenience.
3. To remove the dust bag from the exhaust tube, pry up the end of the bag opening to partially release the internal rib from the groove, then pull.
4. To empty the dust bag, unzip the disposal flap and force contents out by inverting the bag.

NOTE: For best results, empty frequently. Follow all warnings posted in this manual and on the dust bag.

Preparing the Machine for Operation

1. Familiarize yourself with the machine. Read all danger, warning, and caution statements and the Owner's Manual before operating this machine.
2. The machine will accept either hook and loop or center-hole abrasive disc. The tool is equipped with a retaining screw and washer for use with the center-hole abrasive. When installing abrasive disc, take care to center disc on driver. (Figure 3)
3. **NOTE:** To avoid injuring the hook surface on the driver when sanding thick paint, varnish, or wax, it is recommended you stack two discs on the driver using a course, open coat abrasive.

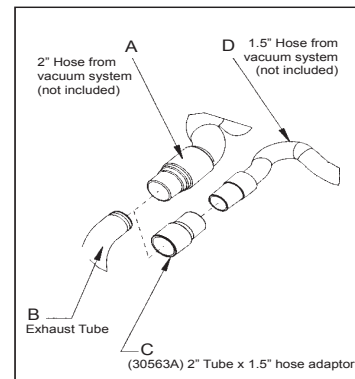


Figure 1

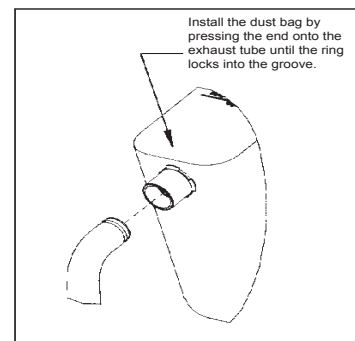


Figure 2

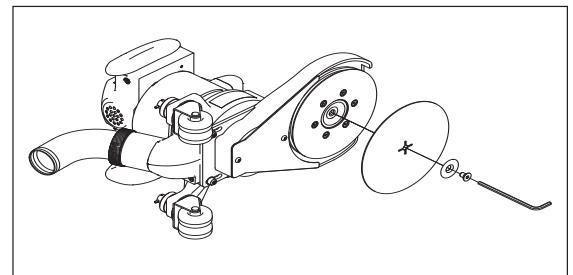


Figure 3

Head Conversion

Removing the Sanding Head

1. Make sure the control switch is in the "OFF" position and disconnect the motor pigtail from the supply cable. (Figure 6)
2. With a Phillips screwdriver, remove the two screws "A" securing the belt guard. Remove the belt guard. (Figure 4)
3. With a 7/16" socket, remove the four nuts "B" securing the head attachment. (Figure 4)
4. Lift the head off of the machine, making sure the belt slips over the motor pulley.

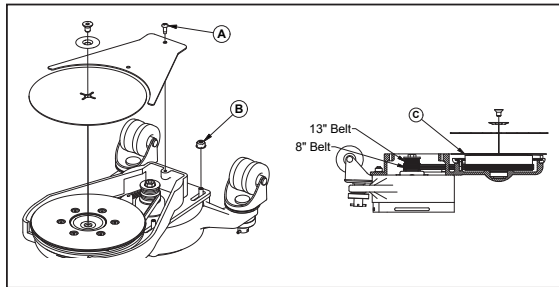


Figure 4

Installing the Sanding Head

1. Place the head on the machine, making sure the belt is placed around the motor pulley. Position the belt in the lower-most grooves, (closest to the motor), for the 8" extension. Position the belt in the upper-most grooves, (furthest away from the motor), for the 13" extension. (Figure 4)
2. Start all four nuts "B" by hand, but do not tighten.
3. Rotate pad driver "C" to make sure belt is in the appropriate grooves.

CAUTION: Rapid belt wear will occur if belt is not properly aligned.

4. Tension belt and tighten nuts "B" with a 7/16" socket.

NOTE: The tension should be great enough so that the belt does not slip during use. Excessive tension will lessen bearing and belt life.

5. Secure belt guard with screws "A".

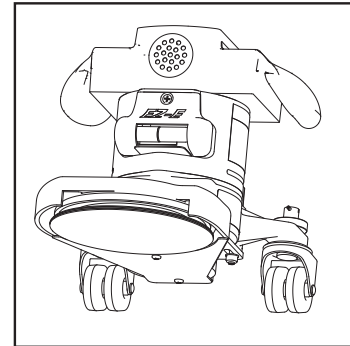


Figure 5

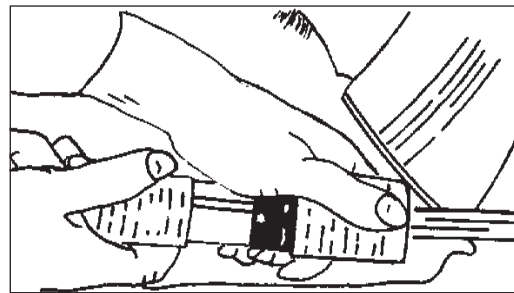


Figure 6

4. Gradually lower pad to surface intended for sanding. Make sure the machine is in motion while the pad is engaged with the surface to be sanded. You may use broad circular motion as you sand along the length of the surface or you may use a combination of forward and sideward motions. In time you will develop your own technique to optimize coverage and dust recovery. It is advisable to not add effort to the pad as this may lead to "nosing in" or "tipping" which produces grooves or lines on the surface.
5. When replacing abrasive, emptying the contents of the dust bag, or sanding operation is completed, return machine to reclined position, flip control switch to "OFF" then disconnect the motor pigtail from the supply cable.
6. Empty dust bag whenever it becomes 1/3 full.

Operating Instructions

WARNING: Bodily injury could occur if power is applied to the machine with the power switch already in the "ON" position. Always check to assure that the power switch is in the "OFF" position before applying power to the power cable.

1. Move machine to the location of your work. Set any exposed nails with hammer and punch to avoid encounter with abrasive.
2. Make sure the control switch is in the "OFF" position then connect the supply cable to an appropriately grounded fused circuit. Connect the supply cable to the motor pigtail. (Figure 6)
3. With the machine in the reclined position firmly grasp both handles and flip the control switch to the "ON" position. (Figure 5.)

DANGER: Failure to disconnect the supply cable from machine whenever servicing, replacing abrasive, or emptying the dust bag could result in electrocution or severe injury. Never leave machine unattended while the supply cable is connected.

DANGER: Never leave dust bag unattended with sanding dust in it. Sanding dust can spontaneously ignite and cause a fire or explosion. Empty dust bag into a metal container, clear of any combustibles. Do not empty content into a fire. Do not overfill dust bag.

Adjustment Procedures

Leveling

This machine can be leveled without tools. Grasp the adjusting screw, "A", and loosen the lock nut, "B". (Figure 7).

Condition - Pad creates ridges on both edges or a "hop" is experienced: Rotate both adjusting screws equal amounts clockwise. Tighten locknuts and test on a piece of plywood. Repeat procedure until condition is corrected. We recommend you not exceed 1/8" rotation for each attempt.

Condition - Pad creates a ridge on the tip of the pad: Rotate both adjusting screws counter clockwise, tighten locknuts and test. Repeat procedure until condition is corrected. Use only 1/8 rotation for each attempt.

Condition - Pad creates a ridge on only one side of the pad: Either rotate the adjusting screw of the side effected clockwise or rotate the adjusting screw opposite counterclockwise, depending on whether the ridge terminates beyond the tip of the pad or prior to it. If it is prior to the tip, adjust the side effected, otherwise adjust the opposite side.

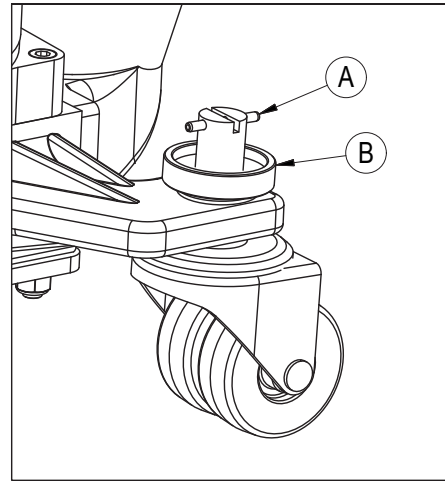


Figure 7

NOTE: If switching heads on the machine, it will need to be re-leveled.

Routine Maintenance



CAUTION: Failure to perform maintenance at recommended intervals may void warranty.

Carbon Brushes

Have the carbon brushes replaced at least every 500 hours and more frequently under heavy use.

Dust Bag

Periodically the dust bag should be turned inside out, shaken vigorously and machine washed in cold water to prevent pore blockage and loss of dust control.

Bearings

To insure reliable performance, have armature and pad driver bearings inspected for wear or damage after every 1500 hours. If used heavily, have the bearings replaced seasonally.

Belt

The belt should be inspected every 500 hours. Replace if there are cracks or signs of wear.



CAUTION: Maintenance and repairs performed by unauthorized personnel could result in damage or injury. Maintenance and repairs performed by unauthorized personnel will void your warranty. Failure to perform maintenance at recommended intervals may void warranty.

Carbon Brushes

Inspect all four brushes every 6 months or 250 hours. Access to the brushes is gained through the front and back motor vent plugs and under both motor covers (figure 8). Press tab (A) on spring clip assembly in, rotate, then remove (figure 9). Use needlenose pliers to disconnect the shunt wire. If any brush has worn to 3/8" in length or shorter, replace the entire set.



CAUTION: Use only motor brush PN 40818A or PN 40055A with shunt wire or motor failure will occur.

When replacing the brushes make sure that the brush seats against the commutator, the spring rest in the recess of the brush, and the brush is free to travel. When returning the switch cover, keep any wires clear of the commutator and any pinch site.

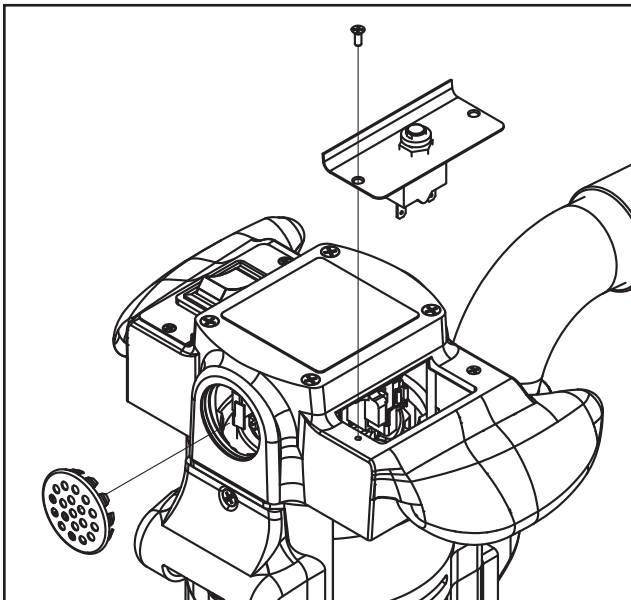


Figure 8

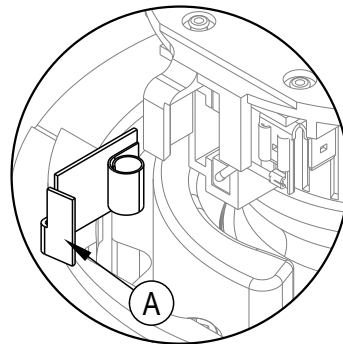


Figure 9

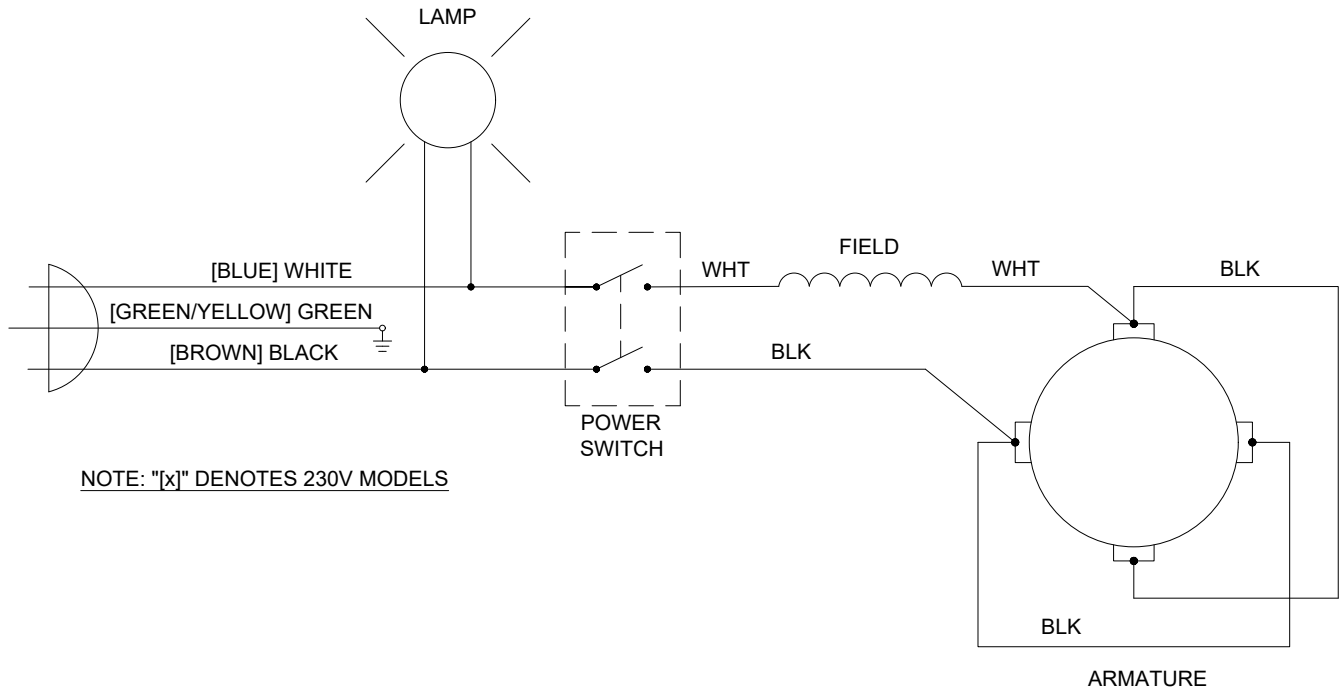
EZ-E

Operator's Manual

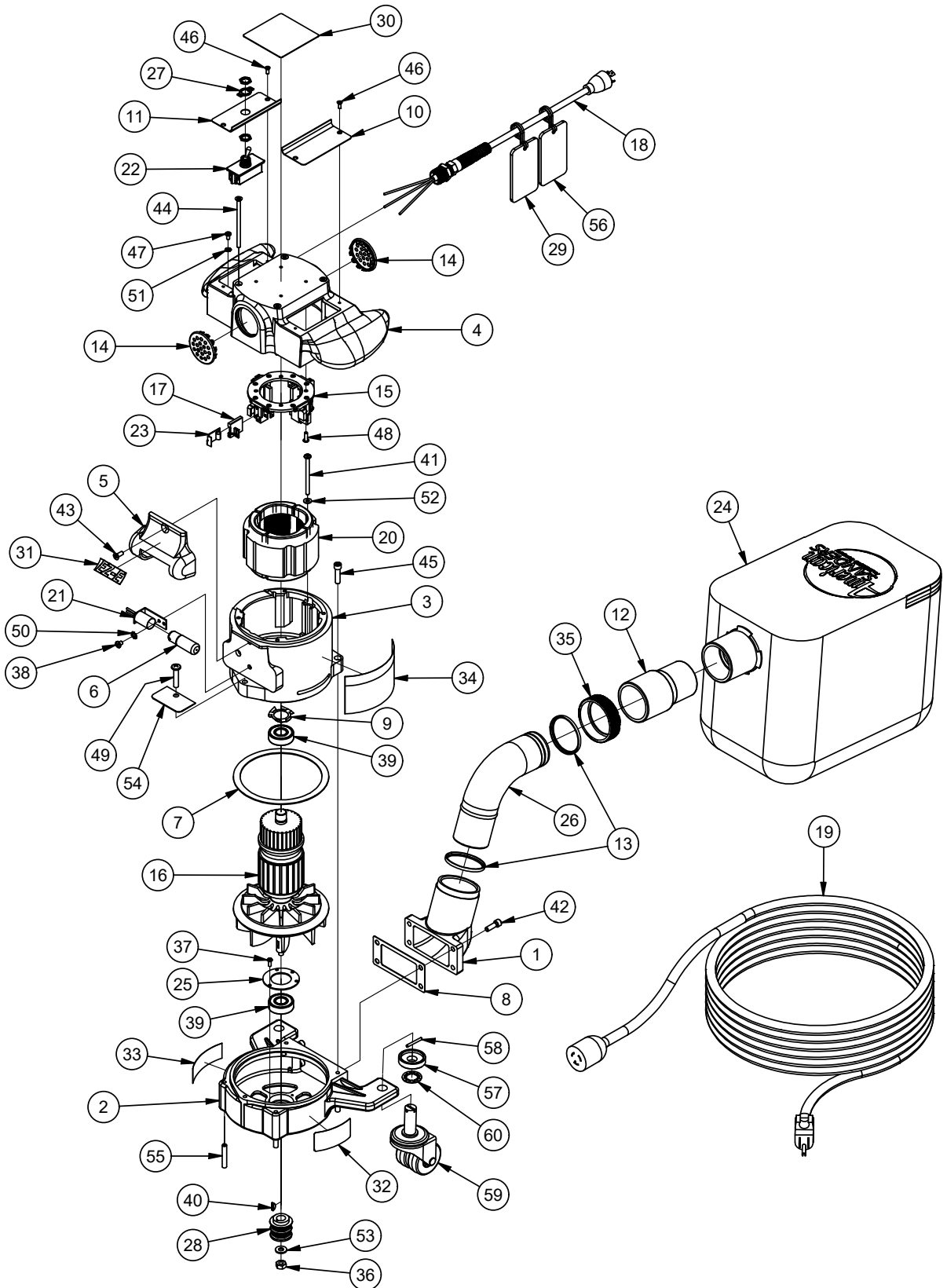
Notes:



Wiring Diagram



UPPER ASSEMBLY



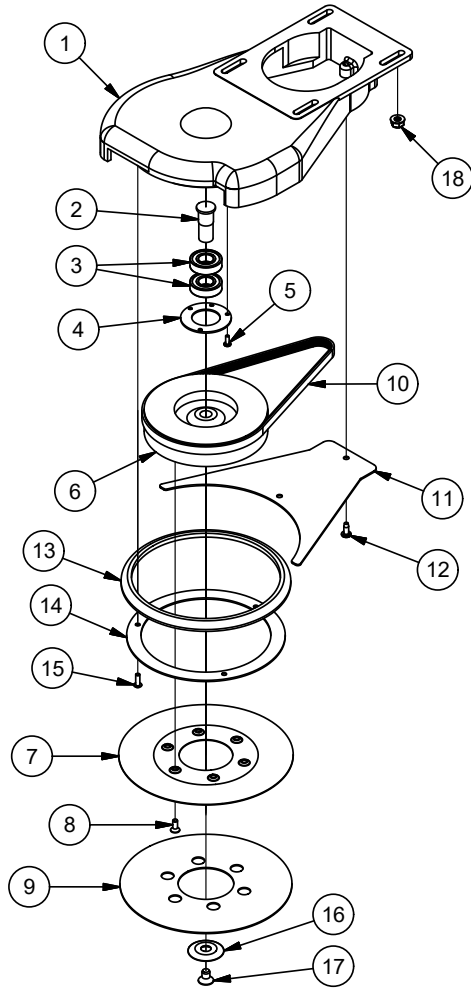
UPPER ASSEMBLY

PARTS LIST				PARTS LIST			
ITEM	QTY	PART NUMBER	DESCRIPTION	ITEM	QTY	PART NUMBER	DESCRIPTION
1	1	AS018901	EXHAUST, ADAPTOR, BLACK	24	1	53544B	BAG, EDGER
2	1	AS030900	HOUSING, FAN, EZ-E	25	2	57396A	RETAINER, BEARING, 2"O.D.
3	1	AS017601	HOUSING, MOTOR, BLACK	26	1	61564A	TUBE, EXHAUST
4	1	AS017701	COVER, MOTOR, BLACK	27	1	646302	PLATE-SWITCH
5	1	AS031100	GUARD, LAMP, BLACK	28	1	AS031400	PULLEY, MOTOR, DRIVE, EZ-E
6A	1	AS010200	LAMP, 120V, LED, DC, BAYONET (07222A, 07223A, 07224A, 07225A)	29	1	70175A	TAG WARNING ENG-SPN
6B	1	AS037500	LAMP, 230V, LED, DC, BAYONET (07231A, 07232A)	30	1	AS014300	NAMEPLATE, AMERICAN SANDERS, 3"
				31	1	AS030600	DECAL, EZ-E, 0.72 X 1.97
7	1	293403	GASKET, EXHAUST FAN, BAFFLE	32	1	56380216	DECAL, POWER TOOL CAUTION
8	1	293406	GASKET, EXHAUST, BRKT 95	33	1	56380639	DECAL-PROP 65
9	1	298306	SPRING, LOAD, 56	34	1	73285A	LABEL, WARNING
10	1	AS032300	COVER, BRUSH, LEFT, BLACK	35	1	80276A	NUT, SLIPJOINT, 2 X 2
11	1	AS032200	COVER, BRUSH, RIGHT, BLACK	36	1	81302A	NUT, JAM, HEX, 1/4-20, ZINC
12	1	30563A	2" X 1.50" HOSE ADAPTOR	37	5	85313C	SCREW 6-32 X 3/8 PAN HD
13	2	30613A	SEAL, PIPE, EDGERS	38	1	85393A	SCREW, 10-24 X 1/4, PN SZ PH
14	2	306802	PLUG, VENT	39	2	902567	BEARING BALL DOUBLE SEALED
15	1	40130A	HOLDER ASM. BRUSH	40	1	915561	KEY 1/8 X 1/2 WOODRUFF
16A	1	40321A	ARMATURE ASM, 120V (07222A, 07223A, 07224A, 07225A)	41	2	962211	SCREW, 10-24 X 2.5, RD P ST
				42	4	962289	SCREW, 1/4-20 X 3/4 SOCKET HD
16B	1	40324A	ARMATURE ASM, 230V (07231A, 07232A)	43	1	962310	SCREW, 10-24 X 1/2
				44	4	962404	SCREW, 10-24 X 3-1/4, FH, ST, PH
17	4	40818A	BRUSH, CARBON	45	2	962454	SCREW, 1/4 - 20 X 1, SC ST CAP
18A	1	41960A	CORD INTERCONNECTING (07222A, 07223A, 07224A, 07225A)	46	4	962545	SCREW, 6-32 X 3/8, FLAT HD
				47	1	962550	SCREW, 8-32 X 5/16
18B	1	AS020700	CORD, PIGTAIL, SANDER, 1.5MM (07231A, 07232A)	48	7	962727	SCREW, 8-32 X 1/2 PN ST TP23 PH
				49	1	962988	SCREW, 1/4-20 X 1-1/4, PN, ST, PH
19A	1	40540A	CORDSET, 12-3 X 40FT 5-15P (07222A, 07223A, 07224A, 07225A)	50	1	980603	WASHER, LK 10 EXT TOOTH
				51	1	980621	WASHER, LOCK, EXT TOOTH
19B	1	MP514000	CORD, POWER SUPPLY, AUSTRAL. (07231A, 07232A)	52	2	980643	WASHER, 7/16 OD X .036 THK.
				53	1	980646	WASHER 1/4 SAE FLAT PLTD
20A	1	42820A	FIELD & COIL ASM 115V (07222A, 07223A, 07224A, 07225A)	54	1	AS032400	REFLECTOR, LIGHT
				55	4	NB074000	SCREW, SET, 1/4-20 X 1 1/2"
20B	1	42819A	FIELD & COIL ASM 240V (07231A, 07232A)	56	1	70175A-FR	TAG WARNING ENG-FRN
				57	2	AS035900	NUT, JAM, M16, 1.5"OD, KNURL.
21	1	46902A	SOCKET ASSEMBLY	58	2	NB074400	PIN, ROLL, 1/8 X 1 1/8
22	1	47394A	SWITCH DPST 16A/125V SUPER	59	2	AS036000	CASTER, 2", DUAL, 1/8" HOLE
23	4	50932A	SPRING BRUSH HOLDER	60	2	NB074600	WASHER, STAR LK, 5/8 INT. TOOTH

RF077100

060519

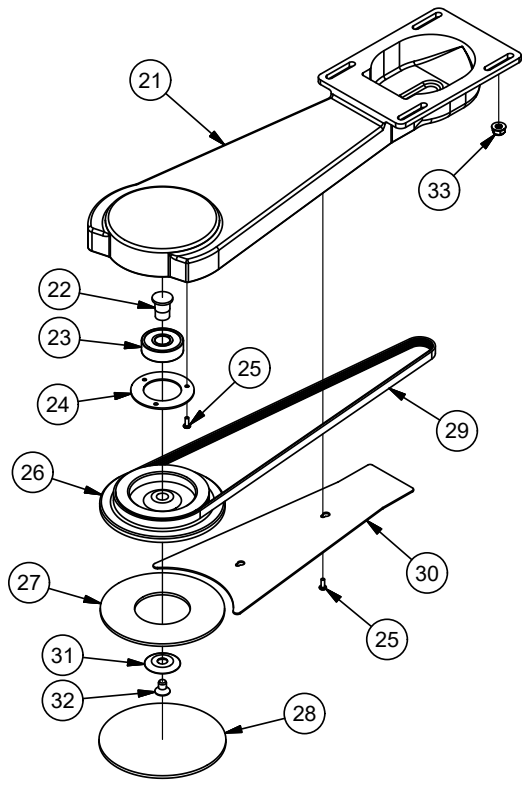
EZ-E 8" EXTENSION KIT: PART# SA035200



8" EXTENSION PARTS LIST (INDIVIDUAL PARTS)

ITEM	QTY	PART#	DESCRIPTION
1	1	AS030100	EXTENSION, 8", EZ-E
2	1	67469A	SHAFT 7 PAD DRIVER SUPER 7E
3	2	56380282	BEARING-BALL 6002 CUSTOM
4	2	57396A	RETAINER, BEARING, 2"O.D.
5	3	85313C	SCREW 6-32 X 3/8 PAN HD
6	1	AS031600	PULLEY, 7" PAD, 8" EXT.
7	1	61851A	SANDING DISC
8	6	962348	SCR 10-24X 1/2 SF ST CAP
9	1	39864A	PAD HOOK & LOOP
10	1	AS032600	BELT, 4V220
11	1	AS032000	GUARD, BELT, 8" EXT.
12	2	85517A	SCREW #10-24 X 1/2 PHCR TYPE 23
13	1	34109A	GUARD DISC SUPER 7E
14	1	66973A	RETAINER, GUARD, 7" DISC
15	5	962727	SCREW, 8-32 X 1/2 PN ST TP23 PH
16	1	66965A	RETAINER ABRASIVE SUPER 7E
17	1	NB055600	SCREW, SFCS, 5/16-18 X 5/8",SS
18	4	AS030700	NUT, FLANGE, 1/4-20, NYLOC

EZ-E 13" EXTENSION KIT: PART# SA035300



13" EXTENSION PARTS LIST (INDIVIDUAL PARTS)

ITEM	QTY	PART#	DESCRIPTION
21	1	AS030200	EXTENSION, 13", EZ-E
22	1	58321A	SHAFT PAD DRIVER SUPER 7E
23	1	51111A	BEARING BALL
24	1	66964A	RETAINER, BEARING, 2.5"O.D.
25	5	85313C	SCREW 6-32 X 3/8 PAN HD
26	1	AS031500	PULLEY, 5" PAD, 13" EXTENSION
27	1	AS030500	PAD 5" O.D. HOOK & LOOP
28	1	AS003500	PAD, FOAM, 5"
29	1	AS032500	BELT, 4V360
30	1	AS031900	GUARD, BELT, 13" EXT.
31	1	66965A	RETAINER ABRASIVE SUPER 7E
32	1	NB055600	SCREW, SFCS, 5/16-18 X 5/8",SS
33	4	AS030700	NUT, FLANGE, 1/4-20, NYLOC

LEA ESTE MANUAL

Este libro contiene información importante para el uso y funcionamiento seguros de esta máquina. Si no se leyese este manual previamente al funcionamiento o tentativa de cualquier procedimiento de reparación o mantenimiento de su máquina American Sanders, la máquina podría provocar lesiones a su persona o a terceros, así como daños en la máquina u otros daños materiales. Debe recibir formación sobre el funcionamiento de esta máquina antes de utilizarla. Si su operador u operadores no pueden leer este manual, explíqueselo en su totalidad antes de intentar poner en funcionamiento esta máquina.

Todas las indicaciones incluidas en este manual están consideradas desde la perspectiva del operador en la parte trasera de la máquina.

ES

Contenido

Instrucciones de seguridad para el operador	17-20
Introducción	21
Instrucciones de conexión eléctrica	21-22
Configuración de la máquina	23
Instrucciones de funcionamiento	24
Procedimientos de ajuste	25
Mantenimiento	26
Manual de piezas	27
Diagrama de cableado	28
Ensamblaje superior	29-30
Ensamblaje inferior	31
Garantía	48

¡ADVERTENCIA!


Los productos vendidos con este manual contienen o pueden contener sustancias químicas que son conocidas por ciertos gobiernos (como el Estado de California, como se identifica en la Proposición 65 de la Ley de Advertencia Regulatoria) por causar cáncer, anomalías congénitas u otros daños reproductivos. En ciertos lugares (incluido el Estado de California) los compradores de estos productos, que los ponen en funcionamiento en un lugar de trabajo o espacio de acceso público, están obligados por ley a emitir ciertos avisos, advertencias o divulgaciones con respecto a los productos químicos que están o pueden estar incluidos en los productos utilizados dentro o cerca de dichos lugares de trabajo. Es responsabilidad del comprador conocer el contenido y cumplir con las leyes y reglamentos relacionados con el uso de estos productos en dichos entornos. El fabricante rechaza toda responsabilidad de informar a los compradores de cualquier requisito específico que pueda ser aplicable al uso de los productos en dichos entornos.


Este producto está destinado únicamente para su uso comercial


Instrucciones de seguridad para el operador

En este manual de instrucciones encontrará tres indicaciones que debe leer y cumplir para garantizar el funcionamiento seguro de esta máquina.


 **PELIGRO** significa: que si se ignoran o no se respetan las indicaciones de **PELIGRO** que se encuentran en esta máquina o en este manual de instrucciones, usted u otro personal pueden sufrir lesiones corporales graves o la muerte. Lea y observe todas las indicaciones de **PELIGRO** incluidas en este manual de instrucciones y en su máquina.

 **ADVERTENCIA** significa: que si se ignoran o no se respetan las indicaciones de **ADVERTENCIA** que se encuentran en su máquina o en el manual de instrucciones, usted u otro personal pueden sufrir lesiones. Lea y observe todas las indicaciones de **ADVERTENCIA** incluidas en este manual de instrucciones y en su máquina.

 **PRECAUCIÓN** significa: que si se ignoran o no se respetan las indicaciones de **PRECAUCIÓN** que se encuentran en su máquina o en este manual de instrucciones, podrían producirse daños en la máquina u otros daños materiales. Lea y observe todas las indicaciones de **PRECAUCIÓN** incluidas en este manual de instrucciones y en su máquina.


 **PELIGRO:** Si no leyese el manual de usuario antes de poner en marcha o reparación su American Sanders, la máquina podría provocar lesiones a su persona o a terceros, así como daños en la máquina u otros daños materiales. Debe recibir formación sobre el funcionamiento de esta máquina antes de utilizarla. Si usted, su operador u operadores no comprenden el inglés, pida que se lo expliquen en su totalidad antes de intentar poner en marcha esta máquina.



 **PELIGRO:** A. El lijado/acabado de pisos de madera puede crear un ambiente explosivo o combustible. No utilice esta máquina cerca de disolventes, diluyentes, alcohol, combustibles, acabados de suelos, polvo de madera o cualquier otro material inflamable. Los encendedores de cigarrillos, luces de pilotos, chispas eléctricas y todas las demás fuentes de ignición deben apagarse o evitarse. Mantenga el área de trabajo bien ventilada.




B. El polvo generado por el lijado de los pisos de madera puede encenderse o explotar espontáneamente. Deseche inmediatamente el polvo de lijado en un recipiente metálico sin combustibles. No lo arroje al fuego.

 **PELIGRO:** A. La electrocución puede ocurrir si la máquina se está reparando mientras está conectada a una fuente de energía. Desconecte la fuente de alimentación antes de realizar cualquier reparación.




B. Podría producirse una electrocución o un incendio si la máquina se utiliza con un cable de alimentación dañado. Mantenga el cable de alimentación alejado de la almohadilla. Levante el cable siempre por encima de la máquina. No tire de la máquina con el cable de alimentación.


C. Riesgo de descarga. No utilice la máquina si ha llovido o si esta se ha rociado con agua.

 **PELIGRO:** Para evitar lesiones, mantenga las manos, los pies y la ropa suelta alejados de todas las piezas móviles de la máquina. Desconecte el cable de alimentación antes de reemplazar la almohadilla, cambiar el abrasivo o cuando realice tareas de reparación. No utilice la máquina a menos que todas las protecciones estén en su lugar. Nunca deje la máquina desatendida mientras esté conectada a una fuente de alimentación.





 **ADVERTENCIA:** Se pueden producir lesiones si no se utiliza ropa o equipo de protección durante el lijado. Utilice siempre gafas de seguridad, ropa de protección y mascarilla para el polvo mientras lija.



 **ADVERTENCIA:** Esta lijadora no debe utilizarse con madera tratada a presión. Algunas maderas tratadas a presión contienen arsénico y el lijado de madera tratada a presión produce un polvo peligroso. La inhalación de polvo peligroso procedente de madera tratada a presión puede causar lesiones graves o la muerte. El lijado de cubiertas de madera tratadas a presión o superficies irregulares puede dañar la lijadora, lo cual no está incluido en la garantía o la exención de daños.



 **ADVERTENCIA:** Cualquier alteración o modificación de esta máquina podría ocasionar daños a la misma o lesiones al operador u otros transeúntes. Las alteraciones o modificaciones no autorizadas por el fabricante anulan todas y cada una de las garantías y responsabilidades.

 **ADVERTENCIA:** Peligro de explosión. El lijado del suelo puede resultar en una mezcla explosiva de polvo fino y aire. Use la máquina lijadora de pisos solamente en un área bien ventilada y libre de llamas o fósforos.

Advertencias generales sobre la seguridad de las herramientas eléctricas

ADVERTENCIA: Lea todas las advertencias e instrucciones de seguridad. El incumplimiento de las advertencias e instrucciones puede provocar descargas eléctricas, incendios o lesiones graves.

Guarde todas las advertencias e instrucciones para un uso futuro.

El término «herramienta eléctrica» en las advertencias se refiere a su herramienta eléctrica (de cable) con alimentación de red o a su herramienta eléctrica (inalámbrica) con alimentación de batería.

1) Seguridad en el área de trabajo

- Mantenga el área de trabajo limpia y bien iluminada.** El desorden o las áreas oscuras pueden provocar accidentes.
- No utilice herramientas eléctricas en atmósferas explosivas, como por ejemplo, en presencia de líquidos inflamables, gases o polvo.** Las herramientas eléctricas crean chispas que pueden encender el polvo o los humos.
- Mantenga alejados a los niños y a los transeúntes mientras maneja una herramienta eléctrica.** Las distracciones pueden hacer que pierda el control.

2) Seguridad eléctrica

- Los enchufes de las herramientas eléctricas deben coincidir con la toma de corriente. Nunca modifique el enchufe de ninguna manera. No utilice ningún enchufe adaptador con herramientas eléctricas conectadas (a tierra).** Los enchufes no modificados y las tomas de corriente correspondientes reducirán el riesgo de descarga eléctrica.
- Evite el contacto del cuerpo con superficies conectadas a tierra como tuberías, radiadores, estufas y refrigeradores.** Existe un mayor riesgo de descarga eléctrica si su cuerpo está conectado a tierra.
- No esponga las herramientas eléctricas a la lluvia o a la humedad.** La entrada de agua en una herramienta eléctrica aumentará el riesgo de descarga eléctrica.
- No abuse del cable. Nunca utilice el cable para transportar, tirar o desenchufar la herramienta eléctrica. Mantenga el cable alejado del calor, aceite, bordes afilados o piezas móviles.** Los cables dañados o enredados aumentan el riesgo de descarga eléctrica.

- e) **Cuando utilice una herramienta eléctrica al aire libre, utilice un cable de extensión adecuado para uso en exteriores.** El uso de un cable adecuado para uso en exteriores reduce el riesgo de descargas eléctricas.
- f) **Si es inevitable utilizar una herramienta eléctrica en un lugar húmedo, utilice un dispositivo de corriente residual (RCD) o un interruptor de circuito por falla a tierra (GFCI).** El uso de un RCD o un GFCI reduce el riesgo de descarga eléctrica.

3) Seguridad personal

- a) **Manténgase alerta, vigile lo que está haciendo y utilice el sentido común cuando utilice una herramienta eléctrica. No use una herramienta eléctrica si está cansado o bajo el efecto de drogas, alcohol o medicamentos.** Una falta de atención momentánea mientras maneja las herramientas eléctricas puede ocasionar lesiones personales graves.
- b) **Utilice equipo de protección personal. Utilice siempre protección para los ojos.** Los equipos de protección tales como las mascarillas para el polvo, zapatos de seguridad antideslizantes, cascos o protectores auditivos utilizados para condiciones apropiadas reducirán las lesiones personales.
- c) **Evite la puesta en marcha involuntaria. Asegúrese de que el interruptor está en la posición de apagado antes de conectar la herramienta a la fuente de alimentación y/o al paquete de baterías, recogerla o transportarla.** Llevar las herramientas eléctricas con el dedo en el interruptor o energizar las herramientas eléctricas con el interruptor encendido puede provocar accidentes.
- d) **Retire cualquier llave ajustable o inglesa antes de encender la herramienta eléctrica.** Si deja una llave ajustable o inglesa unida a una parte giratoria de la herramienta eléctrica, se pueden producir lesiones personales.
- e) **No se exceda. Mantenga en todo momento el equilibrio y fundamento adecuados.** Esto permite un mejor control de la herramienta eléctrica en situaciones inesperadas.
- f) **Vístase adecuadamente. No use ropa suelta ni joyas. Mantenga el cabello, la ropa y los guantes alejados de las piezas móviles.** La ropa suelta, las joyas o el cabello largo pueden quedar atrapados en las piezas móviles.
- g) **Si dispone de dispositivos para la conexión de las instalaciones de extracción y recolección de polvo, asegúrese de que estén conectadas y se utilizan correctamente.** El uso de la recolección de polvo puede reducir los peligros relacionados con el polvo. Se recomienda que la herramienta reciba alimentación siempre a través de un dispositivo de corriente residual con una corriente residual nominal de hasta 30 mA.

4) Uso y mantenimiento de las herramientas eléctricas

- a) **No fuerce la herramienta eléctrica. Use la herramienta eléctrica adecuada para su aplicación.** La herramienta eléctrica adecuada hará el trabajo mejor y de forma más segura al ritmo para el que esta fue diseñada.
- b) **No utilice la herramienta eléctrica si el interruptor no la enciende ni la apaga.** Cualquier herramienta eléctrica que no pueda ser controlada con el interruptor es peligrosa y debe ser reparada.
- c) **Desconecte el enchufe de la fuente de alimentación y/o el paquete de baterías de la herramienta eléctrica antes de realizar cualquier ajuste, cambiar los accesorios o guardar las herramientas eléctricas.** Estas medidas de seguridad preventivas reducen el riesgo de que la herramienta eléctrica se ponga en marcha accidentalmente.
- d) **Guarde las herramientas eléctricas inactivas fuera del alcance de los niños y no permita que personas que no estén familiarizadas con la herramienta eléctrica o con estas instrucciones operen la herramienta eléctrica.** Las herramientas eléctricas son peligrosas en manos de usuarios inexpertos.
- e) **Mantenimiento de las herramientas eléctricas. Compruebe si existe desalineación o atasco de las piezas móviles, rotura de piezas o cualquier otra condición que pudiera afectar al funcionamiento de la herramienta eléctrica. Si está dañada, repare la herramienta eléctrica antes de usarla.** Muchos accidentes suceden por una falta de mantenimiento de las herramientas eléctricas.
- f) **Mantenga las herramientas de corte afiladas y limpias.** Las herramientas de corte con bordes de corte afilados con un mantenimiento adecuado tienen menos probabilidades de atascarse y son más fáciles de controlar.
- g) Utilice la herramienta eléctrica y los accesorios de acuerdo con estas instrucciones, teniendo en cuenta las condiciones de trabajo y la tarea a realizar. El uso de la herramienta eléctrica para operaciones diferentes a las previstas podría desencadenar una situación peligrosa.
- h) El uso de una herramienta que no esté completamente montada podría provocar lesiones o daños materiales. No utilice esta herramienta hasta que esté completamente montada. Mantenga todas las sujeciones apretadas. Mantenga los ajustes según las especificaciones de la herramienta.

5) Reparación

- a) **Solicite que un técnico cualificado repare la herramienta eléctrica utilizando solamente piezas de repuesto idénticas.** Esto asegurará que se preserve la seguridad de la herramienta eléctrica. Si el cable de alimentación está dañado, este debe ser sustituido por el fabricante, su agente de reparación o personas cualificadas similares para evitar un peligro.

Advertencias de seguridad para operaciones de lijado

1. Esta herramienta eléctrica está diseñada para funcionar como una lijadora. Lea todas las advertencias de seguridad, instrucciones y especificaciones proporcionadas con esta herramienta eléctrica. Si no se siguen todas las instrucciones que se indican a continuación, se pueden producir descargas eléctricas, incendios o lesiones personales.
2. No se recomienda realizar operaciones tales como el esmerilado, cepillado de alambre, pulido o corte con esta herramienta eléctrica. Las operaciones para las que no se ha diseñado la herramienta pueden crear peligro y causar lesiones personales.
3. No utilice accesorios que no estén específicamente diseñados y recomendados por el fabricante de la herramienta. El hecho de que el accesorio se pueda acoplar a su herramienta eléctrica no garantiza un funcionamiento seguro.
4. La velocidad nominal del accesorio debe ser, al menos, igual a la velocidad máxima marcada en la herramienta eléctrica. Los accesorios que funcionan a una velocidad superior a su velocidad nominal pueden romperse y salir volando.
5. El diámetro exterior y el grosor de su accesorio deben estar dentro de la capacidad nominal de su herramienta eléctrica. Los accesorios de tamaño incorrecto no pueden protegerse o controlarse adecuadamente.
6. El tamaño del eje de las ruedas, bridas, almohadillas de apoyo o cualquier otro accesorio debe ajustarse al eje de la herramienta eléctrica. Los accesorios con orificios en el eje que no coincidan con las herramientas de montaje de la herramienta eléctrica se desequilibrarán, vibrarán excesivamente y podrían causar la pérdida de control.

7. No utilice accesorios dañados. Antes de cada uso, inspeccione el accesorio, como la rueda abrasiva, en busca de astillas o grietas, la almohadilla de apoyo en busca de grietas, desgarros o desgaste excesivo, y el cepillo de alambre en busca de alambres sueltos o agrietados. Si se cae una herramienta eléctrica o un accesorio, inspeccione si hay daños o instale un accesorio que no esté dañado. Después de inspeccionar o instalar un accesorio, colóquese o aleje a los espectadores del plano del accesorio giratorio y haga funcionar la herramienta eléctrica a la máxima velocidad en vacío durante un minuto. Los accesorios dañados se suelen romper durante este intervalo.
8. Utilice equipo de protección personal. Dependiendo de la aplicación, utilice una máscara protectora, gafas o anteojos de seguridad. Según corresponda, use mascarilla para el polvo, protectores auditivos, guantes y delantales de taller capaces de detener los desechos aéreos que se generan durante las distintas operaciones. La protección ocular debe ser capaz de detener los desechos aéreos que se generan durante las distintas operaciones. La mascarilla para el polvo o respirador deben ser capaces de filtrar las partículas generadas por sus operaciones. La exposición prolongada a ruidos de alta intensidad puede causar pérdida de audición.
9. Mantenga a los transeúntes a una distancia segura del área de trabajo. Toda persona que entre en el área de trabajo debe usar equipo de protección personal. Los fragmentos de las piezas de trabajo o un accesorio roto pueden desprenderse y causar lesiones más allá del área de operación inmediata.
10. Sujete la herramienta eléctrica agarrando las superficies aisladas (mango) únicamente cuando realice una operación en la que el accesorio de corte pueda entrar en contacto con cables ocultos o con su propio cable. El accesorio de corte que entra en contacto con un cable «bajo tensión» puede hacer que las partes metálicas expuestas de la herramienta eléctrica estén «bajo tensión» y provoquen una descarga eléctrica en el operador.
11. Coloque el cordón apartado del accesorio de rotación. Si usted pierde el control puede cortar o enganchar el cable y su brazo o mano puede ser empujada dentro del accesorio de rotación.
12. Nunca deje la herramienta eléctrica en el suelo hasta que el accesorio se haya detenido por completo. El accesorio de rotación puede agarrarse a la superficie y sacar la herramienta eléctrica de su control.
13. No accione la herramienta eléctrica mientras la lleva consigo. El contacto accidental con el accesorio de rotación podría enganchar su ropa, empujando el accesorio hacia su cuerpo.
14. Limpie regularmente los conductos de ventilación de las herramientas eléctricas. El ventilador del motor arrastrará el polvo dentro de la carcasa y la acumulación excesiva puede causar riesgos eléctricos.
15. No utilice la herramienta eléctrica cerca de materiales inflamables. Las chispas podrían encender estos materiales.
16. No utilice papel de lija demasiado grande. Siga las recomendaciones del fabricante al seleccionar el papel de lija. Un papel de lija más grande que se extienda más allá de la almohadilla de lija presenta un riesgo de laceración y puede causar enganches, desgarros en el disco o contragolpes.
17. Peligro de explosión. El lijado del suelo puede resultar en una mezcla explosiva de polvo fino y aire. Use la máquina lijadora de pisos solamente en un área bien ventilada y libre de llamas o fósforos.

Contragolpes y advertencias relacionadas

El contragolpe es una reacción repentina a una rueda giratoria, una almohadilla de apoyo, un cepillo o cualquier otro accesorio pinzado o enganchado. El pinzado o enganchando provoca un atasco rápido de la almohadilla de apoyo giratoria, lo que a su vez hace que la herramienta eléctrica descontrolada sea forzada en la dirección opuesta a la rotación de la almohadilla de apoyo en el punto de fijación.

Por ejemplo, si la pieza de trabajo provoca que una rueda abrasiva se enganche o pince, el borde de la rueda que se introduce en el punto de pinzado puede horadar la superficie del material haciendo que la rueda se salga o expulse. La rueda puede saltar desde o hacia el operador dependiendo de la dirección del movimiento de la rueda en el punto de pinzado. Las ruedas abrasivas también pueden romperse en estas condiciones.

El contragolpe es el resultado del mal uso de la herramienta eléctrica y de procedimientos o condiciones de funcionamiento incorrectos, y puede evitarse tomando las precauciones adecuadas que se indican a continuación.

1. Mantenga un agarre firme de la herramienta eléctrica y coloque su cuerpo y brazos para resistir las fuerzas del contragolpe. Utilice siempre manijas auxiliares, si se suministran, para un control máximo sobre las reacciones de contragolpe o par durante la puesta en marcha. El operador puede controlar las reacciones de las fuerzas de contragolpe o torque si se toman las precauciones adecuadas.
2. No coloque la mano nunca cerca del accesorio giratorio. El accesorio puede provocar un contragolpe en su mano.
3. No coloque su cuerpo en la zona donde la herramienta eléctrica se movería si se produjese un contragolpe. El contragolpe impulsará la herramienta en la dirección opuesta al movimiento de la rueda en el punto de enganche.
4. Tenga especial cuidado al trabajar en esquinas, bordes afilados, etc. Evite rebotar y que el accesorio se enganche. Las esquinas, los bordes afilados o los rebotes tienden a enganchar el accesorio giratorio y provocan la pérdida de control o el contragolpe.

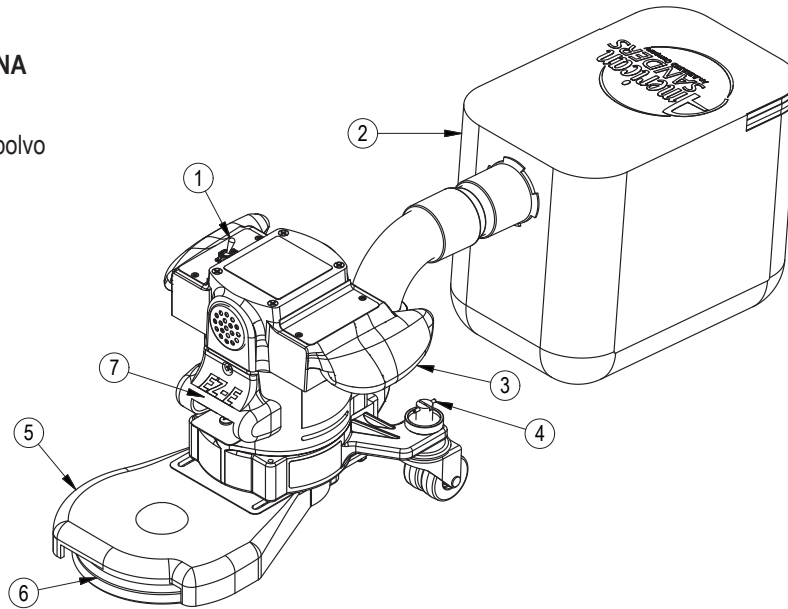
Reglas adicionales para un funcionamiento seguro

1. Vaciar la bolsa de polvo o el receptor de recolección de polvo con frecuencia. No dejar residuos desatendidos en la bolsa de polvo o en el receptor de recolección de polvo. Vaciarlo siempre en un recipiente metálico incombustible. El lijado de madera o barniz produce polvo que puede inflamarse por sí solo y causar lesiones o daños. Siga esta indicación para el almacenamiento.
2. Coloque todos los clavos expuestos. Barra el abrasivo suelto fuera del área de trabajo. No golpee los tubos metálicos, etc., con papel de lija. Golpear metal o partículas abrasivas con papel de lija produce chispas que pueden encender el polvo del lijado, lo que puede causar lesiones o daños.
3. No trabaje con una herramienta eléctrica parcialmente ensamblada. Mantenga todos los ajustes dentro de las especificaciones del fabricante. Mantenga todas las sujeciones apretadas. La utilización de una herramienta eléctrica parcialmente ensamblada podría causar lesiones al operador o a un transeúnte y podría provocar daños al equipo o en los alrededores.
4. No intente cambiar el papel de lija mientras la herramienta eléctrica esté funcionando. La almohadilla de lija puede enganchar la ropa y causar lesiones en las extremidades, y el papel de lija en movimiento puede causar abrasiones.
5. La herramienta eléctrica solo debe utilizarse en un sistema eléctrico (red) que esté clasificado para los requisitos eléctricos de la herramienta eléctrica, tal como se indica en la placa de especificaciones. Utilícelo solamente en un sistema de conexión (a tierra). No repare la herramienta eléctrica si recibe energía o está conectada a un circuito eléctrico. El uso inadecuado podría provocar un incendio o una descarga eléctrica.

Introducción

CONOZCA SU MÁQUINA

- 1 Interruptor de control
- 2 Bolsa recolectora de polvo
- 3 Manijas de operación
- 4 Ruedas ajustables
- 5 Cabezal extraíble
- 6 Protector de pared
- 7 Luz de trabajo



Modelo	07222A	07223A	07224A	07225A	07231A	07232A
Clasificación eléctrica	115 V, 12,0 A, 60 Hz	115 V, 12,0 A, 60 Hz	115 V, 12,0 A, 60 Hz	115 V, 12,0 A, 60 Hz	230 V, 6.0 A, 50 Hz	230 V, 12.0 A, 50 Hz
Estuche de almacenamiento	Estándar	Estándar	Estándar	Estándar	Estándar	Estándar
Motor	1 Hp	1 Hp	1 Hp	1 Hp	1 Hp	1 Hp
Tamaño del abrasivo	18cm x 2,2cm Dia. Disc	12,7cm Dia. Disc	18cm x 2,2cm Dia. Disc	12,7cm Dia. Disc	18cm x 2,2cm Dia. Disc	12,7cm Dia. Disc
Velocidad del disco	2800 rpm	3200 rpm	2800 rpm	3200 rpm	2800 rpm	3200 rpm
Sistema del conductor del disco	Accionado por correa	Accionado por correa	Accionado por correa	Accionado por correa	Accionado por correa	Accionado por correa
Cable de alimentación	12-3 goma gris	12-3 goma gris	12-3 goma gris	12-3 goma gris	H05V/F3G 1.5mm sq x 15.4m	H05V/F3G 1.5mm sq x 15.4m
Recolección de polvo	Estándar	Estándar	Estándar	Estándar	Estándar	Estándar
Tasa de control de polvo	110 CFM	110 CFM	110 CFM	110 CFM	110 CFM	110 CFM

Instrucciones para la la conexión eléctrica (120 V)

Cables de extensión (120 V)

Utilice únicamente un cable de extensión autorizado con tres conductores, un enchufe con tres terminales y un cuerpo del conector con tres orificios.

ADVERTENCIA: Si va a utilizar un cable de extensión, use uno de un calibre mínimo de 12 AWG. No use un cable de extensión de más de 50 pies. No una dos cables de extensión.

Cables de extensión (230 V)

Utilice únicamente un cable de extensión aprobado con dos conductores principales y uno de puesta a tierra.

ADVERTENCIA: Si va a utilizar un cable de extensión, use uno de un calibre mínimo de 1,50 mm². No use un cable de extensión de más de 15 metros. No una dos cables de extensión.

ADVERTENCIA: No corte, quite o rompa el terminal de conexión a tierra. No intente conectar un enchufe de tres terminales en un receptáculo o cuerpo conector en el que no encaje. Si el enchufe no encaja en el receptáculo o cuerpo conector, consulte con una persona autorizada para realizar la conexión.

Instrucciones para la la conexión eléctrica (120 V)

Instrucciones para la conexión a la fuente de alimentación y a tierra.

Este producto se debe conectar a tierra. En caso de mal funcionamiento o averías, la conexión a tierra proporciona una vía de menor resistencia para la corriente eléctrica a fin de reducir el riesgo de choques eléctricos. Este producto está equipado con un cable que tiene un conductor que pone el equipo a tierra y un enchufe de conexión a tierra. El enchufe se debe insertar en un tomacorriente adecuado que esté instalado debidamente y puesto a tierra de conformidad con todos los códigos y las normas locales.

⚠️ ADVERTENCIA : La conexión incorrecta del conductor de puesta a tierra del equipo puede resultar en riesgos de choque eléctrico. Consulte con un electricista o un técnico de servicio calificados si tiene alguna duda con respecto a si el tomacorriente está puesto a tierra adecuadamente. No modifique el enchufe suministrado con la máquina. Si no encaja en el tomacorriente, contacte a un electricista calificado para que instale un tomacorriente adecuado.

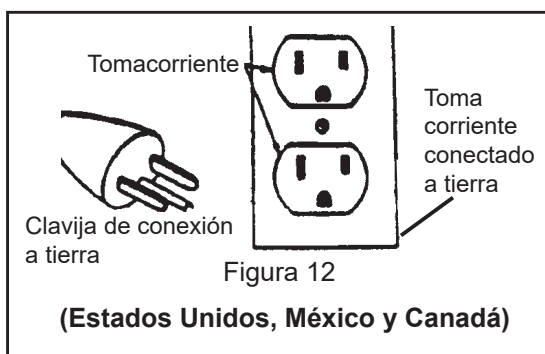
Este producto está diseñado para utilizarse en un circuito de potencia nominal de 120 voltios, y tiene un enchufe de conexión a tierra semejante al enchufe ilustrado en la Fig. 12. Asegúrese de que el producto esté conectado a un tomacorriente que tenga la misma configuración que el enchufe. No se deben utilizar adaptadores con este producto. Siempre conecte la máquina a una línea eléctrica dedicada de 20 amperios para evitar el accionamiento del disyuntor y la sobrecarga de la línea debido a otros dispositivos.

⚠️ ADVERTENCIA : Para evitar el riesgo de choques eléctricos, proteja la máquina de la lluvia. Guárdela en un lugar seco.

⚠️ ADVERTENCIA : Para evitar el riesgo de choques eléctricos, siempre use un sistema eléctrico de tres conductores con conexión a tierra. Para una protección óptima contra choques eléctricos, utilice un circuito protegido por un interruptor de falla a tierra. Consulte con su contratista electricista.

⚠️ ADVERTENCIA : No corte, quite o rompa la clavija de conexión a tierra. Si el enchufe no encaja en el tomacorriente, consulte con su contratista electricista.

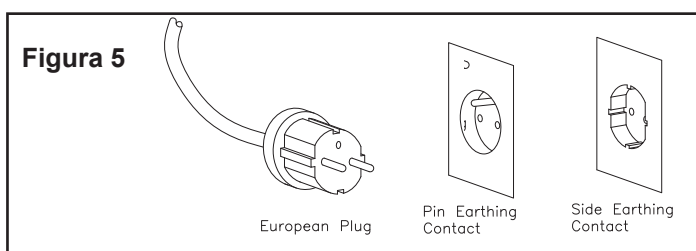
⚠️ ADVERTENCIA : Los cables desgastados, cortados o dañados los debe reemplazar un técnico de servicio autorizado.



Instrucciones para la la conexión eléctrica (230V)

⚠️ PRECAUCIÓN: Esta máquina funciona únicamente con la frecuencia de CA y el voltaje que se indican en la placa de identificación. Asegúrese de que la frecuencia y el voltaje sean adecuados antes de conectar el cable de alimentación tomacorriente.

La máquina se debe conectar tierra para proteger al operador de choques eléctricos. La máquina tiene un cable de alimentación con dos conductores principales y uno de puesta a tierra. Conecte el enchufe en el tipo de receptáculo que se muestra en la figura 5. El cable conductor verde y amarillo es el cable de conexión a tierra. Nunca conecte este cable a otro terminal que no sea el de conexión a tierra.



⚠️ ADVERTENCIA : Siempre use esta máquina con un sistema eléctrico de CA de tres conductores conectado a tierra. Reemplace los cables que estén desgastados, cortados o dañados. Reemplace los enchufes, los receptáculos o los cuerpos conectores que estén dañados. No pase la máquina por encima del cable eléctrico. Siempre levante el cable por encima de la máquina.

Configuración de la máquina

Esta máquina lijadora está diseñada para funcionar con un sistema remoto de recolección de polvo por succión o con la bolsa de polvo incluida.

Preparación de los sistemas remotos de recolección de polvo por succión

Para preparar la máquina para sistemas remotos de recolección de polvo por succión que tengan un extremo de manguera de 2", siga este procedimiento:

1. Instale el extremo de la manguera de 2" (imagen 1, A) directamente sobre el tubo de escape (imagen 1, B).
2. El tubo de escape se puede girar para mayor comodidad.

Para preparar la máquina para sistemas remotos de recolección de polvo por succión que tengan un extremo de manguera de 1 ½", siga este procedimiento:

1. Instale el adaptador del extremo de la manguera de 2" x 1 ½" (nº de pieza 30563A) (imagen 1, C) sobre el tubo de escape (imagen 1, B).
2. Inserte el extremo de la manguera 1 ½" (imagen 1, D) en el adaptador (imagen 1, C).

NOTA: Inicie el sistema remoto de recolección por succión antes de la puesta en marcha.

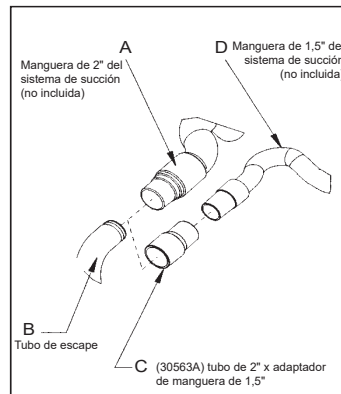


Imagen 1

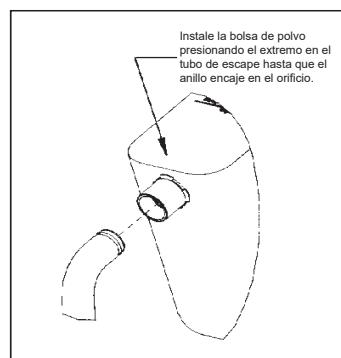


Imagen 2

Preparación para el uso de la bolsa de polvo incluida

Para preparar la máquina para su uso con la bolsa de polvo incluida (nº de pieza 53544B), siga este procedimiento:

1. Instale la bolsa de polvo presionando el extremo en el tubo de escape hasta que el anillo encaje en el orificio (figura 2). Para un encajado adecuado, aconsejamos presionar la parte posterior de la abertura de la bolsa con la palma de la mano.
2. El tubo de escape se puede girar para mayor comodidad.
3. Para retirar la bolsa de polvo del tubo de escape, haga palanca en el extremo de la abertura de la bolsa para liberar parcialmente la nervadura interna del hueco, y luego tire de ella.
4. Para vaciar la bolsa de polvo, abra la cremallera de la tapa de eliminación y fuerce el contenido invirtiendo la bolsa.

NOTA: Para obtener mejores resultados, vacíela frecuentemente. Siga todas las advertencias incluidas en este manual y en la bolsa de polvo.

Preparación de la máquina para su funcionamiento

1. Familiarícese con la máquina. Lea todas las indicaciones de peligro, advertencia y precaución, así como el manual del usuario antes de utilizar esta máquina.
2. La máquina acepta o bien el velcro, o bien un disco con abrasivo de agujero central. La herramienta está equipada con un tornillo de retención y una arandela para su uso con el abrasivo de agujero central. Cuando instale el disco abrasivo, procure centrar el disco en el conductor. (Imagen 3)

NOTA: Para evitar dañar la superficie del gancho en el conductor al lijar pintura, barniz o cera gruesas, se recomienda apilar dos discos sobre el conductor utilizando un abrasivo de capa abierta.

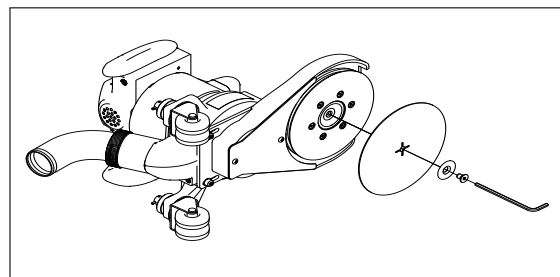


Imagen 3

Conversión de cabezales

Retirar el cabezal de lijado

1. Asegúrese de que el interruptor de control esté en la posición «OFF» y desconecte la espiral del motor del cable de alimentación. (Imagen 6)
2. Con un destornillador Phillips, retire los dos tornillos «A» que fijan la protección de la correa. Retire la protección de la correa. (Imagen 4)
3. Con un cabezal de 7/16", quite las cuatro tuercas «B» que aseguran el cabezal. (Imagen 4)
4. Levante el cabezal sobre la máquina, asegurándose de que la correa se desliza sobre la polea del motor.

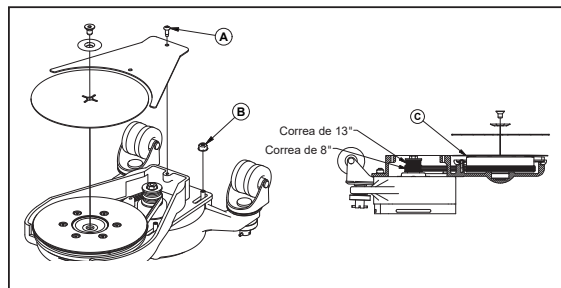


Imagen 4

Instalación del cabezal de lijado

1. Coloque el cabezal en la máquina, asegurándose de que la correa esté colocada alrededor de la pulea del motor. Coloque la correa en las ranuras más bajas (las más cercanas al motor) para la extensión de 8". Coloque la correa en las ranuras más altas (las más alejadas del motor) para la extensión de 13". (Imagen 4)
2. Ponga las cuatro tuercas «B» con la mano, pero sin apretarlas.
3. Gire el conductor de la almohadilla «C» para asegurarse de que la correa está en las ranuras adecuadas.

PRECAUCIÓN: Se producirá un rápido desgaste de la correa si no está correctamente alineada.

4. Tense la correa y apriete las tuercas «B» con un cabezal de 7/16".

NOTA: La tensión debe ser lo suficientemente elevada para que la correa no resbale durante el uso. Una tensión excesiva disminuirá la vida útil del cojinete y de la correa.

5. Asegure la protección de la correa con tornillos «A».

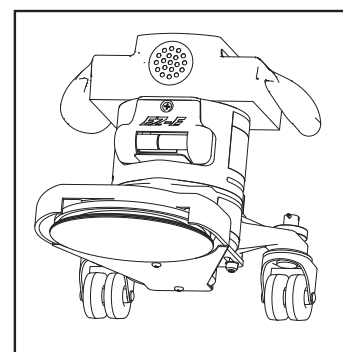


Imagen 5

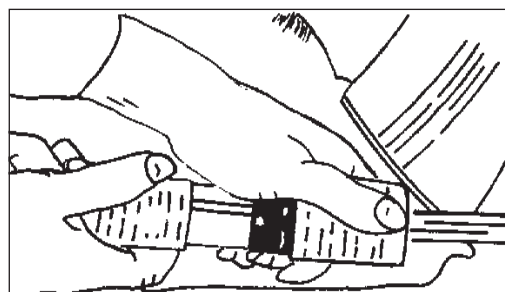


Imagen 6

3. Con la máquina en posición reclinada, agarre firmemente ambas manijas y coloque el interruptor de control en la posición «ON». (Imagen 5)
4. Poco a poco, baje la almohadilla a la superficie destinada al lijado. Asegúrese de que la máquina esté en movimiento mientras la almohadilla está enganchada a la superficie a lijar. Puede realizar movimientos circulares amplios a medida que lija a lo largo de la superficie o puede usar una combinación de movimientos hacia delante y hacia los lados. Con el tiempo desarrollará su propia técnica para optimizar la cobertura y la recuperación de polvo. Es aconsejable no añadir esfuerzo a la almohadilla, ya que esto puede provocar que se «hunda» o se «incline», lo que genera surcos o líneas en la superficie.
5. Cuando reemplace el abrasivo, vacíe el contenido de la bolsa de polvo o termine la operación de lijado, coloque la máquina en posición reclinada, ponga el interruptor de control en «OFF» y luego desconecte la espiral del motor del cable de alimentación.
6. Vacíe la bolsa de polvo cada vez que se llene 1/3 de su capacidad.

Instrucciones de funcionamiento

⚠ ADVERTENCIA: Se pueden producir lesiones corporales si llega corriente a la máquina con el interruptor de alimentación en la posición «ON». Compruebe siempre que el interruptor de alimentación esté en la posición «OFF» antes de aplicar corriente al cable de alimentación.

1. Mueva la máquina a la ubicación de su trabajo. Coloque y golpee los clavos expuestos con un martillo para evitar su contacto con el abrasivo.
2. Asegúrese de que el interruptor de control esté en la posición «OFF» y, a continuación, conecte el cable de alimentación a un circuito con fusible debidamente conectado a tierra. Conecte el cable de alimentación a la espiral del motor. (Imagen 6)

⚠ PELIGRO: Si no desconecta el cable de alimentación de la máquina cuando se realice la reparación, se reemplace el abrasivo o se vacíe la bolsa de polvo, podría producirse una electrocución o lesiones graves. Nunca deje la máquina desatendida mientras el cable de alimentación esté conectado.

⚠ PELIGRO: Nunca deje la bolsa de polvo desatendida con polvo de lijado dentro. El polvo del lijado puede inflamarse espontáneamente y provocar un incendio o una explosión. Vacíe la bolsa de polvo en un recipiente metálico, libre de cualquier combustible. No vacíe el contenido en el fuego. No llene demasiado la bolsa de polvo.

Procedimientos de ajuste

Nivelación

Esta máquina se puede nivelar sin herramientas. Apriete el tornillo de ajuste «A» y afloje la tuerca de seguridad «B». (Imagen 7).

Condición: la almohadilla crea surcos en ambos bordes o se experimenta un «salto»: gire ambos tornillos de ajuste por igual en el sentido de las agujas del reloj. Apriete las tuercas de seguridad y pruebe en una pieza de madera contrachapada. Repita el procedimiento hasta que se corrija el trastorno. Recomendamos que no exceda una rotación de 1/8" en cada intento.

Condición: la almohadilla crea un surco en la punta de la almohadilla: gire ambos tornillos de ajuste en sentido contrario a las agujas del reloj, apriete las tuercas de seguridad y pruebe. Repita el procedimiento hasta que se corrija el trastorno. Utilice solamente una rotación de 1/8 en cada intento.

Condición: la almohadilla crea un surco en un solo lado de la almohadilla: gire el tornillo de ajuste del lado afectado en el sentido de las agujas del reloj o gire el tornillo de ajuste en sentido contrario a las agujas del reloj, dependiendo de si el surco termina más allá de la punta de la almohadilla o antes de esta. Si es anterior a la punta, ajuste el lado afectado, de lo contrario, ajuste el lado opuesto.

NOTA: Si se cambian los cabezales de la máquina, será necesario volver a nivelarla.

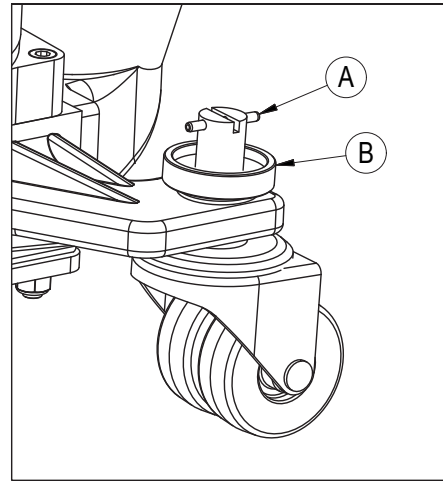


Imagen 7

Mantenimiento rutinario

PRECAUCIÓN: Si no se realiza el mantenimiento en los periodos recomendados, la garantía puede quedar anulada.

Escobillas de carbón

Reemplace las escobillas de carbón por lo menos cada 500 horas y con más frecuencia si se usan mucho.

Bolsa de polvo

La bolsa de polvo se debe voltear desde su interior periódicamente, agitar energicamente y la máquina se debe lavar en agua fría para evitar la obstrucción de los poros y la pérdida de control del polvo.

Cojinetes

Para asegurar un rendimiento fiable, inspeccione los cojinetes de la armadura y del conductor de la almohadilla para ver si están desgastados o dañados cada 1500 horas. Si se utilizan mucho, reemplace los cojinetes estacionalmente.

Correa

La correa debe inspeccionarse cada 500 horas. Reemplazar si hay grietas o signos de desgaste.

PRECAUCIÓN: El mantenimiento y las reparaciones realizadas por personal no autorizado podrían ocasionar daños o lesiones. El mantenimiento y las reparaciones realizadas por personal no autorizado anularán la garantía. Si no se realiza el mantenimiento en los periodos recomendados, la garantía puede quedar anulada.

Mantenimiento

Escobillas de carbón

Inspeccionar las cuatro escobillas cada 6 meses o 250 horas. El acceso a las escobillas se obtiene a través de los tapones de ventilación del motor delantero y trasero, y debajo de ambas cubiertas del motor (imagen 8). Presione la pestaña (A) en el ensamblaje de la abrazadera de resorte, gírela, luego retírela (imagen 9). Utilice pinzas de punta para desconectar el cable de derivación. Si alguna escobilla se ha desgastado hasta 3/8" de largo o menos, reemplace el juego completo.



PRECAUCIÓN: Utilice solamente escobillas de motor PN 40818A o PN 40055A con cable de derivación o se producirá un fallo del motor.

Cuando reemplace las escobillas, asegúrese de que la escobilla se asiente contra el conmutador, el resorte descansa en el hueco de la escobilla y la escobilla pueda desplazarse libremente. Cuando devuelva la cubierta del interruptor, mantenga los cables alejados del conmutador y de cualquier lugar donde haya enganches.

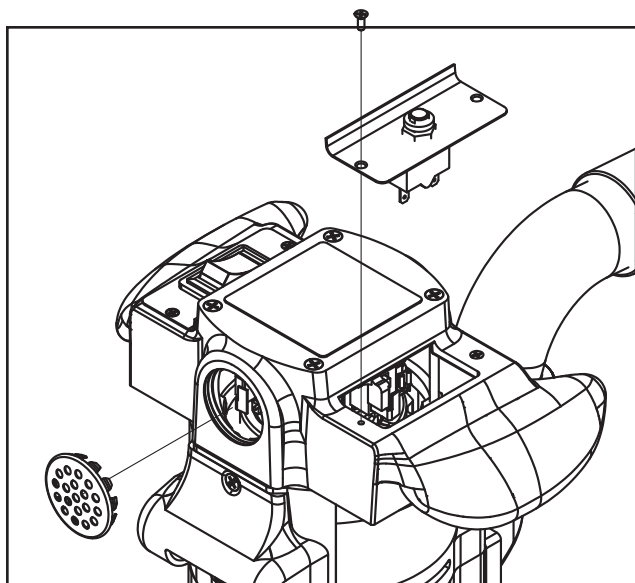


Imagen 8

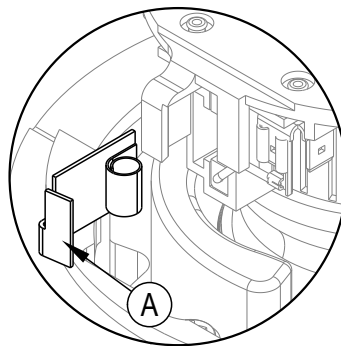


Imagen 9

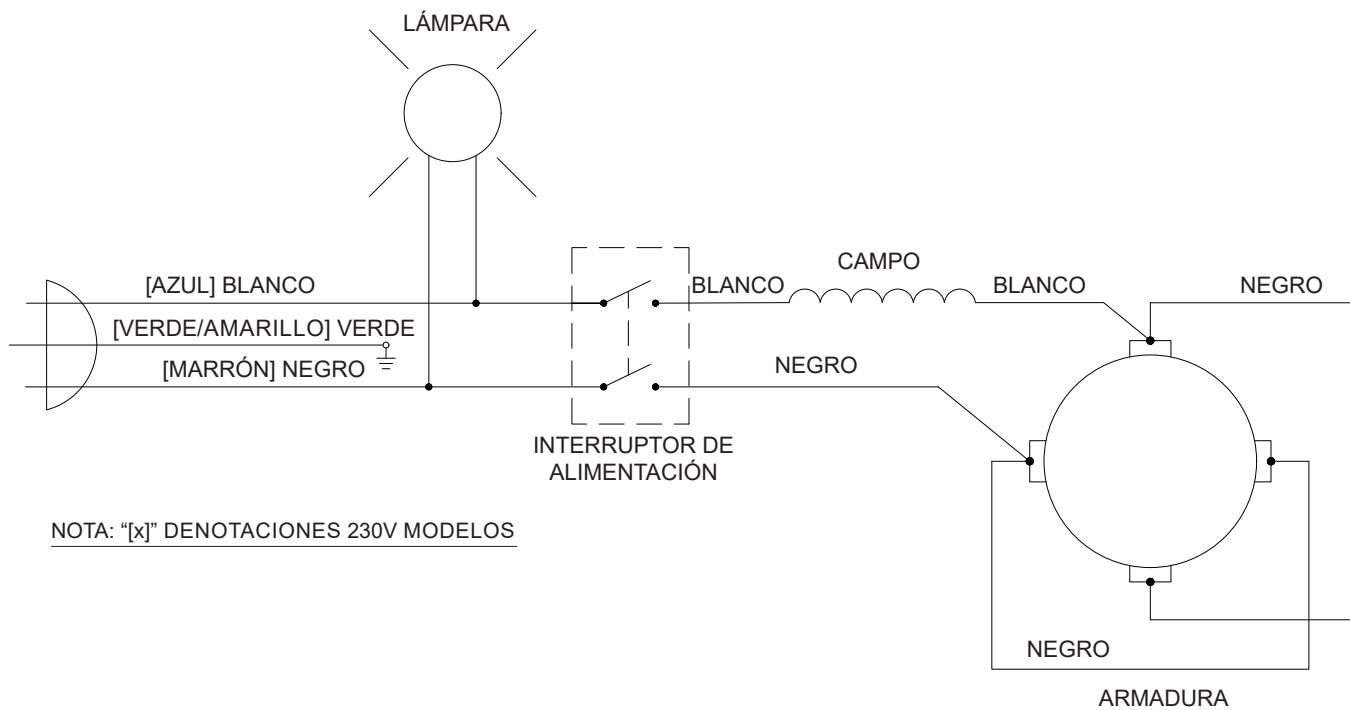
EZ-E

Manual del operador

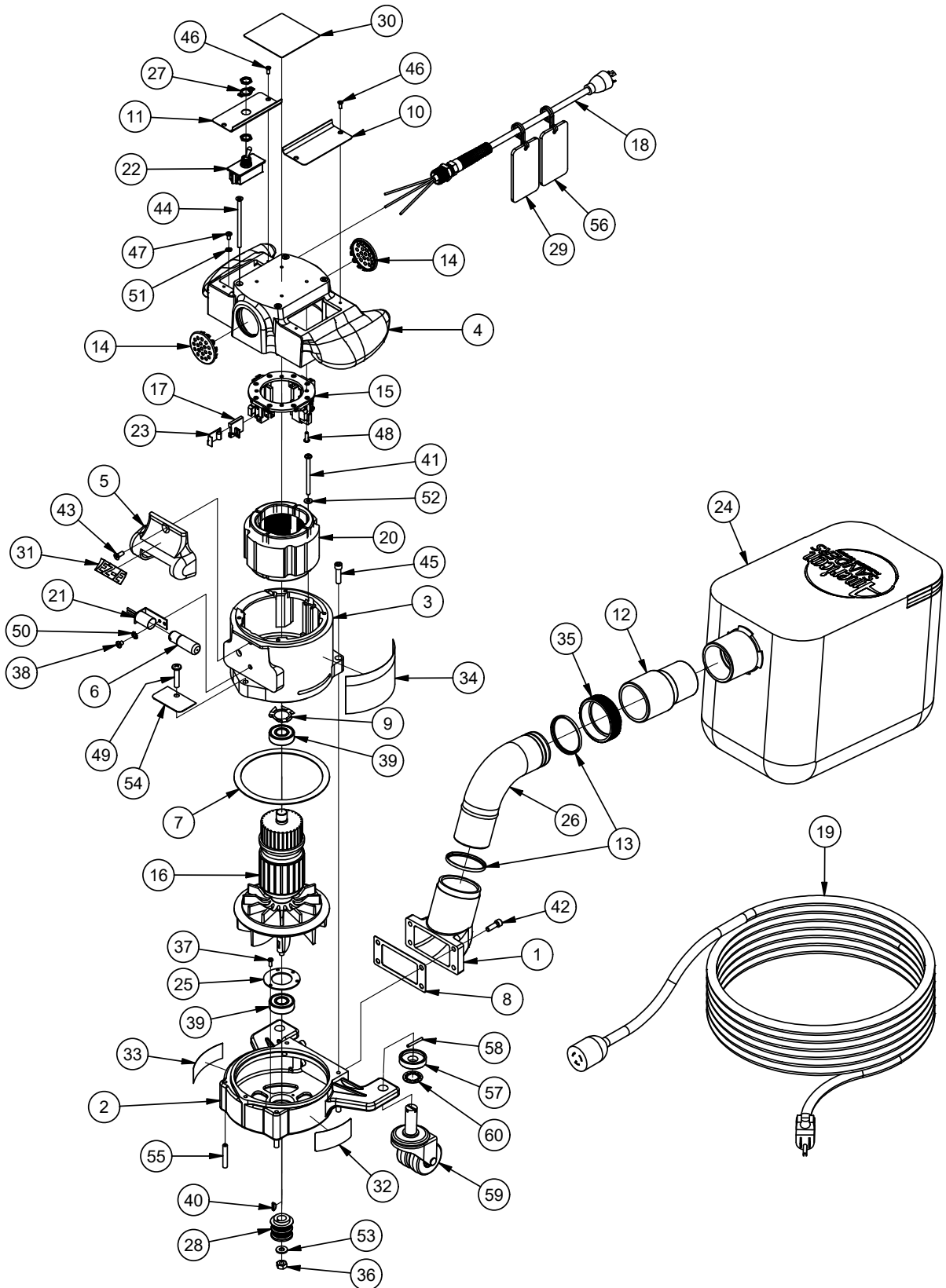
Notas:



Diagrama de cableado



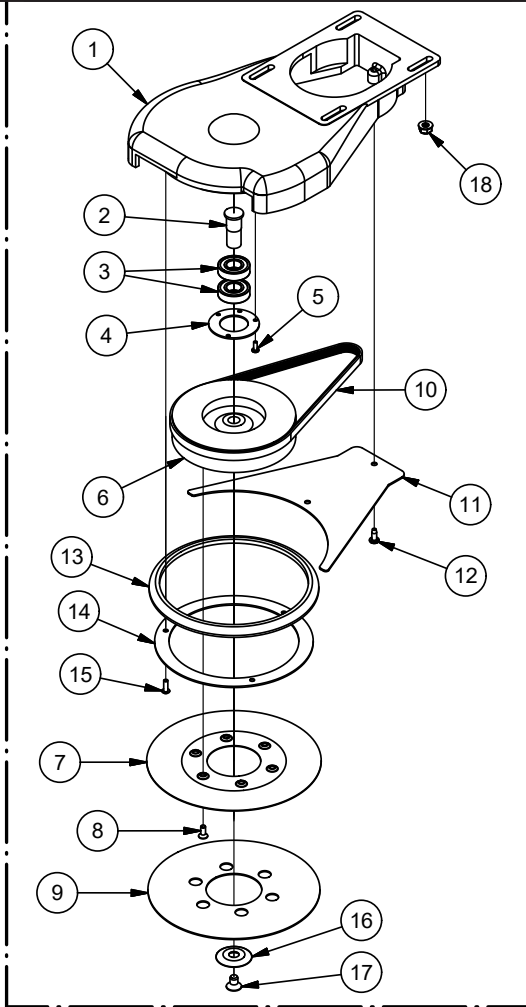
ENSAMBLAJE SUPERIOR



ENSAMBLAJE SUPERIOR

LISTA DE PIEZAS				LISTA DE PIEZAS			
ARTÍCULO	CANTIDAD	NÚMERO DE PIEZA	DESCRIPCIÓN	ARTÍCULO	CANTIDAD	NÚMERO DE PIEZA	DESCRIPCIÓN
1	1	AS018901	ESCAPE, ADAPTADOR, NEGRO	29	1	70175A	ETIQUETA ADVERTENCIA ENG-SPN
2	1	AS030900	CARCASA, VENTILADOR, EZ-E	30	1	AS014300	PLACA DE IDENTIFICACIÓN, AMERICAN SANDERS, 3"
3	1	AS017601	CARCASA, MOTOR, NEGRO	31	1	AS030600	DECAL, EZ-E, 0,72 X 1,97
4	1	AS017701	CUBIERTA, MOTOR, NEGRO	32	1	56380216	DECAL, PRECAUCIÓN HERRAMIENTA ELÉCTRICA
5	1	AS031100	PROTECCIÓN, LÁMPARA, NEGRO	33	1	56380639	DECAL-PROP 65
6A	1	AS010200	LÁMPARA, 120 V, LED, DC, BAYONETA (07222A, 07223A, 07224A, 07225A)	34	1	73285A	ETIQUETA, ADVERTENCIA
6B	1	AS037500	LÁMPARA, 230 V, LED, DC, BAYONETA (07231A, 07232A)	35	1	80276A	TUERCA, JUNTA DESLIZANTE, 2 X 2
7	1	293403	JUNTA, VENTILADOR DE ESCAPE, DEFLECTOR	36	1	81302A	TUERCA, SEGURIDAD, HEX, 1/4-20, ZINC
8	1	293406	JUNTA, ESCAPE, BRKT 95	37	5	85313C	TORNILLO 6-32 X 3/8 PAN HD
9	1	298306	RESORTE, CARGA, 56	38	1	85393A	TORNILLO, 10-24 X 1/4, PN SZ PH
10	1	AS032300	CUBIERTA, ESCOBILLA, IZQUIERDO, NEGRO	39	2	902567	RODAMIENTO DOBLEMENTE SELLADO
11	1	AS032200	CUBIERTA, ESCOBILLA, DERECHA, NEGRO	40	1	915561	LLAVE 1/8 X 1/2 WOODRUFF
12	1	30563A	2" X 1,50" ADAPTADOR DE MANGUERA	41	2	962211	TORNILLO, 10-24 X 2,5, RD P ST
13	2	30613A	JUNTA, TUBOS, BORDEADORAS	42	4	962289	TORNILLO, 1/4-20 X 3/4 CABEZAL HD
14	2	306802	ENCHUFE, VENT	43	1	962310	TORNILLO, 10-24 X 1/2
15	1	40130A	SOPORTE ASM. ESCOBILLA	44	4	962404	TORNILLO, 10-24 X 3-1/4, FH, ST, PH
16A	1	40321A	ARMADURA ASM, 120V (07222A, 07223A, 07224A, 07225A)	45	1	962454	TORNILLO, 1/4 - 20 X 1, SC ST TAPA
16B	1	40324A	ARMADURA ASM, 230V (07231A, 07232A)	46	7	962545	TORNILLO, 6-32 X 3/8, PLANO HD
17	4	40818A	ESCOBILLA, CARBONO	47	1	962550	TORNILLO, 8-32 X 5/16
18A	1	41960A	CABLE DE INTERCONEXIÓN (07222A, 07223A, 07224A, 07225A)	48	1	962727	TORNILLO, 8-32 X 1/2 PN ST TP23 PH
18B	1	AS020700	CABLE, COLETA, LIJADORA, 1.5MM (07231A, 07232A)	49	1	962988	TORNILLO, 1/4-20 X 1-1/4, PN, ST, PH
19A	1	40540A	JUEGO DE CABLES, 12-3 X 40 PIES 5-15 P (07222A, 07223A, 07224A, 07225A)	50	1	980603	ARANDELA, LK 10 EXT DENTADA
19B	1	MP514000	CABLE, FUENTE DE ALIMENTACIÓN AUSTRALIA (07231A, 07232A)	51	1	980621	ARANDELA, CIERRE, EXT DENTADA
20A	1	42820A	CAMPO Y BOBINA ASM 115 V (07222A, 07223A, 07224A, 07225A)	52	2	980643	ARANDELA, 7/16 OD X 0,36 ESP.
20B	1	42819A	CAMPO Y BOBINA ASM 240 V (07231A, 07232A)	53	1	980646	ARANDELA 1/4 SAE PLANO PLTD
21	1	46902A	CONJUNTO DE CABEZAL	54	1	AS032400	REFLECTOR, LUZ
22	1	47394A	INTERRUPTOR DPST 16 A/125 V SUPER	55	4	NB074000	TORNILLO, JUEGO, 1/4-20 X 1 1/2"
23	4	50932A	PORTA ESCOBILLAS DE RESORTE	56	1	70175A-FR	ETIQUETA ADVERTENCIA ENG-FRN
24	1	53544B	BOLSA, BORDEADORA	57	2	AS035900	TUERCA, SEGURIDAD, M16, 1,5" OD, MOLETEADO
25	2	57396A	SOPORTE, COJINETE, 2" O.D.	58	2	NB074400	PASADOR, ROLLO, 1/8 X 1 1/8
26	1	61564A	TUBO, ESCAPE	59	2	AS036000	CASTER, 2", DUAL, AGUJERO 1/8"
27	1	646302	INTERRUPTOR DE PLACA	60	2	NB074600	ARANDELA, ESTRELLA LK, 5/8 INT. DENTADA
28	1	AS031400	POLEA, MOTOR, ACCIONAMIENTO, EZ-E				

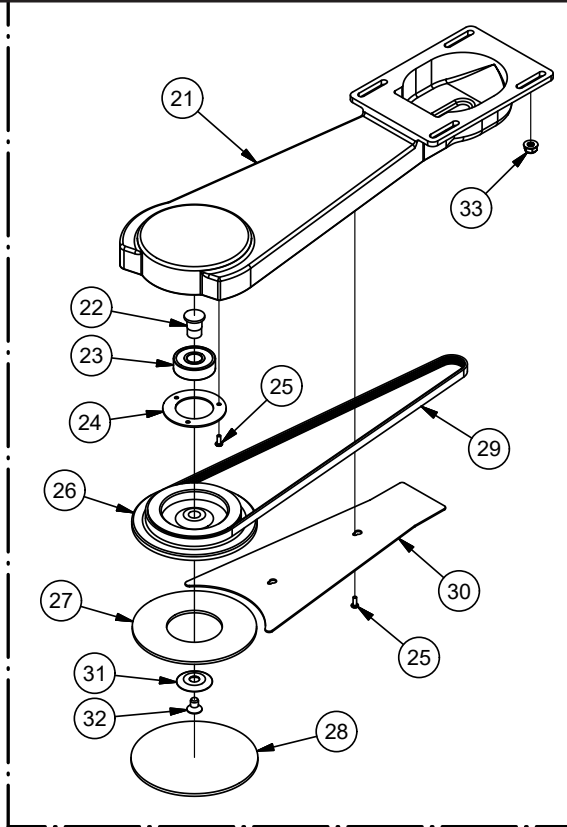
EZ-E 8" JUEGO DE EXTENSIÓN: PIEZA# SA035200



LISTA DE PIEZAS DE EXTENSIÓN DE 8" (PIEZAS INDIVIDUALES)

ARTÍCULO	CANTIDAD	PARTE#	DESCRIPCIÓN
1	1	AS030100	EXTENSIÓN, 8", EZ-E
2	1	67469A	EJE 7 CONDUCTOR ALMOHADILLA SUPER 7E
3	2	56380282	RODAMIENTO 6002 CUSTOM
4	2	57396A	SOPORTE, COJINETE, 2" O.D.
5	3	85313C	TORNILLO 6-32 X 3/8 PAN HD
6	1	AS031600	POLEA, 7" PAD, 8" EXT.
7	1	61851A	DISCO DE LIJADO
8	6	962348	SCR 10-24 X 1/2 SF ST TAPA
9	1	39864A	ALMOHADILLA VELCRO
10	1	AS032600	CORREA, 4V220
11	1	AS032000	PROTECCIÓN, CORREA, 8" EXT.
12	2	85517A	TORNILLO #10-24 X 1/2 PHCR TIPO 23
13	1	34109A	DISCO PROTECTOR SUPER 7E
14	1	66973A	SOPORTE, PROTECCIÓN, DISCO DE 7"
15	5	962727	TORNILLO, 8-32 X 1/2 PN ST TP23 PH
16	1	66965A	SOPORTE ABRASIVO SUPER 7E
17	1	NB055600	TORNILLO, SFCS, 5/16-18 X 5/8", SS
18	4	AS030700	TUERCA, BRIDA, 1/4-20, NYLOC

EZ-E 13" JUEGO DE EXTENSIÓN: PIEZA# SA035300



LISTA DE PIEZAS DE EXTENSIÓN DE 13" (PIEZAS INDIVIDUALES)

ARTÍCULO	CANTIDAD	PARTE#	DESCRIPCIÓN
21	1	AS030200	EXTENSIÓN, 13", EZ-E
22	1	58321A	EJE CONDUCTOR ALMOHADILLA SUPER 7E
23	1	51111A	RODAMIENTO
24	1	66964A	SOPORTE, COJINETE, 2,5" O.D.
25	5	85313C	TORNILLO 6-32 X 3/8 PAN HD
26	1	AS031500	POLEA, ALMOHADILLA 5", 13" EXTENSIÓN
27	1	AS030500	ALMOHADILLA 5" O.D. VELCRO
28	1	AS003500	ALMOHADILLA, ESPUMA, 5"
29	1	AS032500	CORREA, 4V360
30	1	AS031900	PROTECCIÓN, CORREA, 13" EXT.
31	1	66965A	SOPORTE ABRASIVO SUPER 7E
32	1	NB055600	TORNILLO, SFCS, 5/16-18 X 5/8", SS
33	4	AS030700	TUERCA, BRIDA, 1/4-20, NYLOC

LIRE CE MANUEL

Ce manuel contient des informations importantes pour l'utilisation et le fonctionnement en toute sécurité de cette machine. Le fait de ne pas lire ce manuel avant d'utiliser ou de tenter d'utiliser votre machine American Sanders ou d'effectuer toute activité d'entretien ou de maintenance pourrait entraîner des blessures pour vous ou des tiers ainsi que des dommages de la machine ou d'autres biens. Vous devez avoir reçu une formation sur le fonctionnement de cette machine avant de l'utiliser. Si votre ou vos opérateur(s) ne peut(vent) pas lire ce manuel, faites-le expliquer en détail avant d'essayer d'utiliser cette machine.

Toutes les instructions données dans ce manuel sont vues du poste de conduite à l'arrière de la machine.

FR

Sommaire

Consignes de sécurité pour l'utilisateur.....	32-35
Introduction.....	36
Instructions concernant le raccordement électrique.....	36-37
Configuration de la machine.....	38
Instructions d'utilisation.....	39
Réglages.....	40
Maintenance.....	41
Manuel des pièces.....	42
Schéma de câblage.....	43
Ensemble supérieur.....	44-45
Ensemble inférieur.....	46
Garantie.....	49




AVERTISSEMENT !


Les produits vendus avec ce manuel contiennent ou peuvent contenir des produits chimiques connus par certains gouvernements (comme l'État de Californie, tel qu'identifié dans sa Proposition 65) comme causes de cancer, de malformations congénitales et d'autres troubles de l'appareil reproducteur. Dans certains endroits (y compris l'État de Californie), les acheteurs de ces Produits qui les mettent en service sur un lieu de travail ou dans un espace accessible au public sont tenus par la réglementation d'émettre certains avis, mises en garde ou divulgations concernant les produits chimiques qui sont ou peuvent être contenus dans les produits sur ces lieux de travail. Il est de la responsabilité de l'acheteur de connaître le contenu et de se conformer à toutes les lois et réglementations relatives à l'utilisation de ces Produits dans ces environnements. Le Fabricant décline toute responsabilité d'informer les acheteurs de toute exigence spécifique pouvant s'appliquer à l'utilisation des Produits dans de tels environnements.


Ce produit est destiné à un usage commercial uniquement


Consignes de sécurité pour l'utilisateur

Dans ce manuel d'utilisation, vous trouverez trois instructions que vous devez lire et respecter pour assurer un fonctionnement sûr de cette machine.


 **DANGER** signifie : Risque de blessures graves ou de mort pour vous ou des tiers si les consignes de **DANGER** figurant sur cette machine ou dans ce manuel d'utilisation ne sont pas respectées ou appliquées. Lisez et respectez toutes les consignes **DANGER** figurant dans ce manuel d'utilisation et sur votre machine.

 **AVERTISSEMENT** signifie : Risque de blessures pour vous ou des tiers si les consignes **AVERTISSEMENT** figurant sur cette machine ou dans ce manuel d'utilisation ne sont pas respectées ou appliquées. Lisez et respectez toutes les consignes **AVERTISSEMENT** figurant dans ce manuel d'utilisation et sur votre machine.

 **ATTENTION** signifie : Risque de dommages pour la machine ou d'autres biens si les consignes **ATTENTION** figurant sur cette machine ou dans ce manuel d'utilisation ne sont pas respectées ou appliquées. Lisez et respectez toutes les consignes **ATTENTION** figurant dans ce manuel d'utilisation et sur votre machine.


 **DANGER :** Le fait de ne pas lire le manuel d'utilisation avant d'utiliser ou d'entretenir votre machine American Sanders peut entraîner des blessures pour vous ou des tiers ainsi que des dommages de la machine ou d'autres biens. Vous devez avoir reçu une formation sur le fonctionnement de cette machine avant de l'utiliser. Si vous ou vos opérateurs ne pouvez pas lire l'anglais, demandez une explication complète de ce manuel avant d'essayer d'utiliser cette machine.



 **DANGER :** A. Le ponçage/la finition des planchers de bois peut créer un environnement explosif ou combustible. N'utilisez pas cette machine à proximité de solvants, diluants, alcools, carburants, enduits de sol, poussière de bois ou tout autre matériau inflammable. Les allume-cigares, les veilleuses, les étincelles électriques et toute autre source d'inflammation doivent être éteints ou évités. Gardez la zone de travail bien ventilée.




B. La poussière générée par le ponçage des planchers de bois peut s'enflammer ou exploser spontanément. Éliminez rapidement toute poussière de ponçage dans un contenant métallique exempt de tout combustible. Ne la jetez pas au feu.

 **DANGER :** A. Il existe un risque d'électrocution si la machine est en cours d'entretien alors qu'elle est connectée à une source d'alimentation. Débranchez l'alimentation électrique avant de procéder à l'entretien.




B. Il existe un risque d'électrocution ou d'incendie si la machine est utilisée avec un cordon d'alimentation endommagé. Gardez le cordon d'alimentation à l'écart du patin. Soulevez toujours le cordon au-dessus de la machine. Ne déplacez pas la machine par le cordon d'alimentation.


C. Risque de choc. N'utilisez pas la machine si elle a pris l'eau ou a été arrosée d'eau.

 **DANGER :** Pour éviter les blessures, gardez les mains, les pieds et les vêtements amples à l'écart de toutes les pièces mobiles de la machine. Débranchez le cordon d'alimentation avant de remplacer le tampon, de changer l'abrasif ou d'effectuer un entretien. N'utilisez pas la machine si tous les dispositifs de protection ne sont pas en place. Ne laissez jamais la machine sans surveillance lorsqu'elle est connectée à une source d'alimentation.





 **AVERTISSEMENT :** Des blessures peuvent se produire si des vêtements ou équipements de protection ne sont pas utilisés pendant le ponçage. Portez toujours des lunettes de sécurité, des vêtements de protection et un masque anti-poussière lors du ponçage.



 **AVERTISSEMENT :** Cette ponceuse ne doit pas être utilisée sur du bois traité sous pression. Certains bois traités sous pression contiennent de l'arsenic et le ponçage du bois traité sous pression produit de la poussière dangereuse. L'inhalation de poussières dangereuses provenant de bois traité sous pression peut causer des blessures graves ou la mort. Le ponçage de planchers de bois traité sous pression ou de surfaces inégales peut endommager la ponceuse, ce qui n'est pas couvert par la garantie ou l'assurance pertes et dommages.



 **AVERTISSEMENT :** Toute modification ou altération de cette machine pourrait endommager la machine ou blesser l'opérateur ou des tiers se trouvant à proximité. Toute modification ou altération non autorisée par le fabricant annule toute garantie et responsabilité.

 **AVERTISSEMENT :** Risque d'explosion. Le ponçage du sol peut provoquer un mélange explosif de poussière fine et d'air. Utilisez la ponceuse à plancher uniquement dans un endroit bien aéré et exempt de toute flamme ou allumette.

Avertissements généraux concernant la sécurité des outils électriques

AVERTISSEMENT : Lire tous les avertissements et instructions de sécurité. Le non-respect des avertissements et des instructions peut entraîner un choc électrique, un incendie ou des blessures graves.

Conservé tous les avertissements et instructions pour une utilisation ultérieure.

Le terme « outil électrique » dans les avertissements fait référence à votre outil électrique principal (avec cordon) ou à votre outil électrique alimenté par batterie (sans fil).

1) Sécurité de l'espace de travail

- Garder l'espace de travail propre et bien éclairé.** Les endroits encombrés ou sombres sont propices aux accidents.
- Ne pas utiliser d'outils électriques dans des atmosphères explosives, par exemple en présence de liquides, gaz ou poussières inflammables.** Les outils électriques créent des étincelles qui peuvent enflammer le DST ou les fumées.
- Tenir les enfants et les passants à l'écart pendant l'utilisation d'un outil électrique.** Les distractions peuvent vous faire perdre le contrôle.

2) Sécurité électrique

- Les fiches des outils électriques doivent correspondre à la prise de courant. Ne jamais modifier la fiche de quelque façon que ce soit. Ne pas utiliser de prises d'adaptateur avec des outils électriques mis à la terre (masse).** Les fiches non modifiées et les prises correspondantes réduiront le risque de choc électrique.
- Éviter le contact du corps avec les surfaces mises à la terre ou à la masse telles que les tuyaux, les radiateurs, les cuisinières et les réfrigérateurs.** Il y a un risque accru de choc électrique si votre corps est mis à la terre ou à la masse.
- Ne pas exposer les outils électriques à la pluie ou à des conditions humides.** L'eau qui pénètre dans un outil électrique augmente le risque de choc électrique.
- Ne pas forcer sur le cordon. Ne jamais utiliser le cordon pour transporter, tirer ou débrancher l'outil électrique. Tenir le cordon à l'écart de la chaleur, de l'huile, des arêtes vives ou des pièces mobiles.** Des cordons endommagés ou emmêlés augmentent le risque de choc électrique.

- e) **Lorsque vous utilisez un outil électrique à l'extérieur, utiliser une rallonge électrique adaptée à un usage extérieur.** L'utilisation d'un cordon d'alimentation adapté à un usage extérieur réduit le risque de choc électrique.
- f) **Si l'utilisation d'un outil électrique dans un endroit humide est inévitable, utiliser un dispositif différentiel à courant résiduel (DDR) ou un disjoncteur de fuite à la terre (DDFT) protégé.** L'utilisation d'un DDR ou d'un DDFT réduit le risque de choc électrique.

3) Sécurité personnelle

- a) **Rester vigilant, surveiller ce que vous faites et faire preuve de bon sens lorsque vous utilisez un outil électrique. Ne pas utiliser d'outil électrique lorsque vous êtes fatigué ou sous l'influence de drogues, d'alcools ou de médicaments.** Un moment d'inattention pendant l'utilisation d'outils électriques peut entraîner des blessures graves.
- b) **Utiliser un équipement de protection individuelle. Porter toujours une protection pour les yeux.** Les équipements de protection comme un masque anti-poussière, des chaussures de sécurité antidérapantes, un casque de protection ou une protection auditive utilisés dans des conditions appropriées réduiront le risque de blessures corporelles.
- c) **Empêcher tout démarrage involontaire. S'assurer que l'interrupteur est en position arrêt avant de brancher la source d'alimentation et/ou le bloc-piles, de ramasser ou de transporter l'outil.** Le port d'outils électriques avec le doigt sur l'interrupteur ou l'utilisation d'outils électriques sous tension avec l'interrupteur en position marche peut provoquer des accidents.
- d) **Retirer toute clé ou clé de réglage avant de mettre l'outil sous tension.** Une clé ou une clé à molette laissée attachée à une pièce rotative de l'outil électrique peut entraîner des blessures corporelles.
- e) **Ne pas trop se pencher. Garder toujours une position stable et un bon équilibre.** Ceci permet un meilleur contrôle de l'outil électrique dans des situations inattendues.
- f) **S'habiller convenablement. Ne pas porter de vêtements amples ou de bijoux. Tenir vos cheveux, vos vêtements et vos gants à l'écart des pièces mobiles.** Les vêtements amples, les bijoux ou les cheveux longs peuvent être happés par les pièces mobiles.
- g) **Si des dispositifs sont prévus pour le raccordement des installations d'extraction et de collecte des poussières, s'assurer qu'ils sont raccordés et utilisés correctement.** L'utilisation d'un dépoussiéreur peut réduire les risques liés à la poussière. Il est recommandé de toujours alimenter l'outil par l'intermédiaire d'un dispositif différentiel à courant résiduel avec un courant résiduel nominal de 30 mA ou moins.

4) Utilisation et entretien des outils électriques

- a) **Ne pas forcer sur l'outil électrique. Utiliser l'outil électrique adapté à votre application.** Le bon outil électrique fera mieux le travail et sera plus sûr pour la vitesse pour laquelle il a été conçu.
- b) **Ne pas utiliser l'outil électrique si l'interrupteur ne l'allume pas et ne l'éteint pas.** Tout outil électrique qui ne peut pas être commandé par l'interrupteur est dangereux et doit être réparé.
- c) **Débrancher la fiche de la source d'alimentation et/ou la batterie de l'outil électrique avant d'effectuer des réglages, de changer des accessoires ou de ranger des outils électriques.** De telles mesures de sécurité préventives réduisent le risque de démarrage accidentel de l'outil électrique.
- d) **Ranger les outils électriques inutilisés hors de portée des enfants et ne pas laisser des personnes non familiarisées avec l'outil électrique ou ces instructions les utiliser.** Les outils électriques sont dangereux entre les mains d'utilisateurs non formés.
- e) **Entretien des outils électriques. Vérifier si les pièces mobiles sont mal alignées ou bloquées, si les pièces sont cassées et toute autre condition pouvant affecter le fonctionnement de l'outil électrique. En cas de dommages, faire réparer l'outil électrique avant de l'utiliser.** De nombreux accidents sont causés par des outils électriques mal entretenus.
- f) **Garder les outils de coupe aiguisés et propres.** Les outils de coupe bien entretenus avec des arêtes tranchantes sont moins susceptibles de se coincer et sont plus faciles à contrôler.
- g) Utiliser l'outil électrique et les accessoires conformément à ces instructions, en tenant compte des conditions de travail et des travaux à effectuer. L'utilisation de l'outil électrique pour des opérations différentes de celles prévues pourrait entraîner une situation dangereuse.
- h) L'utilisation d'un outil qui n'est pas complètement assemblé pourrait entraîner des blessures ou des dommages matériels. Ne pas utiliser cet outil tant qu'il n'est pas entièrement assemblé. Garder toutes les attaches bien serrées. Conserver les réglages selon les spécifications de l'outil.

5) Réparation

- a) **Faire réparer l'outil électrique par un réparateur qualifié en n'utilisant que des pièces de rechange identiques.** Ceci assurera le maintien de la sécurité de l'outil électrique. Si le cordon d'alimentation est endommagé, il doit être remplacé par le fabricant, son agent de service ou des personnes qualifiées afin d'éviter un danger.

Avertissements de sécurité pour les opérations de ponçage

1. Cet outil électrique est conçu pour fonctionner comme une ponceuse. Lire tous les avertissements, instructions et spécifications relatifs à la sécurité de cet outil électrique. Le non-respect de toutes les instructions ci-dessous peut entraîner un choc électrique, un incendie ou des blessures.
2. Il n'est pas recommandé d'effectuer des opérations telles que le meulage, le brossage de fils, le polissage ou le tronçonnage avec cet outil électrique. Les opérations pour lesquelles l'outil n'a pas été conçu peuvent représenter un danger et provoquer des blessures.
3. Ne pas utiliser d'accessoires qui ne sont pas spécialement conçus et recommandés par le fabricant de l'outil. Ce n'est pas parce que l'accessoire peut être fixé à votre outil électrique qu'il garantit un fonctionnement sûr.
4. La vitesse nominale de l'accessoire doit être au moins égale à la vitesse maximale indiquée sur l'outil électrique. Les accessoires qui tournent plus vite que leur vitesse nominale peuvent se briser et voler en éclats.
5. Le diamètre extérieur et l'épaisseur de votre accessoire doivent correspondre à la capacité nominale de votre outil électrique. Des accessoires de taille incorrecte ne peuvent pas être convenablement protégés ou contrôlés.
6. La taille de l'arbre des roues, des brides, des patins de support ou de tout autre accessoire doit être adaptée à la broche de l'outil électrique. Les accessoires avec des trous d'arbre qui ne correspondent pas au matériel de montage de l'outil électrique se déséquilibreront, vibreront excessivement et peuvent entraîner une perte de contrôle.

7. Ne pas utiliser un accessoire endommagé. Avant chaque utilisation, inspecter l'accessoire comme la meule abrasive à la recherche de copeaux ou de fissures, le plateau de support à la recherche de fissures, de déchirures ou d'usure excessive, la brosse métallique à la recherche de fils desserrés ou fissurés. En cas de chute d'un outil électrique ou d'un accessoire, vérifier s'il n'est pas endommagé ou installer un accessoire non endommagé. Après avoir inspecté ou installé un accessoire, vous devez vous tenir ou tenir les passants à l'écart du plan de l'accessoire rotatif et faire tourner l'outil électrique à la vitesse maximale à vide pendant une minute. Les accessoires endommagés se désagrègent normalement pendant ce temps.
8. Porter un équipement de protection individuelle. Selon l'application, utiliser un écran facial, un masque ou des lunettes de protection. Le cas échéant, porter un masque anti-poussière, des protecteurs auditifs, des gants et un tablier d'atelier capables d'arrêter les débris volants générés par diverses opérations. La protection oculaire doit être capable d'arrêter les débris volants générés par diverses opérations. Le masque anti-poussière ou le respirateur doit être capable de filtrer les particules générées par vos opérations. L'exposition prolongée à des bruits de haute intensité peut provoquer une perte de l'audition.
9. Tenir les passants à une distance de sécurité de la zone de travail. Toute personne pénétrant dans la zone de travail doit porter un équipement de protection individuelle. Des fragments de pièce ou un accessoire cassé peuvent s'envoler et provoquer des blessures au-delà de la zone immédiate d'utilisation.
10. Tenir l'outil électrique en saisissant uniquement les surfaces isolées (poignée) lors d'une opération où l'accessoire de coupe peut entrer en contact avec des fils cachés ou son propre cordon. En cas de contact avec un fil sous tension, les parties métalliques exposées de l'outil de coupe seraient électrisées, exposant l'opérateur à un risque de choc électrique.
11. Placer le cordon à l'écart de l'accessoire en rotation. Si vous perdez le contrôle, le cordon peut être coupé ou accroché et votre bras ou votre main peut être tiré(e) dans l'accessoire en rotation.
12. Ne jamais poser l'outil électrique tant que l'accessoire n'est pas à l'arrêt complet. L'accessoire en rotation peut saisir la surface et tirer l'outil électrique hors de votre contrôle.
13. Ne pas faire fonctionner l'outil électrique lorsque vous le portez à vos côtés. Un contact accidentel avec l'accessoire en rotation pourrait accrocher vos vêtements et entraîner l'accessoire dans votre corps.
14. Nettoyer régulièrement les événements d'aération des outils électriques. Le ventilateur du moteur aspire la poussière à l'intérieur du boîtier et une accumulation excessive peut entraîner des risques électriques.
15. Ne pas utiliser l'outil électrique à proximité de matériaux inflammables. Des étincelles pourraient enflammer ces matériaux.
16. Ne pas utiliser de papier abrasif surdimensionné. Suivre les recommandations du fabricant lors du choix du papier abrasif. Un papier abrasif de plus grande dimension qui s'étend au-delà du patin de ponçage présente un risque de lacération et peut provoquer l'accrochage, le déchirement du disque ou un rebond.
17. Risque d'explosion. Le ponçage du sol peut provoquer un mélange explosif de poussière fine et d'air. Utilisez la ponceuse à plancher uniquement dans un endroit bien aéré et exempt de toute flamme ou allumette.

Avertissements en cas de rebond et avertissements connexes

Le rebond est une réaction soudaine à une roue en rotation, un patin de support, une brosse ou tout autre accessoire pincé ou accroché. Le pincement ou l'accrochage provoque le blocage rapide de la plaque tournante, ce qui à son tour pousse l'outil électrique incontrôlé dans le sens opposé à la rotation de la plaque au niveau du point de fixation.

Par exemple, si une meule abrasive est coincée ou pincée par la pièce à usiner, le bord de la meule qui entre dans le point de pincement peut s'enfoncer dans la surface du matériau, ce qui fait grimper ou se détacher la meule. La roue peut sauter vers l'opérateur ou s'éloigner de lui, selon la direction du mouvement de la roue au point de pincement. Les meules abrasives peuvent également se briser dans ces conditions.

Le rebond est le résultat d'une mauvaise utilisation de l'outil électrique et de procédures ou conditions d'utilisation incorrectes et peut être évité en prenant les précautions appropriées indiquées ci-dessous.

1. Maintenir une prise ferme sur l'outil électrique et positionner son corps et ses bras de manière à résister aux forces de rebond. Toujours utiliser des poignées auxiliaires, si elles sont prévues pour un contrôle maximal des réactions de rebond ou de couple au démarrage. L'opérateur peut contrôler les réactions de couple ou les forces de rebond si les précautions appropriées sont prises.
2. Ne jamais placer sa main près de l'accessoire rotatif. L'accessoire peut faire un rebond sur votre main.
3. Ne pas placer son corps dans la zone où l'outil électrique se déplacera en cas de rebond. Le rebond propulse l'outil dans la direction opposée au mouvement de la roue à l'endroit de l'accrochage.
4. Être particulièrement prudent lorsque vous travaillez dans les coins, les arêtes vives, etc. Éviter de faire sauter et d'accrocher l'accessoire. Les coins, les arêtes vives ou les sauts ont tendance à accrocher l'accessoire rotatif et à provoquer une perte de contrôle ou un rebond.

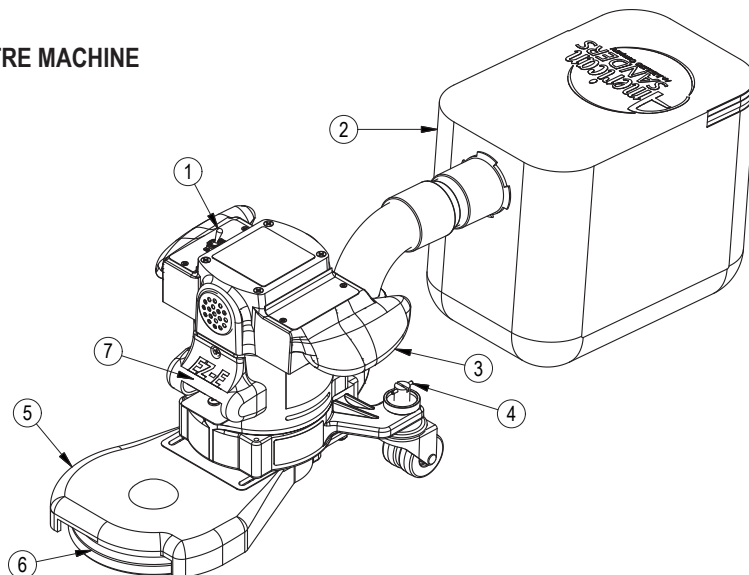
Règles supplémentaires pour un fonctionnement en toute sécurité

1. Vider fréquemment le sac à poussière ou le bac du dépoussiéreur. Ne pas laisser de résidus dans le sac à poussière ou dans le bac du dépoussiéreur sans surveillance. Toujours vider dans un conteneur en métal non combustible. Le ponçage du bois ou du vernis produit de la poussière qui peut s'enflammer et causer des blessures ou des dommages. Suivre cette précaution pour le stockage.
2. Placer tous les clous exposés. Éloigner l'abrasif de la zone de travail. Ne pas frapper les tuyaux métalliques, etc., avec du papier abrasif. Le contact de particules métalliques ou abrasives avec du papier abrasif produit des étincelles qui peuvent enflammer la poussière de ponçage et provoquer des blessures ou des dommages.
3. Ne pas utiliser un outil électrique partiellement assemblé. Veiller à ce que tous les réglages soient conformes aux spécifications du fabricant. Garder toutes les attaches bien serrées. L'utilisation d'un outil électrique partiellement assemblé peut provoquer des blessures des opérateurs ou passants et peut endommager l'équipement ou l'environnement.
4. Ne pas essayer de changer le papier abrasif lorsque l'outil est en marche. Le tampon abrasif peut accrocher les vêtements et provoquer des blessures des membres et le papier abrasif en mouvement peut provoquer des abrasions.
5. L'outil électrique ne doit être utilisé que sur un réseau électrique (secteur) adapté aux besoins électriques de l'outil électrique, comme indiqué sur la plaque signalétique. Utiliser uniquement sur un système de mise à la terre (masse). Ne pas entretenir l'outil électrique s'il est sous tension ou connecté à un circuit électrique. Une utilisation incorrecte peut provoquer un incendie ou un choc électrique.

Introduction

FAMILIARISEZ-VOUS AVEC VOTRE MACHINE

- 1 Interrupteur de commande
- 2 Sac à poussière
- 3 Poignées de commande
- 4 Roulettes réglables
- 5 Tête amovible
- 6 Protection murale
- 7 Lampe de travail



Modèle	07222A	07223A	07224A	07225A	07231A	07232A
Puissance électrique nominale	115 V, 12,0 A, 60 Hz	115 V, 12,0 A, 60 Hz	115 V, 12,0 A, 60 Hz	115 V, 12,0 A, 60 Hz	230 V, 6,0 A, 50 Hz	230 V, 6,0 A, 50 Hz
Étui de rangement	Standard	Standard	Standard	Standard	Standard	Standard
Moteur	1 Ch	1 Ch	1 Ch	1 Ch	1 Ch	1 Ch
Taille de l'abrasif	Disque de 18cm x 2,2cm de diamètre	Disque de 12,7cm de diamètre	Disque de 18cm x 2,2cm de diamètre	Disque de 12,7cm de diamètre	Disque de 18cm x 2,2cm de diamètre	Disque de 12,7cm de diamètre
Vitesse du disque	2 800 tr/min	3 200 tr/min	2 800 tr/min	3 200 tr/min	2 800 tr/min	3 200 tr/min
Système d'entraînement de disque	Entraînement par courroie	Entraînement par courroie	Entraînement par courroie	Entraînement par courroie	Entraînement par courroie	Entraînement par courroie
Câble d'alimentation	12-3 Caoutchouc gris	12-3 Caoutchouc gris	12-3 Caoutchouc gris	12-3 Caoutchouc gris	H05V/F3G 1.5mm sq x 15.4m	H05V/F3G 1.5mm sq x 15.4m
Collecte de poussière	Standard	Standard	Standard	Standard	Standard	Standard
Vitesse de dépeussierage	110 PCM	110 PCM	110 PCM	110 PCM	110 PCM	110 PCM

Consignes pour le branchement électrique (120V)

Rallonges (120 V)

Utilisez uniquement une rallonge approuvée avec trois fils, une fiche avec trois bornes et un corps de connecteur avec trois trous.

AVERTISSEMENT : Si vous utilisez une rallonge électrique, utilisez une rallonge électrique de calibre 12 AWG minimum. N'utilisez pas une rallonge plus longue que 50 pieds. Ne reliez pas deux rallonges.

Rallonges (230 V)

Utilisez uniquement une rallonge avec deux conducteurs principaux et un conducteur de terre.

AVERTISSEMENT : Si vous utilisez une rallonge électrique, utilisez une rallonge électrique de calibre 1,50 mm². N'utilisez pas une rallonge plus longue que 15 mètres. Ne reliez pas deux rallonges.

AVERTISSEMENT : Ne coupez, retirez ou cassez pas la broche de mise à la terre. Ne tentez pas d'insérer une fiche à trois bornes dans un réceptacle ou connecteur non adapté. Si la fiche ne s'insère pas dans le réceptacle ou le corps du connecteur, contactez votre interlocuteur autorisé pour réaliser le raccordement.

Consignes pour le branchement électrique (120V)

Consignes pour le raccordement à l'alimentation électrique et à la mise à la terre.

Ce produit doit être mis à la terre. En cas de dysfonctionnement ou de panne, la terre fournit au courant électrique un chemin de moindre résistance et réduit le risque de commotion électrique. Ce produit est équipé d'un cordon comportant un conducteur de masse et une fiche avec mise à la terre. La fiche doit être branchée dans une prise appropriée qui est correctement installée et mise à la terre conformément à tous les codes et règlements locaux.

AVERTISSEMENT : Un branchement incorrect du conducteur de mise à la terre de l'équipement peut entraîner un risque de commotion électrique. Consultez un électricien ou un technicien qualifié si vous avez des doutes concernant la mise à la terre de la prise. Ne modifiez pas la fiche fournie avec le produit – si elle n'entre pas dans la prise, faites installer une prise adéquate par un électricien qualifié.

Ce produit doit être utilisé sur un circuit de 120 volts de tension nominale et comporte une fiche avec mise à la terre qui ressemble à la fiche représentée sur la Fig. 12. Assurez-vous que le produit est branché à une prise ayant la même configuration que la fiche. Il ne faut pas utiliser d'adaptateur avec ce produit. Connectez toujours la machine à une ligne électrique dédiée de 20 ampères pour éviter le déclenchement intempestif du disjoncteur et la surcharge de la ligne due à d'autres appareils.

AVERTISSEMENT : Pour prévenir le risque d'électrocution, protégez la machine de la pluie. Gardez la machine dans un bâtiment sec.

AVERTISSEMENT : Pour prévenir le risque d'électrocution, utilisez toujours un système électrique à 3 fils relié à la terre électrique. Pour une protection maximale contre les chocs électriques, utilisez un circuit protégé par un disjoncteur de défaut à la terre. Consultez votre sous-traitant électrique.

AVERTISSEMENT : Ne coupez, retirez ou cassez pas la broche de mise à la terre. Si la prise ne correspond pas à la fiche, consultez votre entrepreneur électrique.

AVERTISSEMENT : Faites remplacer les cordons usés, coupés ou endommagés par un personnel d'entretien agréé.

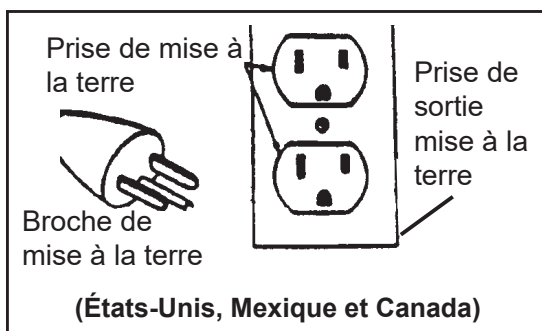
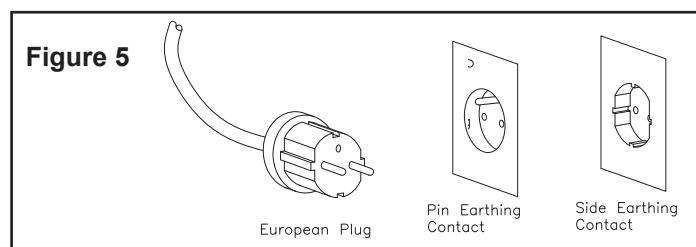


Figure 12

Consignes pour le branchement électrique (230V)

ATTENTION : Cette machine fonctionne uniquement avec la fréquence et la tension CA spécifiées sur la plaque. Assurez-vous que vous utilisez la bonne fréquence et tension avant de brancher le cordon d'alimentation dans une prise.

Cette machine doit être mise à la terre pour protéger l'opérateur du danger d'électrocution. La machine est munie d'un cordon d'alimentation avec deux principaux conducteurs et un conducteur de terre. Branchez la fiche dans un réceptacle du type indiqué dans la figure 5. Le conducteur vert et jaune est le conducteur de terre. Ne jamais brancher ce conducteur à une borne autre que celle de mise à la terre.



AVERTISSEMENT : Utilisez toujours cette machine avec un système électrique à 3 conducteurs raccordé à la masse. Remplacez tout cordon usagé, coupé ou endommagé. Remplacez les fiches, réceptacles ou corps de connecteurs endommagés. Ne déplacez pas la machine au-dessus d'un cordon électrique. Soulevez toujours le cordon au-dessus de la machine.

Configuration de la machine

Cette ponceuse est conçue pour être utilisée avec un système de dépoussiérage à distance ou avec le sac à poussière fourni.

Préparation des systèmes de dépoussiérage par aspiration à distance

Pour préparer la machine aux systèmes de dépoussiérage par aspiration à distance avec une extrémité de tuyau de 2", suivez cette procédure :

1. Installez l'extrémité du tuyau de 2" (figure 1, A) directement sur le tuyau d'échappement (figure 1, B).
2. Le tuyau d'échappement peut être tourné pour un confort optimal.

Pour préparer la machine aux systèmes de dépoussiérage par aspiration à distance avec une extrémité de tuyau de 1 1/2", suivez cette procédure :

1. Installez l'adaptateur d'extrémité de tuyau 2" x 1 1/2" (référence 30563A) (figure 1, C) sur le tuyau d'échappement (figure 1, B).
2. Insérez l'extrémité du tuyau 1 1/2" (figure 1, D) dans l'adaptateur (figure 1, C).

REMARQUE : Démarrez le système de collecte sous vide à distance avant de l'utiliser.

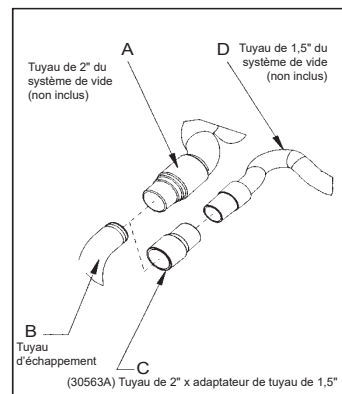


Figure 1

Préparation à l'utilisation du sac à poussière fourni

Pour préparer la machine à l'utilisation avec le sac à poussière fourni (référence 53544B), suivez cette procédure :

1. Installez le sac à poussière en appuyant sur l'extrémité du tuyau d'échappement jusqu'à ce que l'anneau s'enclenche dans la rainure (figure 2). Pour ce faire, il est préférable d'appuyer sur le dos de l'ouverture du sac avec la paume de la main.
2. Le tuyau d'échappement peut être tourné pour un confort optimal.
3. Pour retirer le sac à poussière du tuyau d'échappement, soulevez l'extrémité de l'ouverture du sac pour libérer partiellement la nervure interne de la rainure, puis tirez.
4. Pour vider le sac à poussière, ouvrez la trappe d'évacuation et forcez le contenu à l'extérieur en inversant le sac.

REMARQUE : Pour de meilleurs résultats, videz fréquemment. Respectez tous les avertissements indiqués dans ce manuel et sur le sac à poussière.

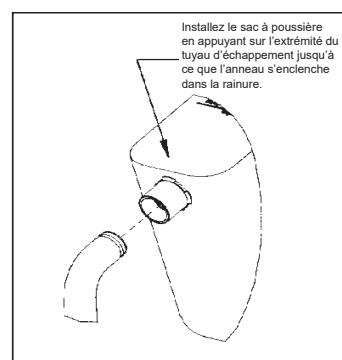


Figure 2

Préparation de la machine à l'utilisation

1. Familiarisez-vous avec la machine. Lisez toutes les consignes de danger, d'avertissement et de mise en garde ainsi que le manuel d'utilisation avant d'utiliser cette machine.
2. La machine accepte un crochet et une boucle ou un disque abrasif à trou central. L'outil est équipé d'une vis de retenue et d'une rondelle pour l'utilisation avec l'abrasif à trou central. Lors de l'installation du disque abrasif, veillez à centrer le disque sur le système d'entraînement. (Figure 3)

REMARQUE : Pour éviter d'abîmer la surface du crochet sur le système d'entraînement lors du ponçage de peinture épaisse, de vernis ou de cire, il est recommandé d'empiler deux disques sur le système d'entraînement en utilisant un abrasif à couche ouverte.

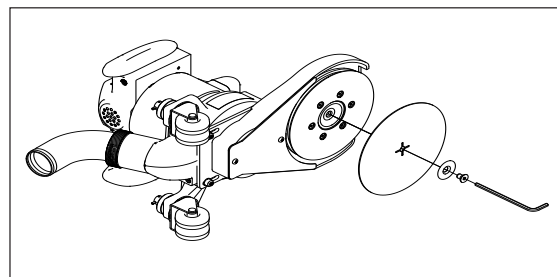


Figure 3

Conversion de tête

Retrait de la tête de ponçage

1. Assurez-vous que l'interrupteur de commande est en position « OFF » et débranchez le connecteur « queue de cochon » du moteur du câble d'alimentation. (Figure 6)
2. Avec un tournevis cruciforme, retirez les deux vis « A » fixant le garde-courroie. Retirez le garde-courroie. (Figure 4)
3. Avec une douille de 7/16", retirez les quatre écrous « B » fixant la fixation de la tête. (Figure 4)
4. Soulevez la tête de la machine en vous assurant que la courroie glisse sur la poulie du moteur.

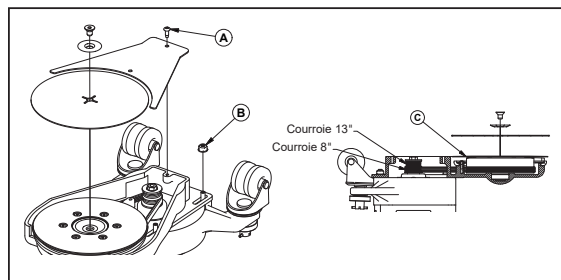


Figure 4

Installation de la tête de ponçage

1. Placez la tête sur la machine en vous assurant que la courroie est placée autour de la poulie du moteur. Positionnez la courroie dans les rainures les plus basses (les plus proches du moteur), pour la rallonge de 8". Positionnez la courroie dans les rainures les plus hautes (les plus éloignées du moteur), pour la rallonge de 13". (Figure 4)

2. Commencez par les quatre écrous « B » à la main, mais ne les serrez pas.

3. Tournez l'entraîneur de patin « C » pour s'assurer que la courroie est dans les rainures appropriées.

ATTENTION : L'usure rapide de la courroie se produira si la courroie n'est pas correctement alignée.

4. Tendez la courroie et serrez les écrous « B » avec une douille 7/16".

REMARQUE : La tension doit être suffisamment élevée pour que la courroie ne glisse pas pendant l'utilisation. Une tension excessive réduira la durée de vie des roulements et des courroies.

5. Fixez le garde-courroie avec les vis « A ».

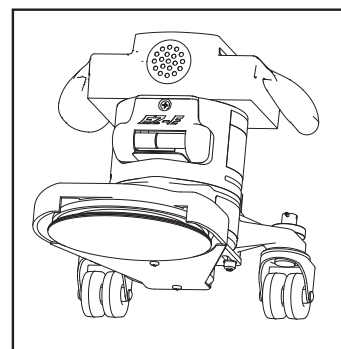


Figure 5

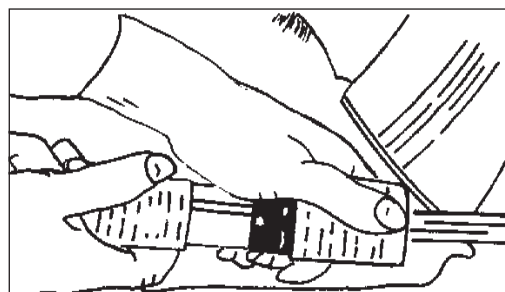


Figure 6

3. Lorsque la machine est en position inclinée, saisissez fermement les deux poignées et mettez l'interrupteur de commande en position « ON ». (Figure 5.)
4. Abaissez graduellement le tampon jusqu'à la surface destinée au ponçage. Vérifiez que la machine soit en mouvement lorsque le tampon est engagé avec la surface à poncer. Vous pouvez utiliser des mouvements circulaires larges lorsque vous ponchez le long de la surface ou vous pouvez utiliser une combinaison de mouvements vers l'avant et de mouvements latéraux. Avec le temps, vous développerez votre propre technique pour optimiser la couverture et la récupération des poussières. Il est conseillé de ne pas ajouter d'effort au tampon, car cela peut entraîner un « nez en dedans » ou un « basculement » qui produit des rainures ou des lignes sur la surface.
5. Après le remplacement de l'abrasif, la vidange du contenu du sac à poussière ou l'opération de ponçage, remettez la machine en position inclinée, mettez l'interrupteur de commande sur « OFF » puis débranchez le connecteur « queue de cochon » du moteur du câble d'alimentation.
6. Videz le sac à poussière dès qu'il est plein à 1/3.

Instructions d'utilisation

⚠ AVERTISSEMENT : Des blessures peuvent se produire si la machine est mise sous tension lorsque l'interrupteur d'alimentation est déjà en position « ON ». Vérifiez toujours que l'interrupteur d'alimentation soit en position « OFF » avant de mettre le câble d'alimentation sous tension.

1. Déplacez la machine sur le lieu de travail. Placez les clous exposés à l'aide d'un marteau et d'un poinçon pour éviter tout contact avec l'abrasif.
2. Assurez-vous que l'interrupteur de commande est en position « OFF », puis connectez le câble d'alimentation à un circuit à fusible mis à la terre de manière appropriée. Raccordez le câble d'alimentation au connecteur « queue de cochon » du moteur. (Figure 6)

⚠ DANGER : Ne pas débrancher le câble d'alimentation de la machine lors de l'entretien, du remplacement de l'abrasif ou de la vidange du sac à poussière peut provoquer des électrocutions ou des blessures graves. Ne laissez jamais la machine sans surveillance lorsque le câble d'alimentation est branché.

⚠ DANGER : Ne laissez jamais un sac à poussière sans surveillance avec de la poussière de ponçage à l'intérieur. La poussière de ponçage peut s'enflammer spontanément et provoquer un incendie ou une explosion. Videz le sac à poussière dans un conteneur en métal, exempt de tout combustible. Ne videz pas le contenu dans un feu. Ne remplissez pas trop le sac à poussière.

Réglages

Mise à niveau

Cette machine peut être mise à niveau sans outils. Saisissez la vis de réglage « A » et desserrez l'écrou de blocage « B ». (Figure 7).

Condition — Le patin crée des crêtes sur les deux bords ou un « saut » est ressenti : Tournez les deux vis de réglage dans le sens des aiguilles d'une montre. Serrez les écrous de blocage et testez sur un morceau de contreplaqué. Répétez l'opération jusqu'à ce que l'état soit corrigé. Nous vous recommandons de ne pas dépasser 1/8" de rotation pour chaque essai.

Condition — Le patin crée une crête sur le bout du patin : Tournez les deux vis de réglage dans le sens inverse des aiguilles d'une montre, serrez les écrous de blocage et testez. Répétez l'opération jusqu'à ce que l'état soit corrigé. N'utilisez qu'une rotation de 1/8 pour chaque tentative.

Condition — Le patin crée une crête sur un seul côté du patin : Tournez la vis de réglage du côté effectué dans le sens des aiguilles d'une montre ou tournez la vis de réglage opposée dans le sens inverse des aiguilles d'une montre, selon que la crête se termine au-delà de l'extrémité du patin ou avant celle-ci. Si elle est avant la pointe, réglez le côté affecté, sinon, réglez le côté opposé.

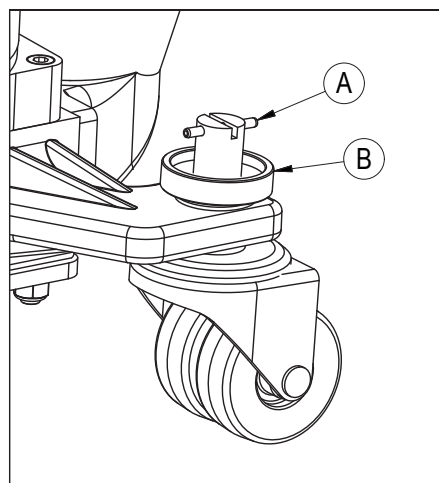


Figure 7

REMARQUE : En cas de changement de tête sur la machine, il faut la remettre à niveau.

Entretien périodique



ATTENTION : La non-exécution de l'entretien aux intervalles recommandés peut annuler la garantie.

Balais de charbon

Faites remplacer les balais de charbon au moins toutes les 500 heures et plus fréquemment en cas d'utilisation intensive.

Sac à poussière

De temps en temps, le sac à poussière doit être retourné à l'envers, agité vigoureusement et lavé en machine à l'eau froide pour prévenir l'obstruction des pores et la perte de contrôle de la poussière.

Roulements

Pour garantir une performance fiable, faites inspecter les roulements de l'induit et du patin d'entraînement toutes les 1 500 heures pour vous assurer qu'ils ne s'usent pas ou ne sont pas endommagés. En cas d'utilisation intensive, faites remplacer les roulements de façon saisonnière.

Courroie

La courroie doit être inspectée toutes les 500 heures. Remplacez-la s'il y a des fissures ou des signes d'usure.



ATTENTION : L'entretien et les réparations effectués par du personnel non autorisé peuvent entraîner des dommages ou des blessures. L'entretien et les réparations effectués par du personnel non autorisé annuleront votre garantie. La non-exécution de l'entretien aux intervalles recommandés peut annuler la garantie.

Balais de charbon

Inspectez les quatre balais tous les 6 mois ou toutes les 250 heures. L'accès aux balais se fait par les bouchons d'évent avant et arrière du moteur et sous les deux capots du moteur (figure 8). Appuyez sur la languette (A) de l'assemblage à ressort, faites-la pivoter, puis retirez-la (figure 9). Si un balai est usé à une longueur de 3/8" ou moins, remplacez l'ensemble au complet.



ATTENTION : Utilisez uniquement le balai moteur PN 40818A ou PN 40055A avec fil de dérivation, au risque de créer une défaillance du moteur.

Lors du remplacement des balais, assurez-vous que le balai s'appuie contre le collecteur, que le ressort repose dans l'évidement du balai et que le balai peut se déplacer librement. Lorsque vous retournez le couvercle de l'interrupteur, gardez tous les fils à l'écart du collecteur et de tout point de pincement.

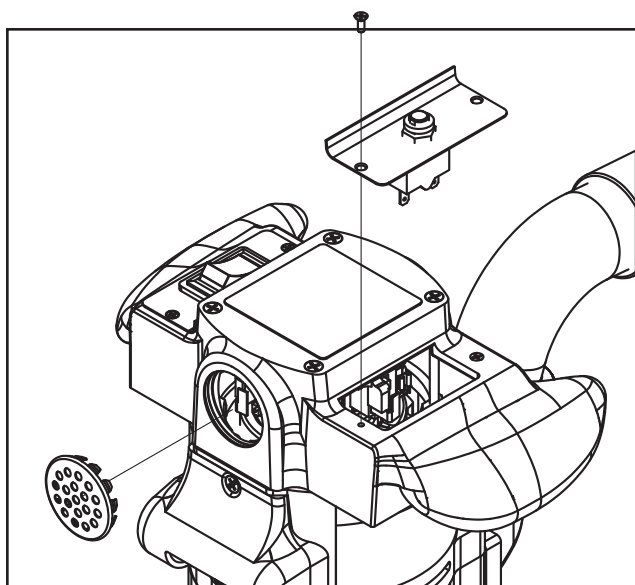


Figure 8

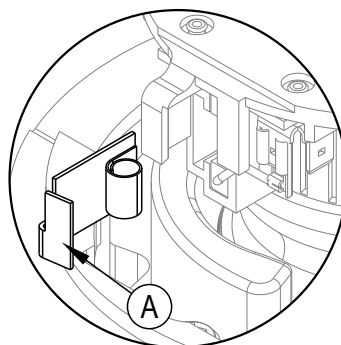


Figure 9

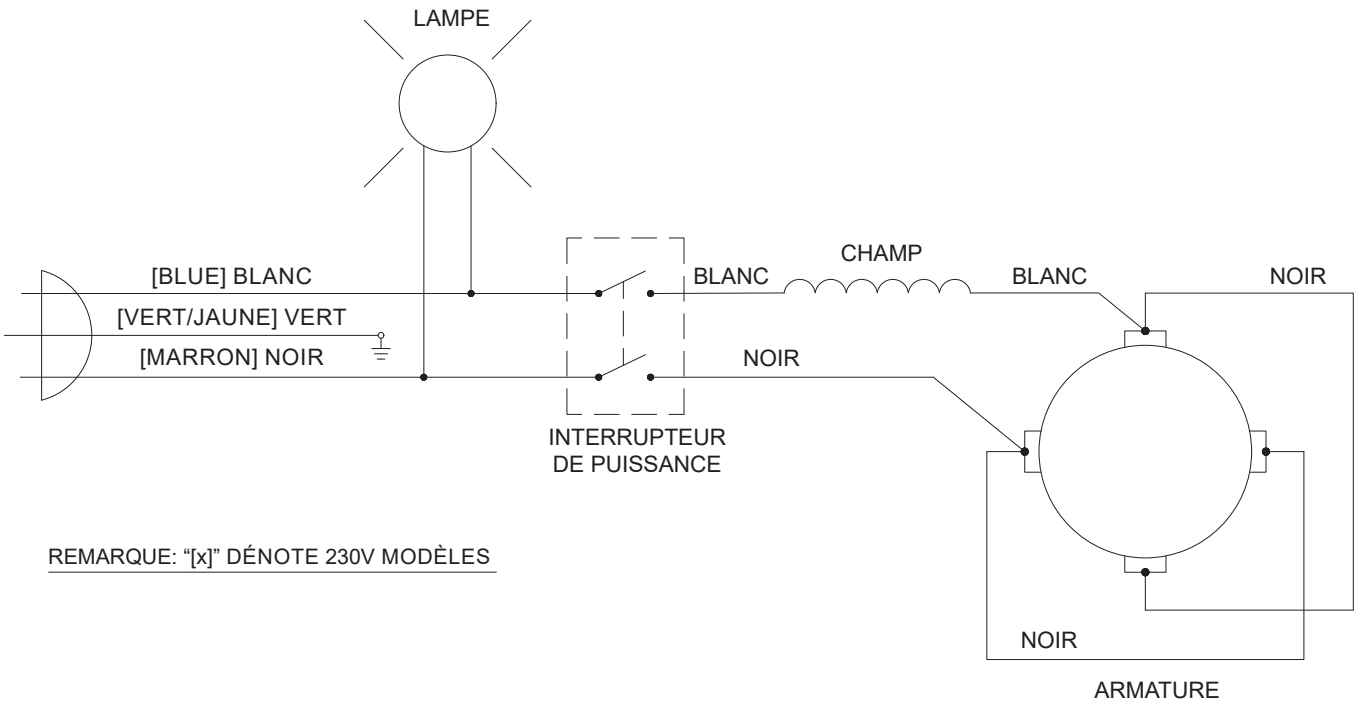
EZ-E

Manuel d'utilisation

Notes :

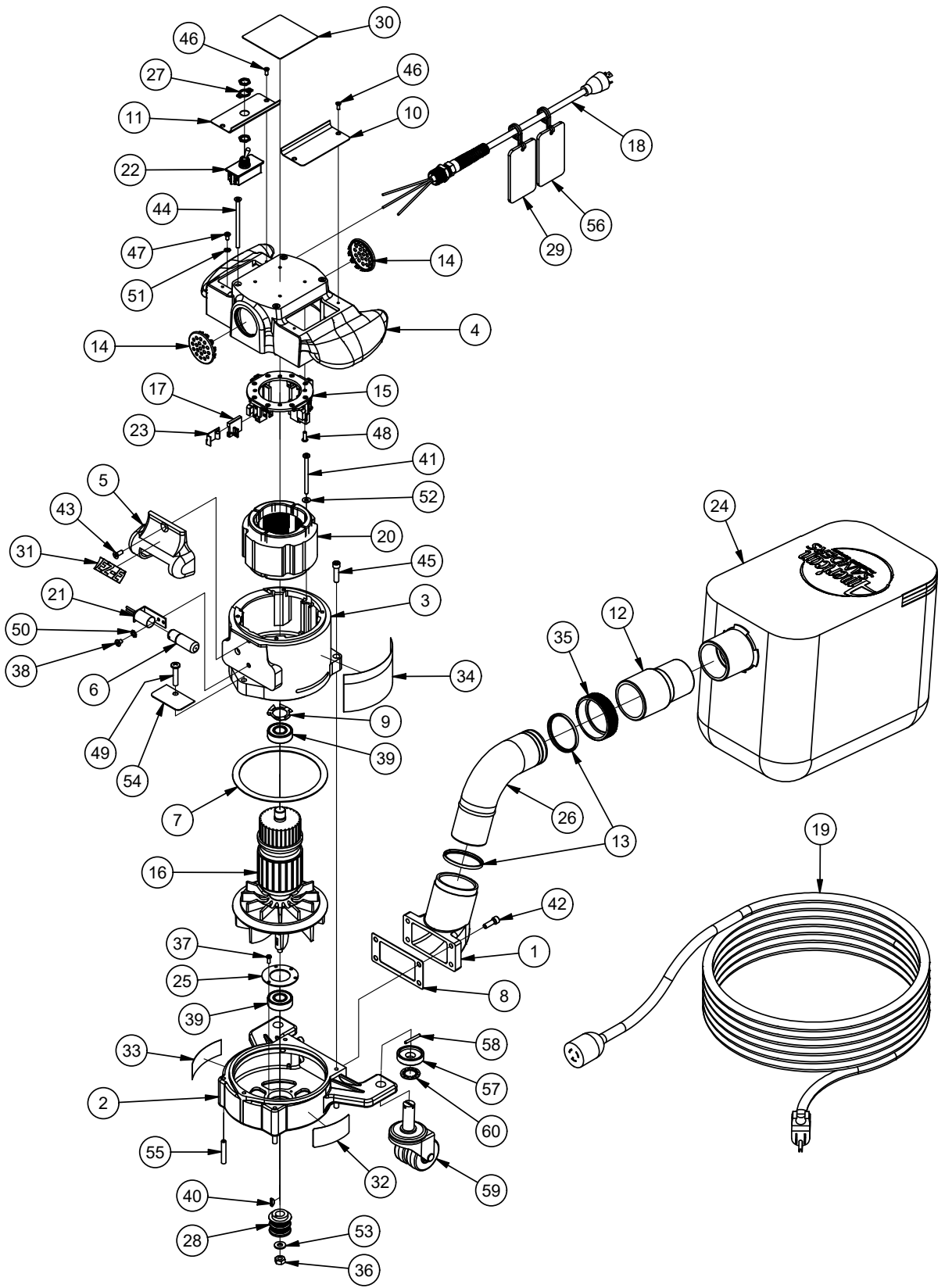


Schéma de câblage



REMARQUE: "[x]" DÉNOTE 230V MODÈLES

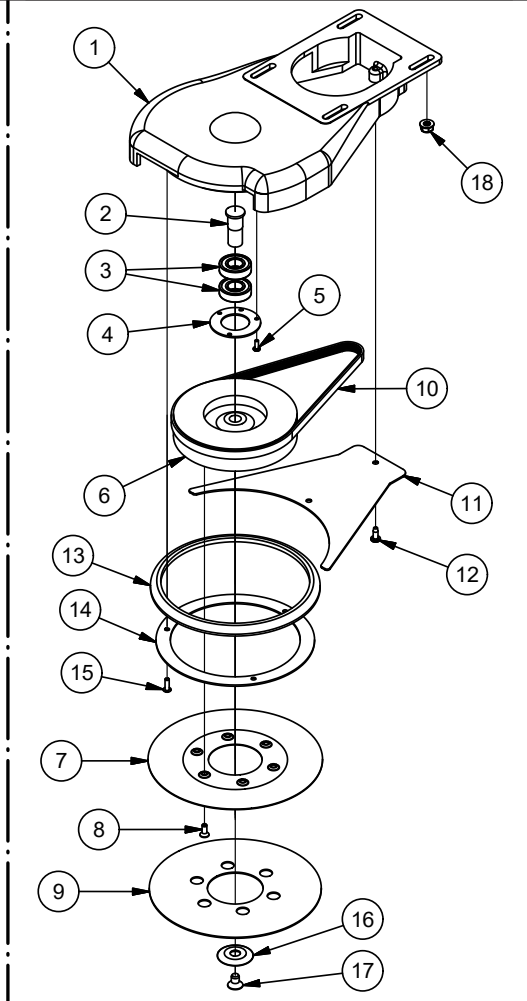
ENSEMBLE SUPÉRIEUR



ENSEMBLE SUPÉRIEUR

LISTE DES PIÈCES				LISTE DES PIÈCES			
ARTICLE	QTÉ	NUMÉRO DE PIÈCE	DESCRIPTION	ARTICLE	QTÉ	NUMÉRO DE PIÈCE	DESCRIPTION
1	1	AS018901	ÉCHAPPEMENT, ADAPTATEUR, NOIR	29	1	70175A	TAG AVERTISSEMENT ENG-SPN
2	1	AS030900	BOÎTIER, VENTILATEUR, EZ-E	30	1	AS014300	PLAQUE SIGNALÉTIQUE, AMERICAN SANDERS, 3"
3	1	AS017601	BOÎTIER, MOTEUR, NOIR	31	1	AS030600	AUTOCOLLANT, EZ-E, 0,72 X 1,97
4	1	AS017701	COUVERCLE, MOTEUR, NOIR	32	1	56380216	AUTOCOLLANT, ATTENTION AUX OUTILS ÉLECTRIQUES
5	1	AS031100	PROTECTEUR, LAMPE, NOIR	33	1	56380639	AUTOCOLLANT-PROP 65
6A	1	AS010200	LAMPE, 120 V, DEL, CC, BAÏONNETTE (07222A, 07223A, 07224A, 07225A)	34	1	73285A	ÉTIQUETTE, AVERTISSEMENT
6B	1	AS037500	LAMPE, 230 V, DEL, CC, BAÏONNETTE (07231A, 07232A)	35	1	80276A	ÉCROU, JOINT COULISSANT, 2 X 2
7	1	293403	JOINT D'ÉTANCHÉITÉ, VENTILATEUR D'EXTRACTION, DÉFLECTEUR	36	1	81302A	ÉCROU, BLOCAGE, HEXAGONAL, 1/4-20, ZINC
8	1	293406	JOINT, ÉCHAPPEMENT, SUPPORT 95	37	5	85313C	VIS 6-32 X 3/8 PANS HD
9	1	298306	RESSORT, CHARGE, 56	38	1	85393A	VIS, 10-24 X 1/4, PN SZ PH
10	1	AS032300	COUVERCLE, BROUSSE, GAUCHE, NOIR	39	2	902567	ROULEMENT À BILLES DOUBLE ÉTANCHÉITÉ
11	1	AS032200	COUVERCLE, BROUSSE, DROITE, NOIR	40	1	915561	CLAVETTE-DISQUE 1/8 X 1/2
12	1	30563A	ADAPTATEUR DE TUYAU 2" X 1,50"	41	2	962211	VIS, 10-24 X 2,5, RD P ST
13	2	30613A	JOINT D'ÉTANCHÉITÉ, TUYAU, COUPE-BORDURES	42	4	962289	VIS, 1/4-20 X 3/4 DOUILLE HD
14	2	306802	BOUCHON, ÉVENT	43	1	962310	VIS, 10-24 X 1/2
15	1	40130A	ENSEMBLE SUPPORT BALAI	44	4	962404	VIS, 10-24 X 3-1/4, FH, ST, PH
16A	1	40321A	ARMATURE ASM, 120 V (07222A, 07223A, 07224A, 07225A)	45	1	962454	VIS, 1/4 - 20 X 1, CACHE SC ST
16B	1	40324A	ARMATURE ASM, 230 V (07231A, 07232A)	46	7	962545	VIS, 6-32 X 3/8, TETE PLATE
17	4	40818A	BALAI, CHARBON	47	1	962550	VIS, 8-32 X 5/16
18A	1	41960A	CORDON D'INTERCONNEXION (07222A, 07223A, 07224A, 07225A)	48	1	962727	VIS, 8-32 X 1/2 PN ST TP23 PH
18B	1	AS020700	CORDON, NATTE, PONCEUSE, 1.5MM (07231A, 07232A)	49	1	962988	VIS, 1/4-20 X 1-1/4, PN, ST, PH
19A	1	40540A	CORDON, 12-3 X 40FT 5-15P (07222A, 07223A, 07224A, 07225A)	50	1	980603	RONDELLE, LK 10 DENTS EXTERNES
19B	1	MP514000	CORDON, SOURCE DE COURANT, AUSTRALIA (07231A, 07232A)	51	1	980621	RONDELLE, BLOCAGE, DENTS EXTERNES
20A	1	42820A	ENSEMBLE CHAMP & BOBINE ASM 115 V (07222A, 07223A, 07224A, 07225A)	52	2	980643	RONDELLE, 7/16 DE X 0,036 THK.
20B	1	42819A	ENSEMBLE CHAMP & BOBINE ASM 240 V (07231A, 07232A)	53	1	980646	RONDELLE 1/4 SAE PLATE PLTD
21	1	46902A	ENSEMBLE DE DOUILLE	54	1	AS032400	RÉFLECTEUR, LAMPE
22	1	47394A	COMMUTATEUR DPST 16 A/125 V SUPER	55	4	NB074000	VIS, JEU, 1/4-20 X 1 1/2"
23	4	50932A	PORTE-BALAI À RESSORT	56	1	70175A-FR	TAG AVERTISSEMENT ENG-FRN
24	1	53544B	SAC, COUPE-BORDURES	57	2	AS035900	ÉCROU, BLOCAGE, M16, DE 1,5", MOLETTÉ
25	2	57396A	CIRCLIP, PALIER, DE 2"	58	2	NB074400	GOUPILLE, ROULEAU, 1/8 X 1 1/8
26	1	61564A	TUYAU, ÉCHAPPEMENT	59	2	AS036000	ROULETTE, 2", DOUBLE, TROU 1/8"
27	1	646302	COMMUTATEUR DE PLAQUE	60	2	NB074600	RONDELLE, ÉTOILE LK, DENT. INT. 5/8
28	1	AS031400	POULIE, MOTEUR, ENTRAÎNEMENT, EZ-E				

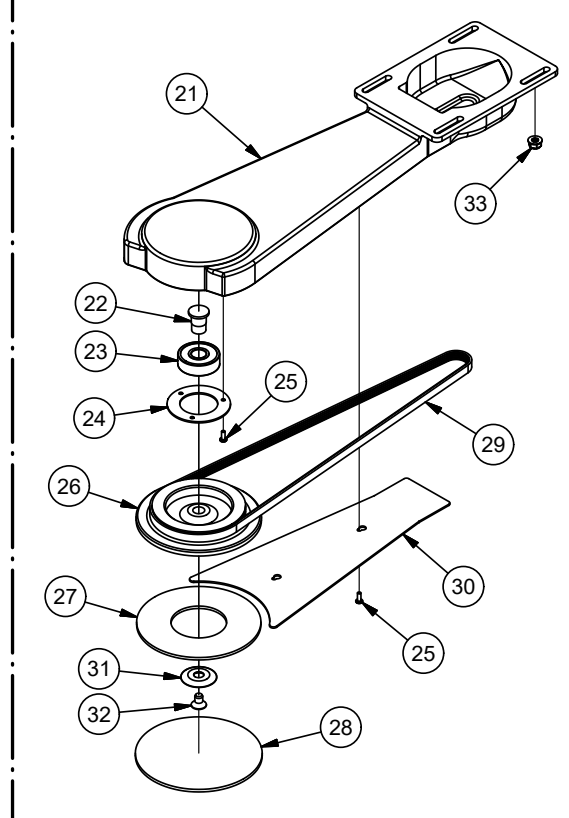
KIT D'EXTENSION EZ-E 8" : N° DE PIÈCE SA035200



LISTE DES PIÈCES D'EXTENSION 8" (PIÈCES DÉTACHÉES)

ARTICLE	QTÉ	N° DE PIÈCE	DESCRIPTION
1	1	AS030100	RALLONGE, 8", EZ-E
2	1	67469A	TIGE 7 ENTRAÎNEMENT DE PATIN SUPER 7E
3	2	56380282	ROULEMENT À BILLES 6002 CUSTOM
4	2	57396A	CIRCLIP, PALIER, DE 2"
5	3	85313C	VIS 6-32 X 3/8 PANS HD
6	1	AS031600	POULIE, PATIN 7", EXT. 8"
7	1	61851A	DISQUE DE SABLAGE
8	6	962348	VIS 10-24X 1/2 CACHE SF ST
9	1	39864A	CROCHET & BOUCLE DE PATIN
10	1	AS032600	COURROIE, 4V220
11	1	AS032000	PROTECTEUR, COURROIE, EXT. 8"
12	2	85517A	VIS #10-24 X 1/2 TYPE PHCR 23
13	1	34109A	DISQUE PROTECTEUR SUPER 7E
14	1	66973A	CIRCLIP, PROTECTEUR, DISQUE 7"
15	5	962727	VIS, 8-32 X 1/2 PN ST TP23 PH
16	1	66965A	CIRCLIP POUR ABRASIF SUPER 7E
17	1	NB055600	VIS, SFCS, 5/16-18 X 5/8",SS
18	4	AS030700	ÉCROU, BRIDE, 1/4-20, NYLOC

KIT D'EXTENSION EZ-E 13" : N° DE PIÈCE SA035300



LISTE DES PIÈCES D'EXTENSION 13" (PIÈCES DÉTACHÉES)

ARTICLE	QTÉ	N° DE PIÈCE	DESCRIPTION
21	1	AS030200	RALLONGE, 13", EZ-E
22	1	58321A	ENTRAÎNEUR DE PATIN DE TIGE SUPER 7E
23	1	51111A	ROULEMENT À BILLES
24	1	66964A	CIRCLIP, PALIER, DE 2,5"
25	5	85313C	VIS 6-32 X 3/8 PANS HD
26	1	AS031500	POULIE, PATIN 5", RALLONGE 13"
27	1	AS030500	PATIN D.E. 5" CROCHET & BOUCLE
28	1	AS003500	PATIN, MOUSSE, 5"
29	1	AS032500	COURROIE, 4V360
30	1	AS031900	PROTECTEUR, COURROIE, EXT. 13"
31	1	66965A	CIRCLIP POUR ABRASIF SUPER 7E
32	1	NB055600	VIS, SFCS, 5/16-18 X 5/8",SS
33	4	AS030700	ÉCROU, BRIDE, 1/4-20, NYLOC

Limited Warranty

EZ-E

TO QUALIFY FOR THIS WARRANTY

- (1) Machine must be registered within 30 days from the time of purchase on a form provided by American Sanders. Your American Sanders Distributor is responsible for the registration of your machine. Please cooperate with your Distributor in supplying necessary information on the card.
- (2) The machine must have been purchased from American Sanders or an authorized American Sanders Distributor.
- (3) This warranty extends to the original purchaser only and is not transferable to subsequent owners.

TIME PERIODS

ONE (1) YEAR WARRANTY - For the EZ-E.

Warranted to be free from defects in material and workmanship for a period of one (1) year from the date of purchase by the original owners. (See Exclusions)

EXCLUSIONS (Not Covered by Warranty)

- (1) Expendable wear items and parts that fail through normal wear by reason of their characteristics (cords, pads, sanding discs, carbon motor brushes, wheels, bulbs, filters, bags, or other consumable parts).
- (2) This warranty does not extend to parts affected by misuse, neglect, abuse, accidents, damage in transit, overloading the capacity of the machine, failure due to lack of proper maintenance or care as described in the operating and maintenance instructions. All defective parts must be returned to the distributor for credit.
- (3) Minor adjustments, such as tightening of screws or bolts not connected with the replacement of parts, are not covered.
- (4) Repairs or alterations by an organization other than the factory or an Authorized Service Center are not covered and will void any American Sanders warranty as to the parts or systems repaired or altered by a non-authorized organization.

THE OBLIGATION OF AMERICAN SANDERS

- (1) The obligation of American Sanders under this warranty is limited to repairing or replacing, at its option, any part which is proven to be defective in material or workmanship under normal use for the applicable period stated above.
- (2) Warranty repairs will be made by your American Sanders Distributor without charge for parts and labor. They will be compensated with a warranty labor rate of \$45.00 per hour, for the first year of ownership.
- (3) Parts repaired or replaced under this warranty are warranted only during the balance of the original warranty period. All defective parts replaced under these warranties become the property of American Sanders.

WARRANTY SERVICE

To obtain warranty service, take your machine and proof of purchase to any authorized American Sander Distributor. American Sanders will not reimburse expenses for service calls or travel. For the Distributor in your area, call American Sanders Customer Service Department at 800-367-3550 or 336-372-8080. If you are dissatisfied with the service that you receive, call or write American Sanders Customer Service Department for further assistance.

INSTRUCTIONS AND CONDITIONS FOR WARRANTY REIMBURSEMENT

- Order replacement part: Orders will be processed and charged, as normal procedure.
- Call American Sanders for R/A number.
- You will need the Machine Serial Number and the Machine Model Number.
- Parts must be returned, accompanied with the R/A number to be eligible for warranty credit.
- All Warranty Parts will be shipped prepaid UPS Ground, any other method will be at the recipients expense.
- Freight on any Warranty Part after 30 days must be paid for by the Purchaser.
- Warranty labor rate is \$45.00 USD per hour.
- Credit will be issued upon completion of the above steps, at the above rates.

Transportation of hazardous waste or contaminated equipment is subject to various laws and regulations. In returning machines, parts, or accessories under this limited warranty, the end user must certify in writing that the machines, parts, or accessories being returned have not been used for handling, clean up, or disposal of hazardous waste or hazardous materials including but not limited to such things as asbestos, anthrax etc. or if the machines, parts, or accessories being returned have been used for handling, clean up, or disposal of hazardous waste or hazardous materials, then the end user must have the machines, parts or accessories decontaminated by licensed and qualified decontamination professionals and provide written certification of this decontamination signed by the decontamination professionals. These machines, parts or accessories are to be returned only to the local American Sanders Service Center for warranty service along with decontamination certification.

DISCLAIMER OF CONSEQUENTIAL

THERE ARE NO WARRANTIES THAT EXTEND BEYOND THE DESCRIPTION OF THE LIMITED WARRANTIES STATED WITHIN. NO OTHER WARRANTY, EXPRESSED OR IMPLIED, INCLUDING BUT NOT LIMITED TO ANY IMPLIED WARRANTY OF MERCHANTABILITY OR FITNESS FOR A PARTICULAR PURPOSE, IS MADE EXCEPT AS EXPRESSLY STATED HEREIN. ANY STATUTORY IMPLIED WARRANTIES, INCLUDING ANY WARRANTY OF MERCHANTABILITY OR FITNESS FOR A PARTICULAR PURPOSE, THAT ARE IMPOSED BY LAW DESPITE THE EXPRESS LIMITATION OR WARRANTIES ABOVE, ARE EXPRESSLY LIMITED TO THE DURATION OF THE WRITTEN WARRANTY. BUYER UNDERSTANDS, ACKNOWLEDGES AND AGREES THAT THE REMEDIES PROVIDED UNDER THIS LIMITED WARRANTY ARE THE SOLE AND EXCLUSIVE REMEDIES AVAILABLE TO THE BUYER. AMERICAN SANDERS DISCLAIMS ANY RESPONSIBILITY FOR LOSS OF USER TIME OF THE AMERICAN SANDERS MACHINE OR ANY OTHER INCIDENTAL OR CONSEQUENTIAL DAMAGES. THIS INCLUDES, BUT NOT LIMITED TO INDIRECT, SPECIAL OR CONSEQUENTIAL DAMAGES ARISING OUT OF OR IN CONNECTION WITH THE FURNISHING, PERFORMANCE, USE OF OR INABILITY TO USE THE MACHINE. ANY EXTENSIONS OF OR MODIFICATIONS MADE TO THIS WARRANTY BY A DEALER/DISTRIBUTOR OF AMERICAN SANDERS ARE THE SOLE RESPONSIBILITY OF THE DEALER/DISTRIBUTOR.

American Sanders reserves the right to change its warranty policy without notice.

Copyright 2019 American Sanders

Garantía limitada

EZ-E

REQUISITOS DE LA GARANTÍA

- (1) La máquina debe registrarse durante los 30 días siguientes al momento de la compra en un formulario proporcionado por American Sanders. Su distribuidor de American Sanders es responsable del registro de su máquina. Por favor, coopere con su distribuidor indicando la información necesaria en la tarjeta.
- (2) La máquina debe haberse comprado en American Sanders o a un distribuidor autorizado de American Sanders.
- (3) Esta garantía se extiende solamente al comprador original y no es transferible a los propietarios posteriores.

PERIODOS DE TIEMPO

GARANTÍA DE UN (1) AÑO: para la EZ-E.

Se garantiza que está libre de defectos de material y mano de obra por un período de un (1) año a partir de la fecha de compra por parte de los propietarios originales. (Ver exclusiones)

EXCLUSIONES (No incluidas en la garantía)

- (1) Los artículos y piezas de desgaste desechables que fallan por el desgaste normal debido a sus características (cuerdas, almohadillas, discos de lijado, escobillas de carbón del motor, ruedas, bulbos, filtros, bolsas u otras piezas consumibles).
- (2) Esta garantía no se extiende a las piezas afectadas por un mal uso, negligencia, abuso, accidentes, daños durante el transporte, sobrecarga de la capacidad de la máquina, fallos debidos a la falta de mantenimiento o cuidado adecuados, tal y como se describe en las instrucciones de funcionamiento y mantenimiento. Todas las piezas defectuosas deben devolverse al distribuidor para obtener crédito.
- (3) Los ajustes menores, tales como el apriete de tornillos o pernos que no estén relacionados con el reemplazo de piezas, no están cubiertos.
- (4) Las reparaciones o alteraciones realizadas por una organización que no sea la fábrica o un centro de servicio autorizado no están cubiertas y anularán cualquier garantía de American Sanders que tengan las piezas o sistemas reparados o alterados por una organización no autorizada.

OBLIGACIONES DE AMERICAN SANDERS

- (1) La obligación de American Sanders en virtud de esta garantía se limita a la reparación o sustitución, a su elección, de cualquier pieza cuyo material o acabado se demuestre que está defectuoso en condiciones normales de uso durante el período aplicable indicado anteriormente.
- (2) Su distribuidor de American Sanders realizará las reparaciones en garantía sin cargo por piezas o mano de obra. Se compensarán con una tarifa de mano de obra de garantía de 45 USD por hora durante el primer año de propiedad.
- (3) Las piezas reparadas o reemplazadas de acuerdo con esta garantía solo disfrutarán de garantía durante el período que dure la garantía original. Todas las piezas defectuosas reemplazadas según estas garantías pasan a ser propiedad de American Sanders.

SERVICIO DE GARANTÍA

Para obtener servicio de garantía, lleve su máquina y el comprobante de compra a cualquier distribuidor autorizado de American Sanders. American Sanders no reembolsará los gastos por las llamadas de reparación o los viajes. Para saber cuál es el distribuidor de su área, llame al departamento de servicio al cliente de American Sanders al 800-367-3550 o 336-372-8080. Si no está satisfecho con el servicio que recibe, llame o escriba al departamento de servicio al cliente de American Sanders para obtener más ayuda.

INSTRUCCIONES Y CONDICIONES PARA EL REEMBOLSO DE LA GARANTÍA

- Pedido de una pieza de repuesto: los pedidos serán procesados y cobrados como es habitual.
- Llame a American Sanders para obtener el número R/A.
- Necesitará el número de serie de la máquina y el número de modelo de la máquina.
- Las piezas deben devolverse acompañadas del número R/A para poder optar al crédito de la garantía.
- Todas las piezas en garantía se enviarán con un servicio de UPS Ground de prepago. Cualquier otro método correrá a cargo del destinatario.
- El transporte de cualquier pieza en garantía después de 30 días correrá a cargo del comprador.
- La tarifa de mano de obra de la garantía es de 45 USD por hora.
- El crédito se emitirá a las tasas mencionadas anteriormente una vez se hayan completado los pasos anteriores.

El transporte de residuos peligrosos o equipos contaminados debe cumplir varias leyes y reglamentos. En las máquinas, partes o accesorios devueltos de acuerdo con esta garantía limitada, el usuario final debe certificar por escrito que las máquinas, partes o accesorios devueltos no han sido utilizados para el manejo, limpieza o eliminación de desechos o materiales peligrosos, incluidos pero sin limitarse al asbesto, el ántrax, etc., o si las máquinas, partes o accesorios devueltos se han utilizado para el manejo, limpieza o eliminación de desechos o materiales peligrosos. Entonces, el usuario final debe encargarse de que profesionales de desinfección cualificados y con licencia desinfecten las máquinas, partes o accesorios, y proporcionen una certificación por escrito de dicha desinfección firmada por los profesionales de desinfección. Estas máquinas, partes o accesorios deben devolverse al centro de servicio de American Sanders local solamente para el servicio de garantía junto con el certificado de desinfección.

EXENCIÓN DE RESPONSABILIDADES

NO EXISTEN GARANTÍAS QUE SE EXTIENDAN MÁS ALLÁ DE LA DESCRIPCIÓN DE LAS GARANTÍAS LIMITADAS ESTABLECIDAS EN ESTE DOCUMENTO. NO SE CONCEDERÁ NINGUNA OTRA GARANTÍA, EXPRESA O IMPLÍCITA, INCLUIDA PERO SIN LIMITARSE A CUALQUIER GARANTÍA IMPLÍCITA DE COMERCIABILIDAD O IDONEIDAD PARA UN PROPÓSITO EN PARTICULAR, EXCEPTO SI SE INDICA EXPRESAMENTE EN ESTE DOCUMENTO. CUALQUIER GARANTÍA LEGAL IMPLÍCITA, INCLUIDA CUALQUIER GARANTÍA DE COMERCIABILIDAD O IDONEIDAD PARA UN PROPÓSITO EN PARTICULAR, QUE SEA IMPUESTA POR LEY PESE A LA LIMITACIÓN O A LAS GARANTÍAS EXPRESADAS ANTERIORMENTE ESTÁ EXPRESAMENTE LIMITADA A LA DURACIÓN DE LA GARANTÍA ESCRITA. EL COMPRADOR ENTIENDE, RECONOCE Y ACEPTA QUE LOS REMEDIOS PROPORCIONADOS DE ACUERDO CON ESTA GARANTÍA LIMITADA SON LOS REMEDIOS ÚNICOS Y EXCLUSIVOS DISPONIBLES PARA EL COMPRADOR. AMERICAN SANDERS RECHAZA CUALQUIER RESPONSABILIDAD POR LA PÉRDIDA DE TIEMPO DEL USUARIO DE LA MÁQUINA DE LIJADO AMERICAN SANDERS O POR CUALQUIER OTRO DAÑO INCIDENTAL O CONSECUENTE. ESTO INCLUYE, PERO NO SE LIMITA A DAÑOS INDIRECTOS, ESPECIALES O CONSECUENTES QUE SURJAN O ESTÉN EN CONEXIÓN CON EL SUMINISTRO, EL RENDIMIENTO, EL USO O LA INCAPACIDAD DE UTILIZAR LA MÁQUINA. CUALQUIER EXTENSIÓN O MODIFICACIÓN REALIZADA A ESTA GARANTÍA POR UN COMERCIANTE/DISTRIBUIDOR DE AMERICAN SANDERS SERÁ RESPONSABILIDAD EXCLUSIVA DEL COMERCIANTE/DISTRIBUIDOR.

American Sanders se reserva el derecho de cambiar su política de garantía sin previo aviso.

Copyright 2019 American Sanders

Garantie limitée

EZ-E

POUR BÉNÉFICIER DE CETTE GARANTIE

- (1) La machine doit être enregistrée dans les 30 jours suivant l'achat sur un formulaire fourni par American Sanders. Votre distributeur American Sanders est responsable de l'enregistrement de votre machine. Veuillez coopérer avec votre distributeur pour fournir les informations nécessaires sur la carte.
- (2) La machine doit avoir été achetée chez American Sanders ou chez un distributeur American Sanders agréé.
- (3) Cette garantie s'étend à l'acheteur original seulement et n'est pas transférable aux propriétaires suivants.

PÉRIODES

GARANTIE D'UN (1) AN — Pour l'EZ-E.

Garantie contre tout défaut de matériaux et de fabrication pour une période d'un (1) an à compter de la date d'achat par les propriétaires originaux. (Voir Exclusions)

EXCLUSIONS (non couvertes par la garantie)

- (1) Pièces consommables et pièces défectueuses dues à l'usure normale en raison de leurs caractéristiques (cordons, tampons, disques abrasifs, balais de moteur à charbon, roues, ampoules, filtres, sacs ou autres pièces consommables).
- (2) Cette garantie ne s'étend pas aux pièces affectées par une mauvaise utilisation, négligence, abus, accidents, dommages pendant le transport, surcharge de la capacité de la machine, défaillance due à un manque d'entretien ou de soin tel que décrit dans les instructions d'utilisation et de maintenance. Toutes les pièces défectueuses doivent être retournées au distributeur pour crédit.
- (3) Les ajustements mineurs, tels que le serrage de vis ou de boulons non liés au remplacement de pièces, ne sont pas couverts.
- (4) Les réparations ou modifications effectuées par un organisme autre que l'usine ou un centre de service autorisé ne sont pas couvertes et annuleront toute garantie American Sanders quant aux pièces ou systèmes réparés ou modifiés par un organisme non autorisé.

OBLIGATIONS DE AMERICAN SANDERS

- (1) L'obligation d'American Sanders en vertu de cette garantie se limite à la réparation ou au remplacement, à son choix, de toute pièce dont il est prouvé qu'elle présente un défaut de matériau ou de fabrication dans des conditions normales d'utilisation pour la période applicable indiquée ci-dessus.
- (2) Les réparations sous garantie seront effectuées par votre distributeur American Sanders sans frais pour les pièces et la main-d'œuvre. Elles seront rémunérées avec un taux de main-d'œuvre garanti de 45,00 \$ l'heure, pour la première année d'utilisation.
- (3) Les pièces réparées ou remplacées dans le cadre de cette garantie ne sont garanties que pendant le reste de la période de garantie originale. Toutes les pièces défectueuses remplacées dans le cadre de ces garanties deviennent la propriété d'American Sanders.

SERVICE DE GARANTIE

Pour obtenir le service de garantie, apportez votre machine et la preuve d'achat à un distributeur American Sander agréé. American Sanders ne rembourse pas les frais d'appel de service ou de déplacement. Pour connaître le distributeur le plus proche de chez vous, appelez le service à la clientèle d'American Sanders au 800-367-3550 ou au 336-372-8080. Si vous n'êtes pas satisfait du service que vous recevez, appelez ou écrivez au service clientèle d'American Sanders pour obtenir de l'aide.

INSTRUCTIONS ET CONDITIONS DE REMBOURSEMENT DE LA GARANTIE

- Commander une pièce de rechange : Les commandes seront traitées et facturées selon la procédure normale.
- Appelez American Sanders pour le numéro R/A.
- Vous aurez besoin du numéro de série de la machine et du numéro de modèle de la machine.
- Les pièces doivent être retournées, accompagnées du numéro R/A pour être admissibles au crédit de garantie.
- Toutes les pièces sous garantie seront expédiées en port payé UPS Ground, toute autre méthode sera à la charge du destinataire.
- Les frais de transport sur toute pièce sous garantie après 30 jours doivent être payés par l'acheteur.
- Le taux de main d'œuvre de garantie est de 45,00 USD par heure.
- Le crédit sera accordé à l'achèvement des étapes ci-dessus, aux taux susmentionnés.

Le transport de déchets dangereux ou d'équipements contaminés est assujéti à diverses lois et règlements. En retournant les machines, pièces ou accessoires sous cette garantie limitée, l'utilisateur final doit certifier par écrit que les machines, pièces ou accessoires retournés n'ont pas été utilisés pour la manipulation, le nettoyage ou l'élimination de déchets dangereux ou de matières dangereuses, notamment l'amiante, l'anthrax, etc. ou si les machines, pièces ou accessoires retournés ont été utilisés pour manipuler, nettoyer ou éliminer des déchets dangereux ou matières dangereuses, alors il doit faire décontaminer les machines, pièces ou accessoires par un spécialiste qualifié et autorisé et fournir la confirmation écrite signée de cette décontamination. Ces machines, pièces ou accessoires doivent être retournés uniquement au centre de service local American Sanders pour le service de garantie et la certification de décontamination.

AVIS DE NON-RESPONSABILITÉ À L'ÉGARD DES DOMMAGES CONSÉCUTIFS

IL N'Y A AUCUNE GARANTIE QUI S'ÉTEND AU-DELÀ DE LA DESCRIPTION DES GARANTIES LIMITÉES QUI Y SONT ÉNONCÉES. AUCUNE AUTRE GARANTIE, EXPRESSE OU IMPLICITE, Y COMPRIS, MAIS SANS S'Y LIMITER, TOUTE GARANTIE IMPLICITE DE QUALITÉ MARCHANDE OU D'ADAPTATION À UN USAGE PARTICULIER, N'EST DONNÉE, SAUF DANS LES CAS EXPRESSÉMENT PRÉVUS AUX PRÉSENTES. TOUTE GARANTIE IMPLICITE LÉGALE, Y COMPRIS TOUTE GARANTIE DE QUALITÉ MARCHANDE OU D'ADÉQUATION À UN USAGE PARTICULIER, QUI EST IMPOSÉE PAR LA LOI MALGRÉ LA LIMITATION OU LES GARANTIES EXPRESSES CI-DESSUS, EST EXPRESSÉMENT LIMITÉE À LA DURÉE DE LA GARANTIE ÉCRITE. L'ACHETEUR COMPREND, RECONNAÎT ET ACCEPTE QUE LES RECOURS PRÉVUS PAR LA PRÉSENTE GARANTIE LIMITÉE SONT LES SEULS ET UNIQUES RECOURS DONT IL DISPOSE. AMERICAN SANDERS DÉCLINE TOUTE RESPONSABILITÉ POUR LA PERTE DE TEMPS D'UTILISATION DE LA MACHINE AMERICAN SANDERS OU TOUT AUTRE DOMMAGE ACCESSOIRE OU CONSÉCUTIF. CECI INCLUT, MAIS SANS S'Y LIMITER, LES DOMMAGES INDIRECTS, SPÉCIAUX OU CONSÉCUTIFS DÉCOULANT DE L'ÉQUIPEMENT, DE L'EXÉCUTION, DE L'UTILISATION OU DE L'INCAPACITÉ D'UTILISER LA MACHINE OU EN RAPPORT AVEC CELLE-CI. TOUTE EXTENSION OU MODIFICATION APPORTÉE À CETTE GARANTIE PAR UN CONCESSIONNAIRE/DISTRIBUTEUR D'AMERICAN SANDERS RELÈVE DE LA SEULE RESPONSABILITÉ DU CONCESSIONNAIRE/DISTRIBUTEUR.

American Sanders se réserve le droit de modifier sa politique de garantie sans préavis.

Copyright 2019 American Sanders



American Sanders
an AMANO Company

1 Eclipse Rd • PO Box 909
Sparta, North Carolina 28675 • USA
www.pioneereclipse.com
www.americansanders.com

+1-336-372-8080
1-800-367-3550
Fax 1-336-372-2913