

GorillaConcreteTools

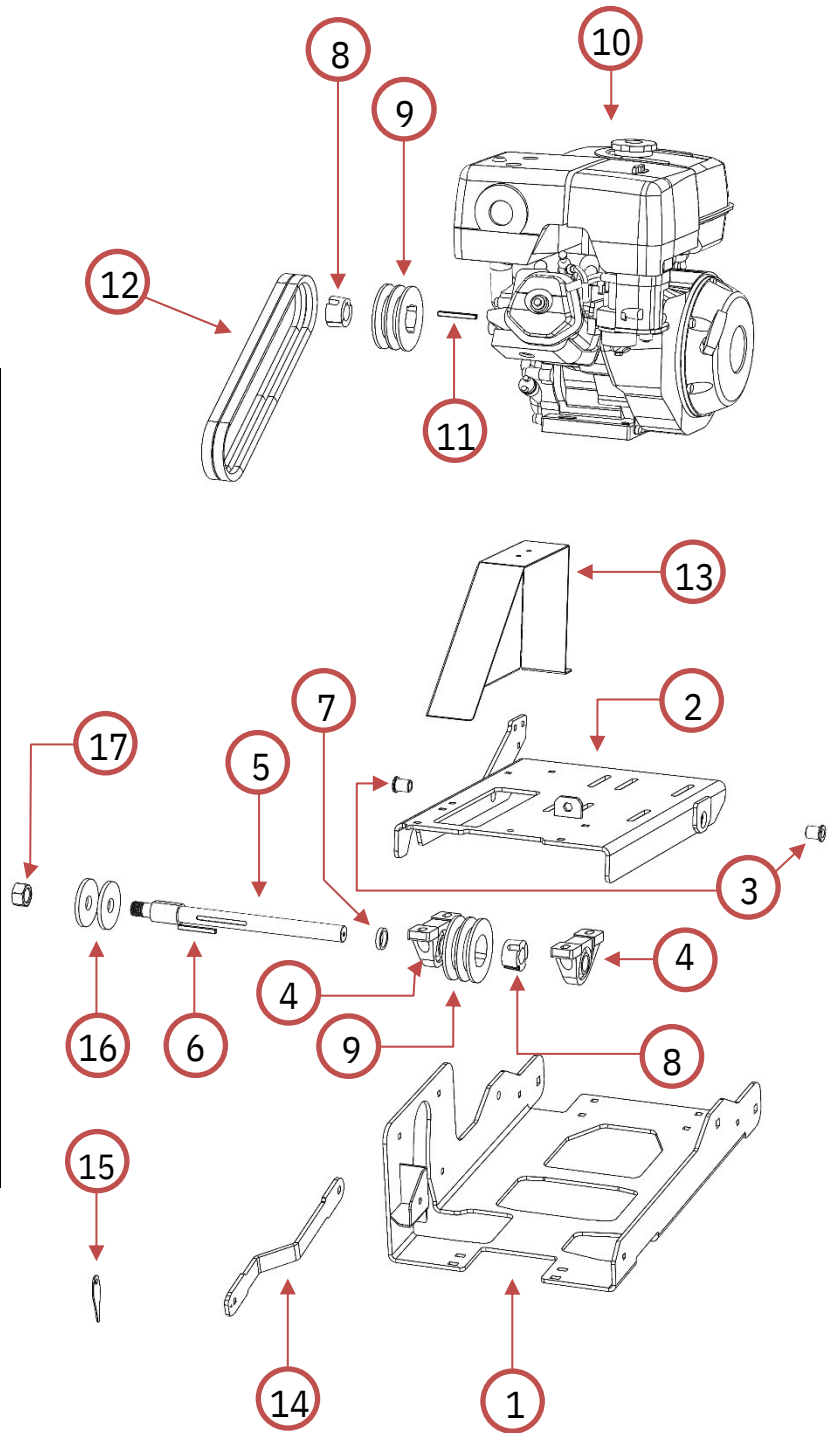
GCT-X Series

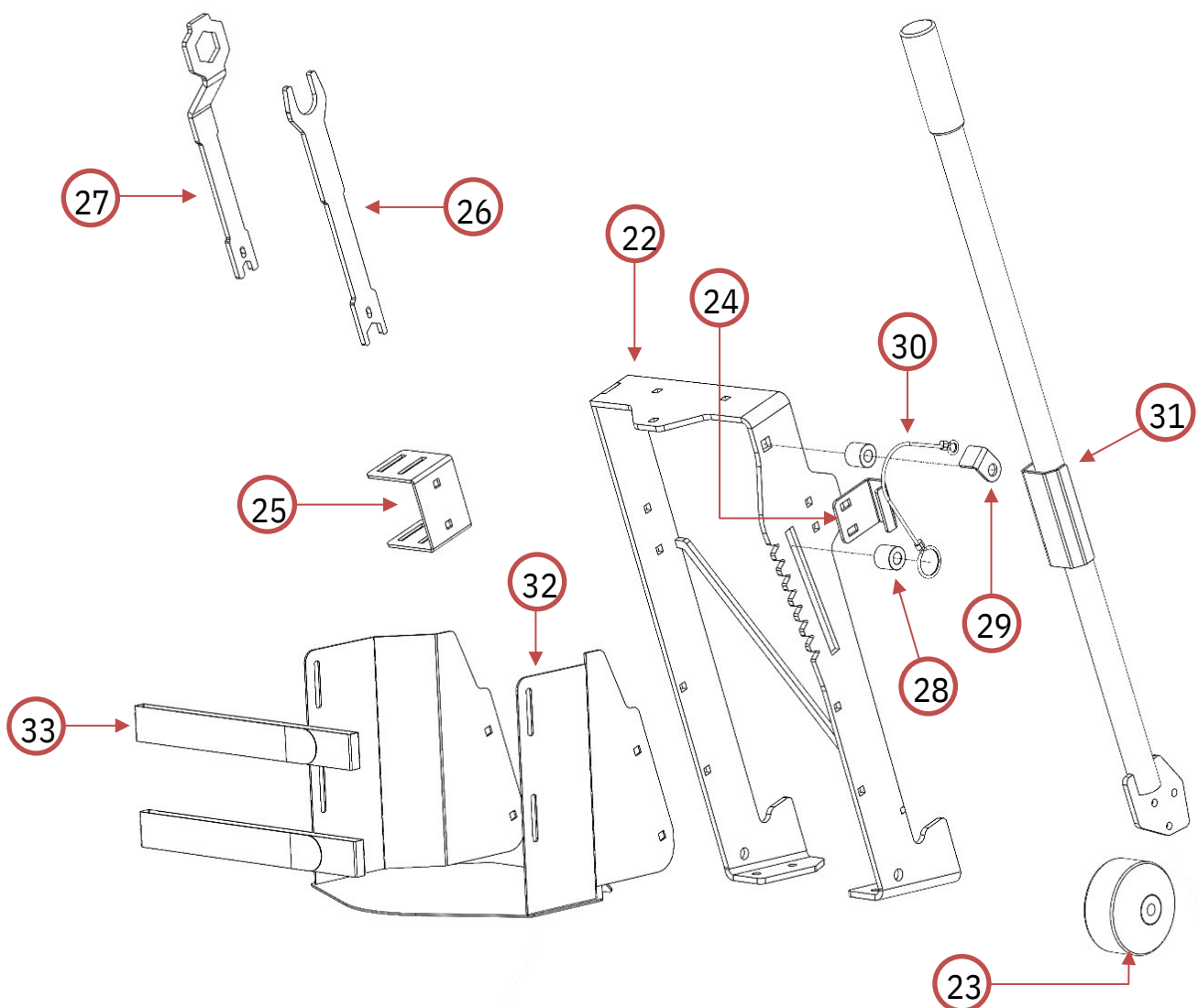
Product Manual



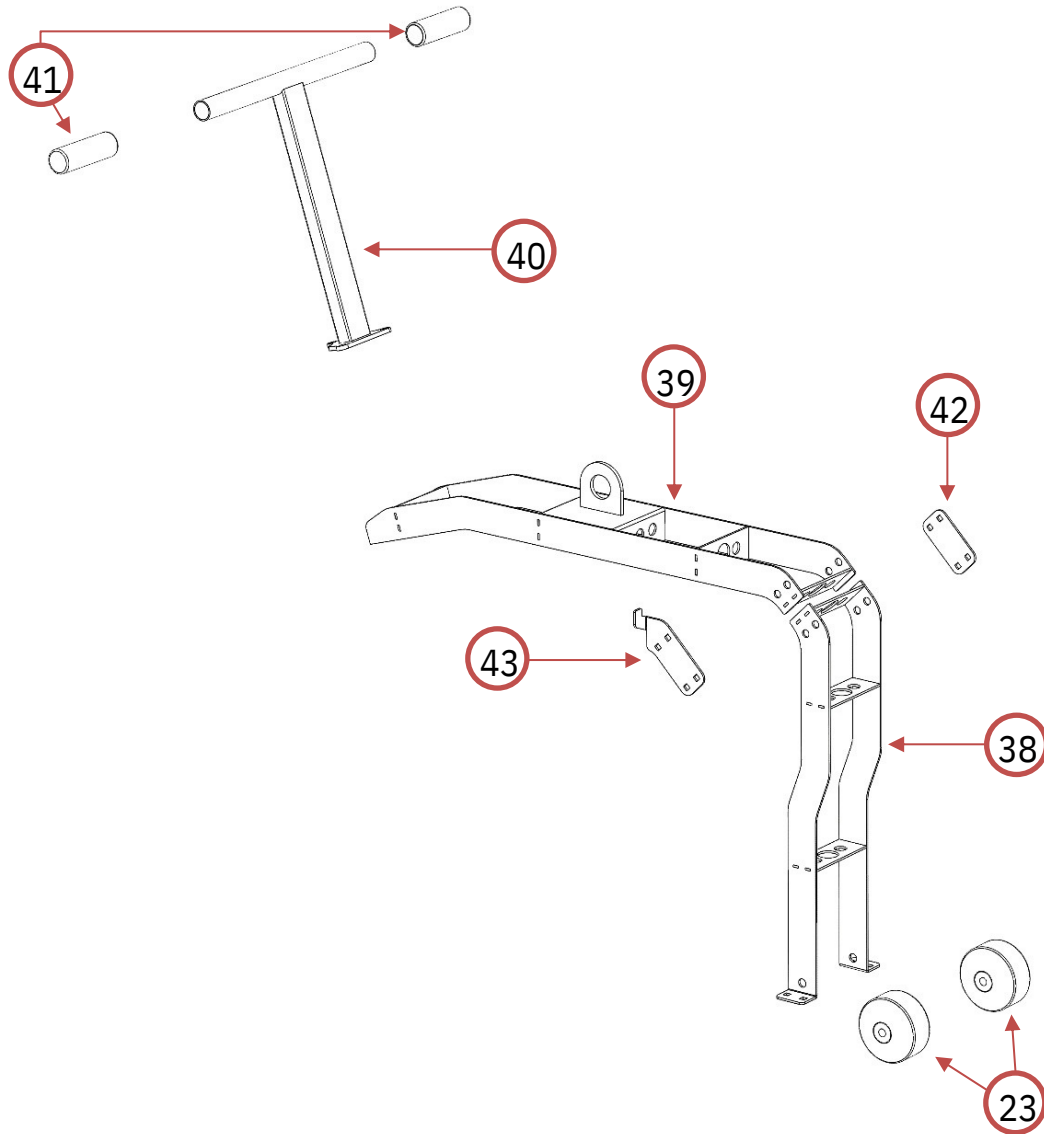
Parts Diagram

Part #	Description
X-1	Saw Base
X-2	Motor Mounting Plate
X-3	Motor Plate Bushing
X-4	Shaft Bearing
X-5	Blade Shaft
X-6	Blade Shaft Key
X-7	Blade Shaft Spacer
X-8	Taper Lock Bushing
X-9	Pulley
X-10	Engine
X-11	Engine Shaft Key
X-12	Drive Belt
X-13	Belt Cover
X-14	Blade Pointer Arm
X-15	Pointer
X-16	Blade Clamp
X-17	Blade Shaft Nut

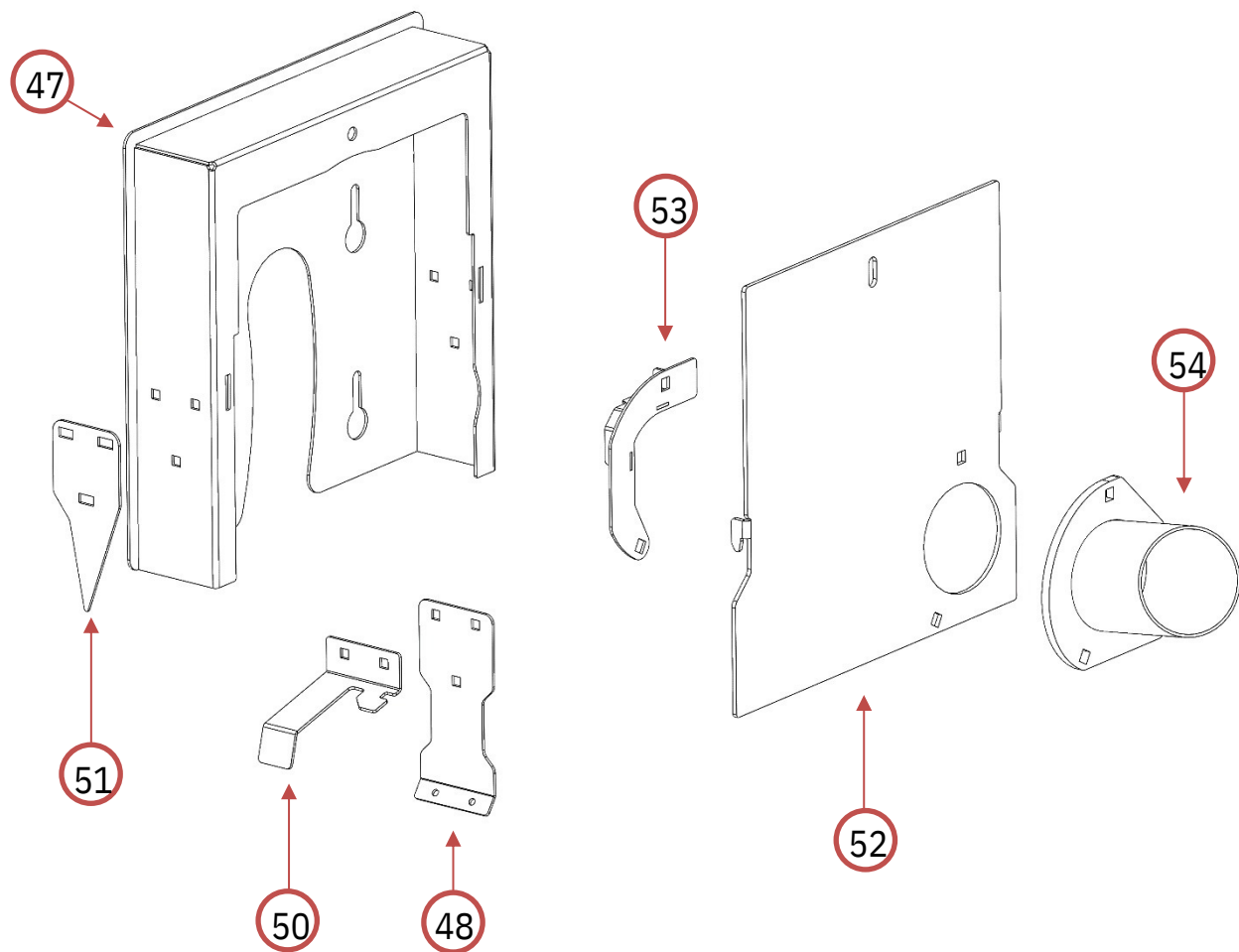




Part #	Description
X - 22	Handle Mount
X - 23	Wheel
X - 24	Lift/Lower Lock
X - 25	Wrench Holder
X - 26	Shaft Wrench
X - 27	Nut Wrench
X - 28	Aluminum Spacer
X - 29	Depth Cable Retainer
X - 30	Depth Cable
X - 31	Lift/Lower Handle
X - 32	Propane Tank Holder
X - 33	Propane Tank Strap



Part #	Description
X - 38	Lifting Mechanism Upright/Front Wheel Mount
X - 39	Lifting Mechanism Crossmember
X - 40	Handle
X - 41	Grip
X - 42	Lifting Mechanism Connecting Plate
X - 43	Blade Holder
X - 44	Lifting Mechanism Assembly (X-38, 39, 40, 41, 42, 43)



Part #	Description
X - 47	8" Dust Box Main
X - 48	Dust Skirt Mount
X - 49	Dust Skirt (Not Pictured)
X - 50	Internal Dust Deflector
X - 51	Rear Blade Pointer
X - 52	8" Dust Box Door
X - 53	Dust Box Door Deflector
X - 54	Dust Port
X - 55	10" Dust Box (Not Pictured)
X - 56	10" Dust Box Door (Not Pictured)
X - 57	10" Dust Box 3" Dust Port (Not Pictured)
X - 58	8" Dust Box Assembly
X - 59	10" Dust Box Assembly

Product Set-Up

DANGER
**ELECTRICAL
 SHOCK HAZARD**

Warnings!

These instructions are only intended to show you the set-up of our saw. Do not use until you have been trained on how to properly operate a walk behind concrete saw.



Stay clear of others while in operation. Debris can fly from blade area. Eye and face protection required.



Respirator required. Operate in well ventilated area.



Ear protection required.

ADD OIL TO ENGINE BEFORE USE! Blade Installation Yellow Arrows

1. Remove dust box door using the 4-arm knob (Fig. 1)
2. Remove the nut and one (1) blade washer
3. Place the blade on the shaft shoulder and reinstall the washer and nut. (Fig. 3)
4. Secure using the supplied shaft/nut wrenches (Fig. 3) and reinstall the blade door and 4-arm knob

Blade Size: 8" D x 7/8" bore

Blade Depth Adjustment: Red Arrows (Fig. 2)

This unit uses a cable mechanism for blade depth adjustment

1. Loosen the nylon locking nut on the cable.
2. Slide the nut up to gain depth of cut and down to lose depth of cut.
3. Once the desired depth is achieved, tighten nylon locking nut on the cable.

****Notches are for reference and are approximately 1/2" apart****

Blade Pointer Alignment: Blue Arrows

1. After proper blade installation, lower front pointer arm. Loosen bolts on the front and rear pointers.
2. Align the blade with a straight edge long enough to reach the front and rear pointers.
3. Tighten down bolts securing the front and rear pointers.

Feature Call Outs: Green Arrows

- 2-inch dust port: Minimum 250 CFM required for 8-X and 300 CFM required for 10-X (Fig. 1)
- Blade depth adjustment cable (Red arrow: Fig. 2)
- Saw lifting point (Fig. 3)
- Onboard wrench storage (Fig. 3)

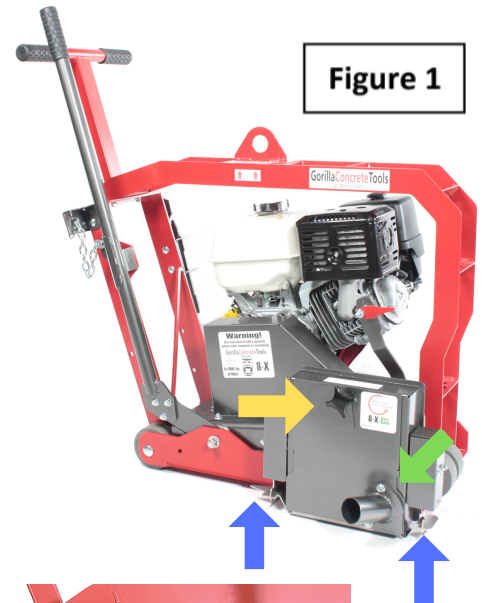


Figure 1

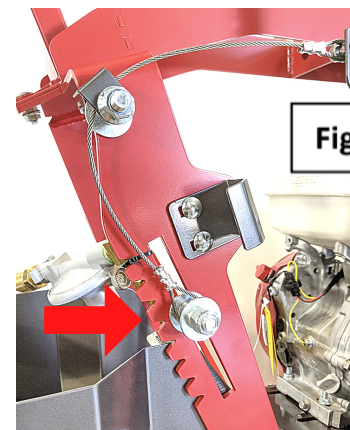


Figure 2

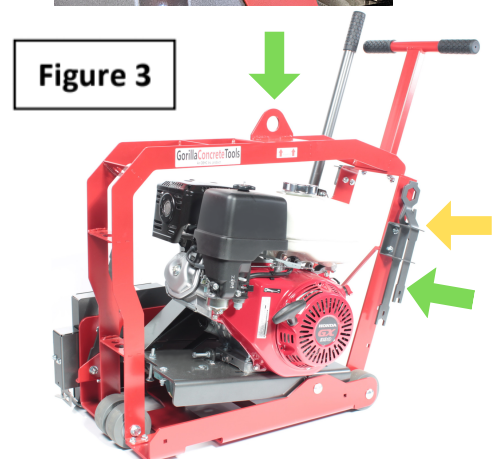


Figure 3