

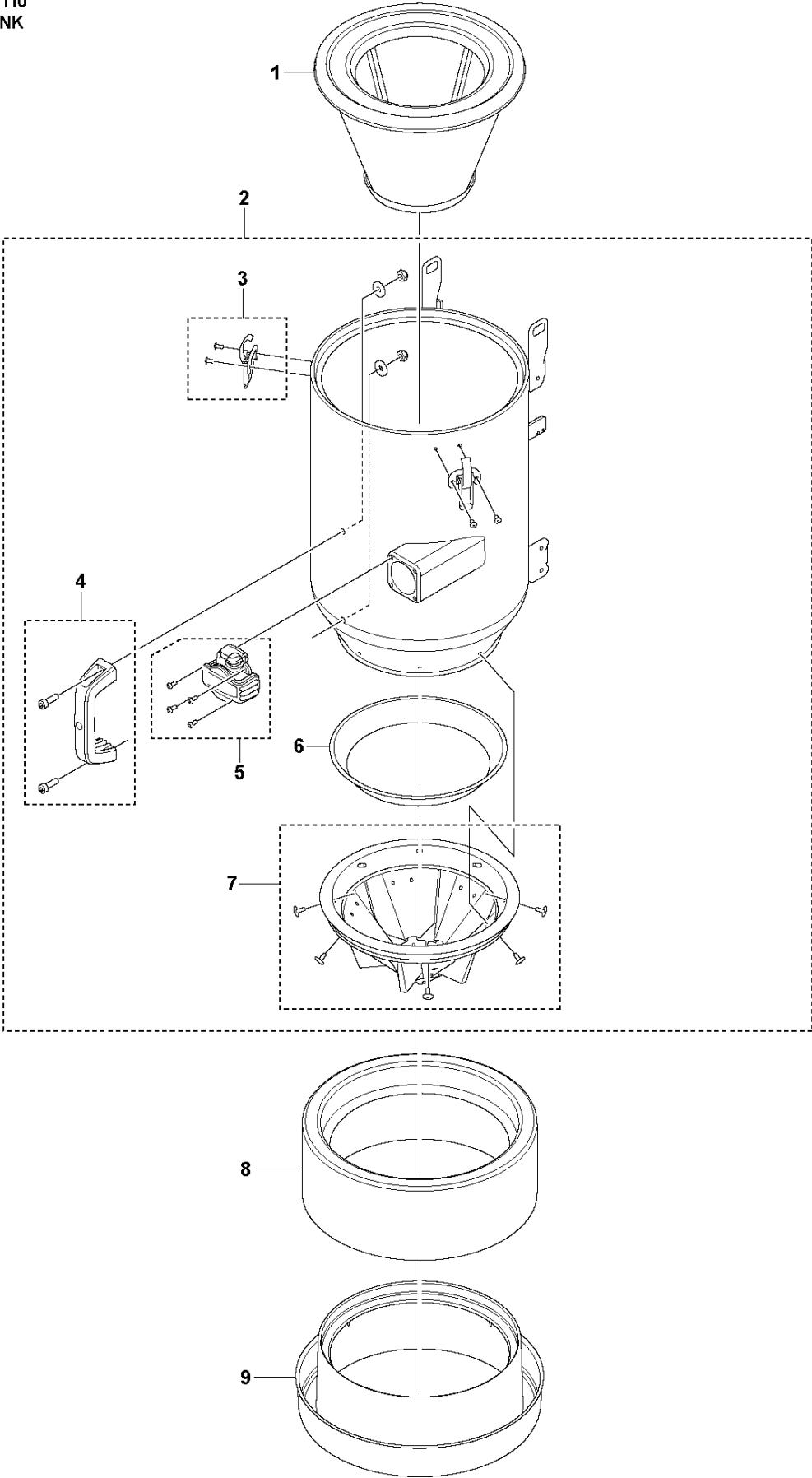


# SPARE PARTS LIST

DUST AND SLURRY MANAGEMENT

DE 110, 2022-01

**A** DE 110  
TANK

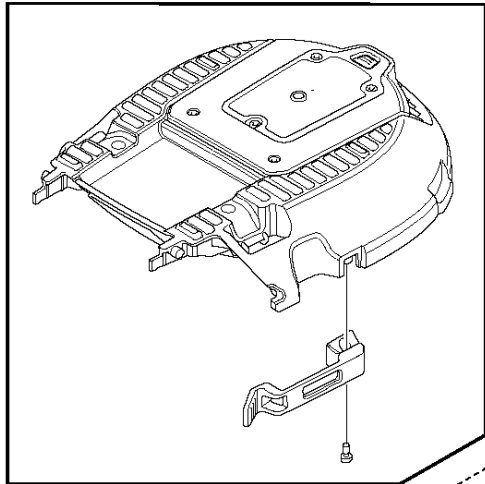


## TANK

DE 110, 2022-01

Ref	Part No	Description	Remark	QTY	KIT
1	536 37 26-01	AIR FILTER		1	
2	534 11 91-01	TANK ASSY		1	
3	534 11 93-01	BUCKLE		1	2
4	534 11 96-01	HANDLE		1	2
5	534 12 71-01	INLET		1	2
6	531 38 49-01	SUPPORT RING		1	2
7	534 12 74-01	CONE		1	2
8	590 42 92-01	DUST BAG		1	
9	599 15 85-01	HOLDER		1	

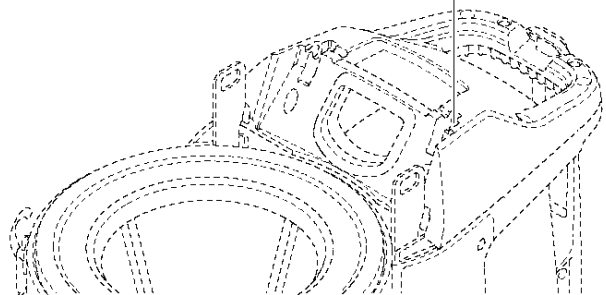
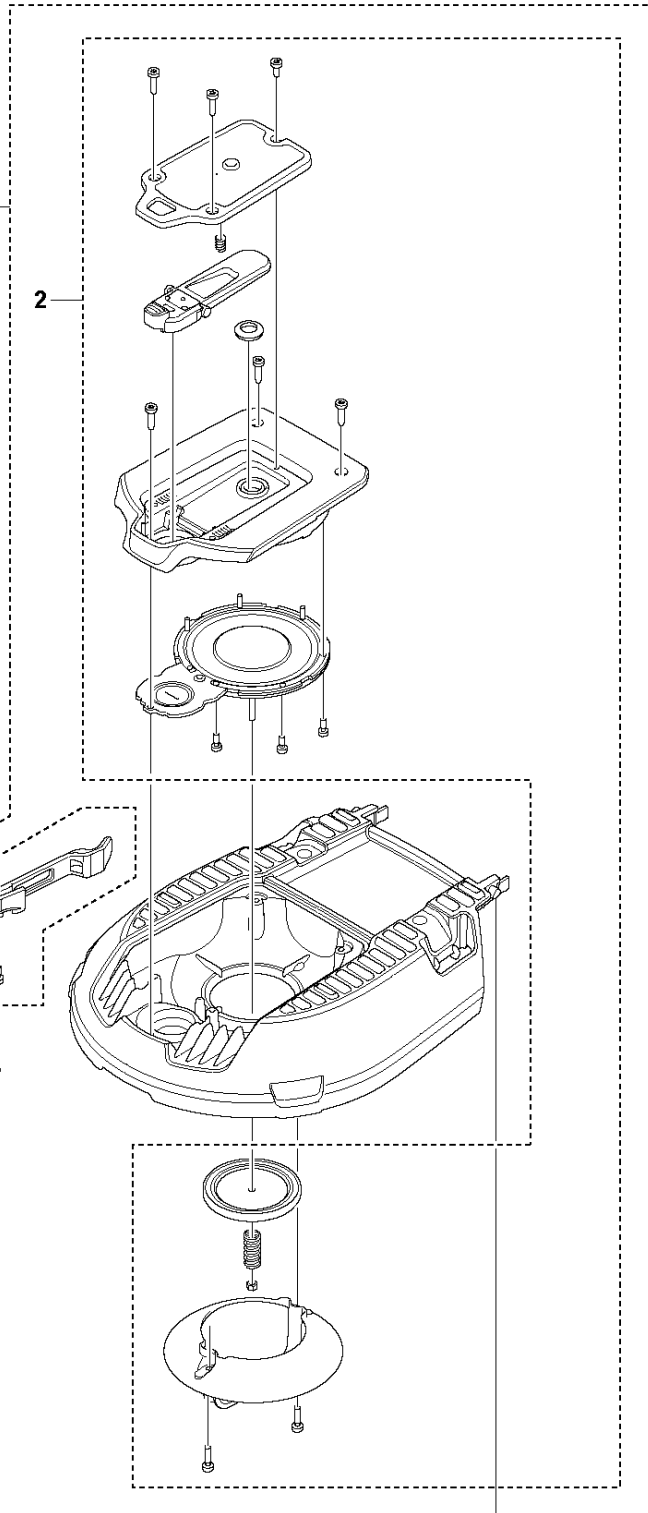
**B** DE110  
LID



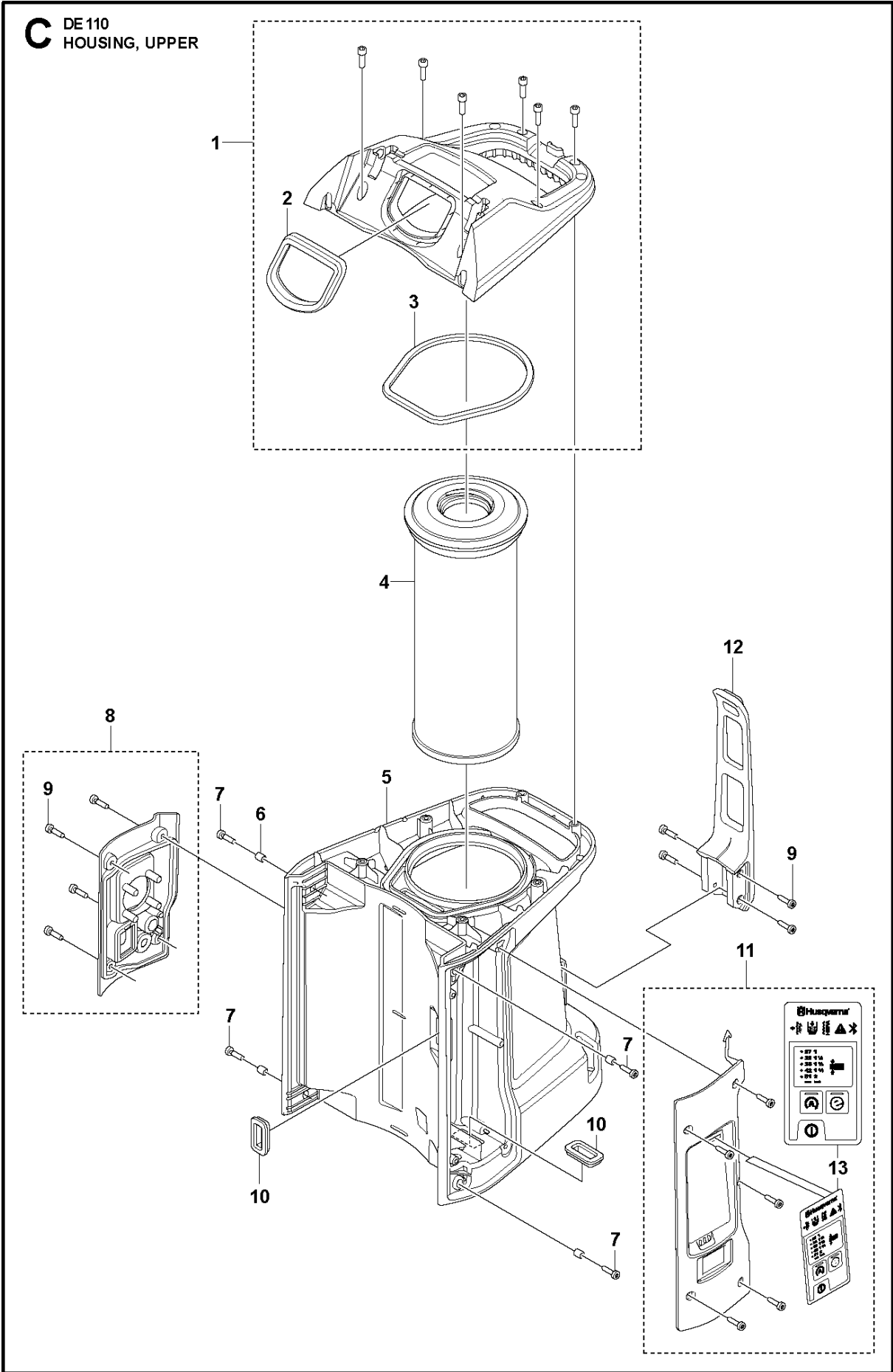
1

2

3

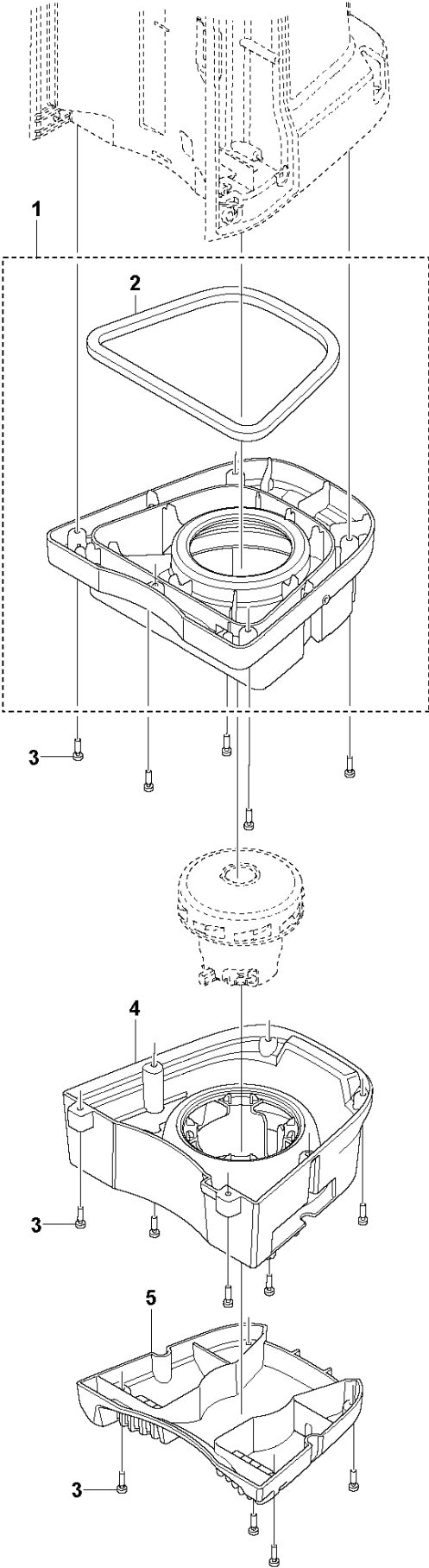


Ref	Part No	Description	Remark	QTY KIT	
1	598 92 87-01	LID ASSY		1	
2	534 12 69-01	LEVER ASSY		1	1
3	534 12 02-01	STRAP		1	1



Ref	Part No	Description	Remark	QTY KIT	
1	534 13 60-01	COVER		1	
2	598 83 63-01	SEALING		1	1
3	598 83 64-01	SEALING		1	1
4	534 12 36-01	FILTER		1	
5	598 92 93-01	HOUSING		1	
6	599 83 84-01	BUSHING		1	
7	544 21 84-20	SCREW ITXSCM		1	
8	529 97 47-01	LID	EU/AU	1	
8	529 97 47-02	LID	UK	1	
8	529 97 47-03	LID	US	1	
9	599 60 83-01	SCREW ITXSCT		19	8
10	599 62 41-01	SEALING		2	
11	534 12 72-01	LID		1	
12	599 37 96-01	STRAP		1	
13	599 44 50-01	KEYPAD		1	11

**D** DE 110  
HOUSING, LOWER



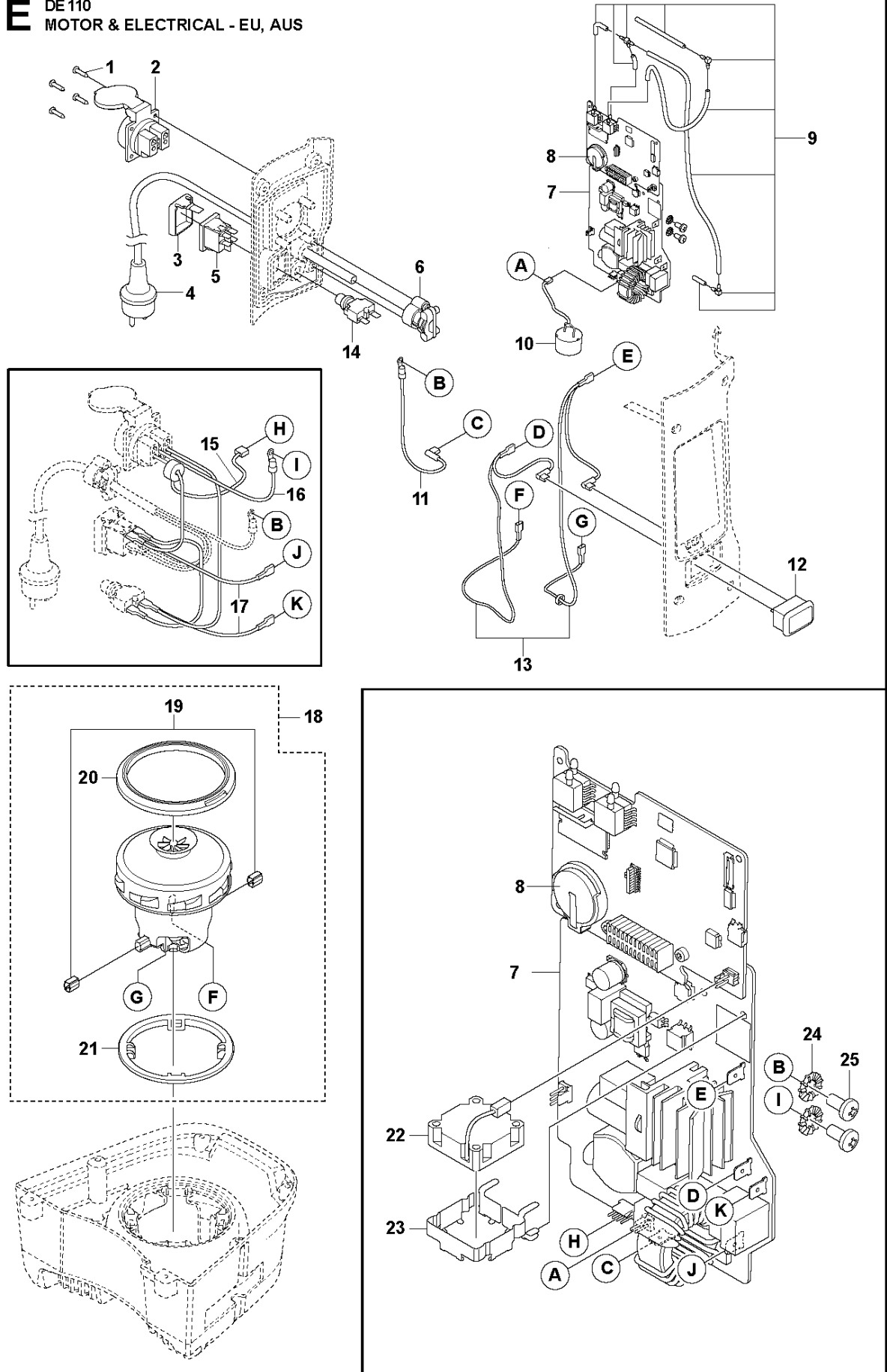


HOUSING, LOWER

DE 110, 2022-01

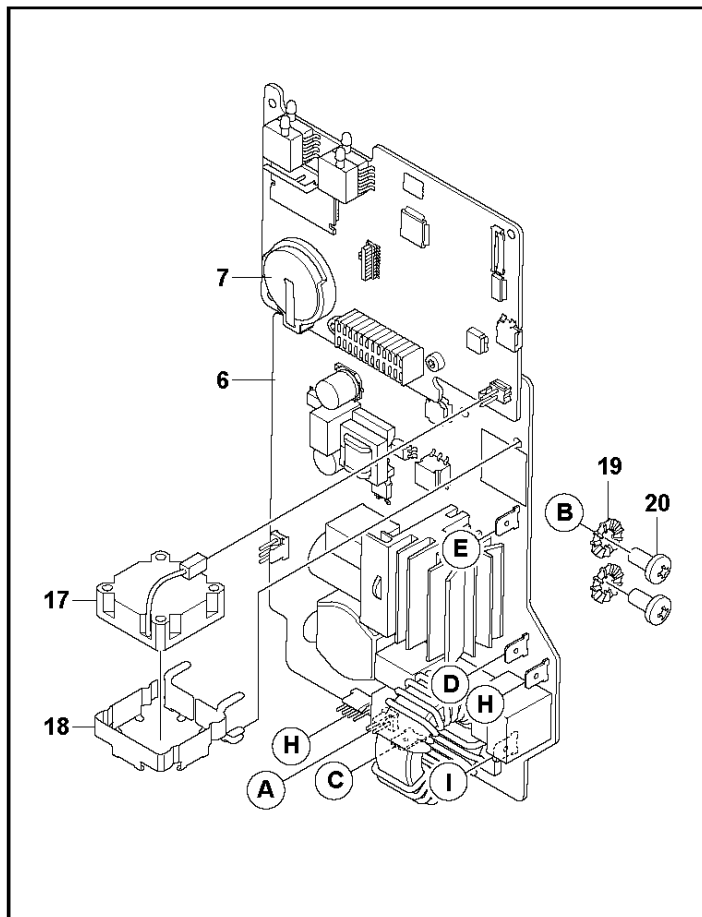
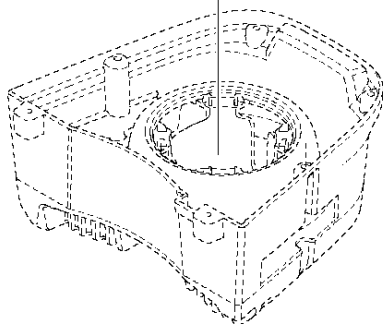
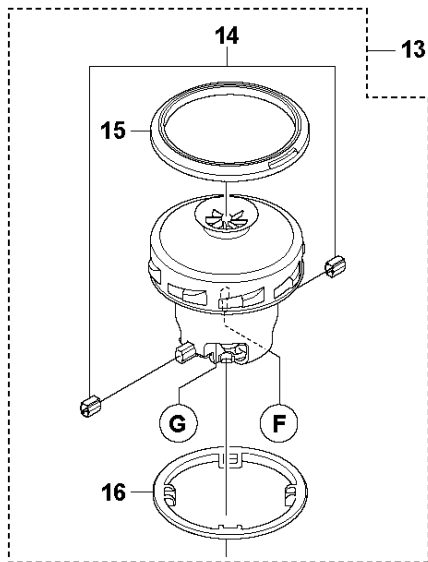
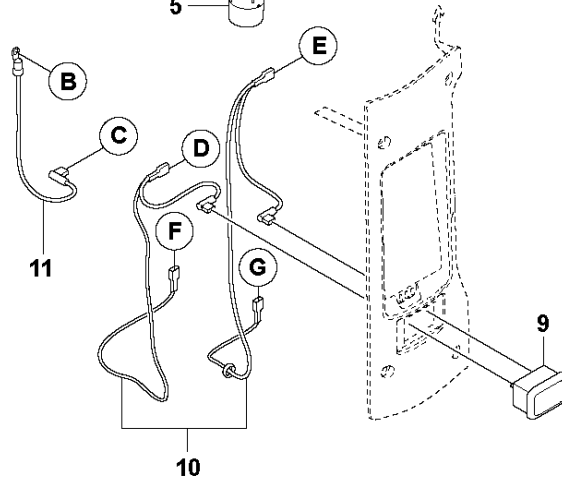
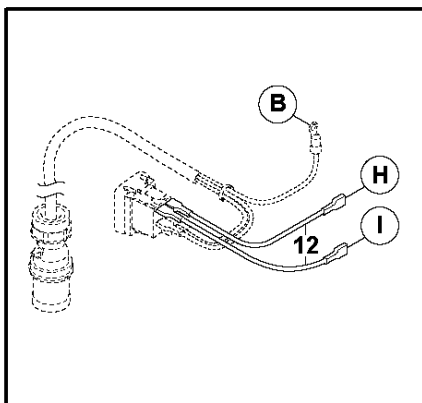
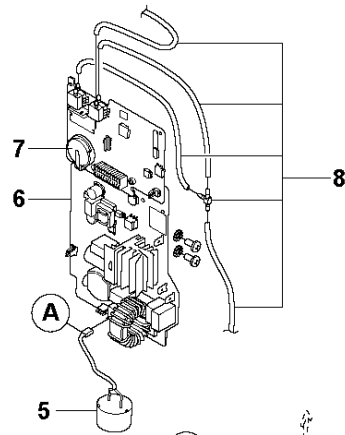
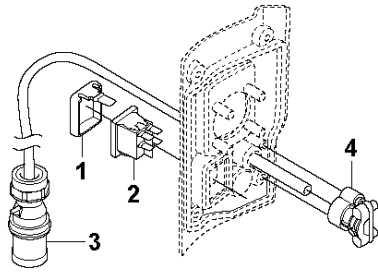
Ref	Part No	Description	Remark	QTY	KIT
1	534 13 67-01	COVER		1	
2	599 29 89-01	SEALING		1	1
3	599 60 83-01	SCREW ITXSCT		13	
4	598 88 99-01	MOTOR HOUSING		1	
5	598 89 00-01	COVER		1	

**E** DE 110  
MOTOR & ELECTRICAL - EU, AUS

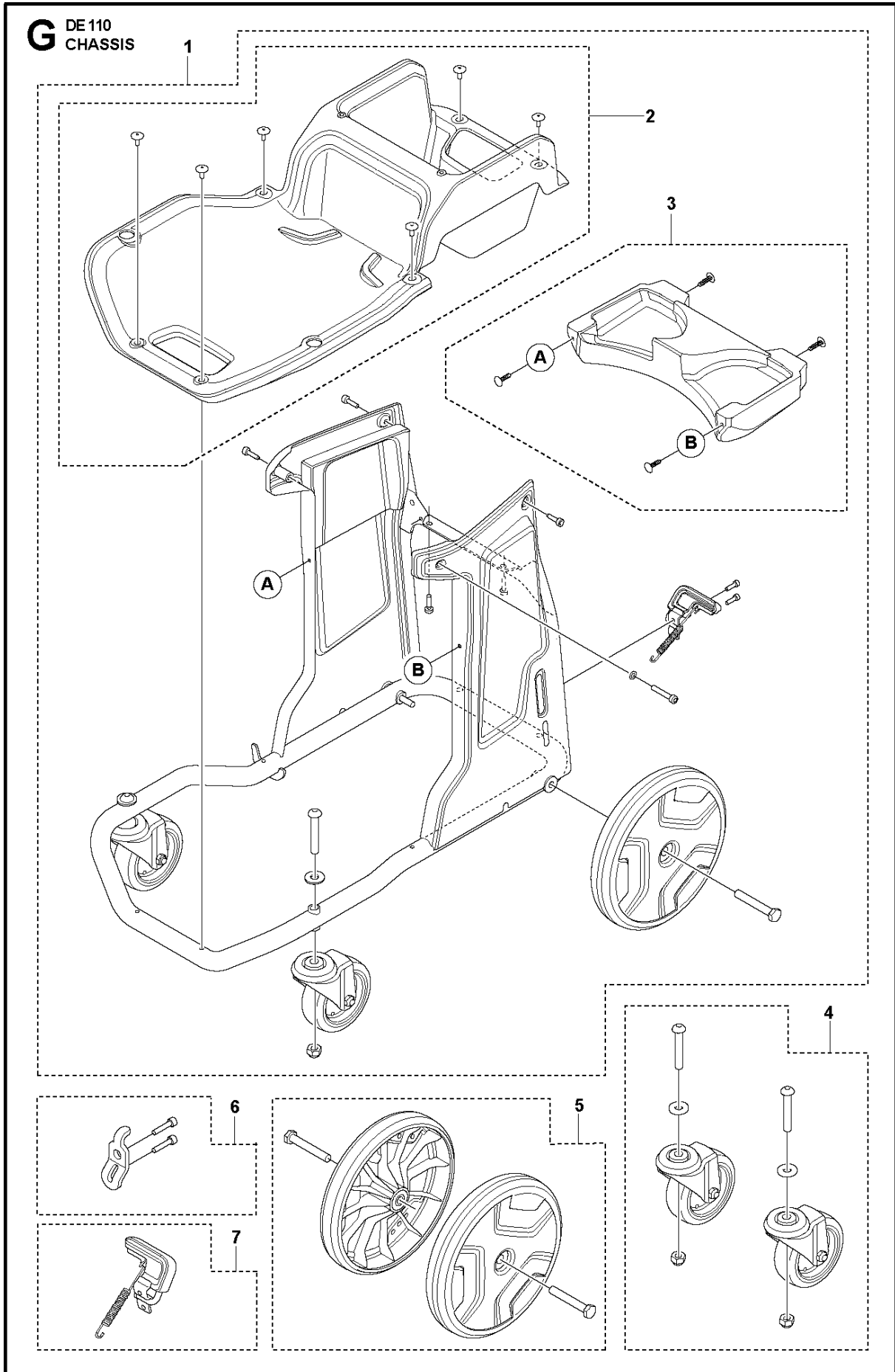


Ref	Part No	Description	Remark	QTY	KIT
1	599 60 83-01	SCREW ITXSCT		4	
2	599 97 65-01	SOCKET	EU 16A	1	
2	599 97 65-02	SOCKET	AUS 10A	1	
3	534 14 91-01	LID		1	
4	599 24 93-01	POWER CORD	EU 16A	1	
4	599 24 93-02	POWER CORD	AU 10A	1	
5	529 67 99-01	SWITCH		1	
6	531 39 17-01	CABLE GROMMET		1	
7	599 81 99-01	PRINTED CIRCUIT ASSY	1ph	1	
8	000 00 00-00	W/O DESCRIPTION	CR2450X / 3V 600mAh	1	
9	536 47 80-01	HOSE KIT		1	
10	599 83 95-01	BUZZER		1	
11	529 62 08-01	WIRE	EU/RoW/AUS	1	
12	599 58 92-01	HOUR METER		1	
13	529 62 07-01	WIRE		2	
14	534 20 66-02	CIRCUIT BREAKER	EU 16A	1	
14	534 20 66-03	CIRCUIT BREAKER	AUS 10A	1	
15	599 80 72-01	SENSOR ASSY		1	
16	529 58 29-01	WIRE	Aux-PCBA	1	
17	534 98 47-01	WIRE	Switch-Fuse	2	
18	535 28 73-01	MOTOR KIT	EU/ROW/AU/BR 230V	1	
19	536 50 75-01	BRUSH KIT	230V	2	18
20	599 29 88-01	SEALING RING		1	18
21	599 51 03-01	SEALING RING		1	18
22	531 11 35-01	BRACKET		1	
23	531 07 00-01	FAN		1	
24	735 21 46-01	LOCKWASHER		2	
25	724 13 25-51	SCREW CRPANM		2	

**F** DE 110  
MOTOR & ELECTRICAL - US, UK, JP



Ref	Part No	Description	Remark	QTY	KIT
1	534 14 91-01	LID		1	
2	529 67 99-01	SWITCH		1	
3	599 24 93-11	POWER CORD	US	1	
3	599 24 93-04	POWER CORD	UK 16A	1	
3	599 24 93-11	POWER CORD	JP	1	
4	531 39 17-01	CABLE GROMMET		1	
5	599 83 95-01	BUZZER		1	
6	599 81 99-01	PRINTED CIRCUIT ASSY		1	
7	000 00 00-00	W/O DESCRIPTION	CR2450X / 3V 600mAh	1	
8	536 47 80-01	HOSE KIT		1	
9	599 58 92-01	HOUR METER		1	
10	529 62 07-01	WIRE		2	
11	529 62 08-02	WIRE	US, JP	1	
11	529 62 08-01	WIRE	UK	1	
12	534 22 91-01	WIRE	US Switch-PCBA	2	
13	535 28 73-02	MOTOR KIT		1	
14	536 50 75-02	BRUSH KIT	120V	2	13
15	599 29 88-01	SEALING RING		1	13
16	599 51 03-01	SEALING RING		1	13
17	531 11 35-01	BRACKET		1	
18	531 07 00-01	FAN		1	
19	735 21 46-01	LOCKWASHER		2	
20	724 13 25-51	SCREW CRPANM		2	

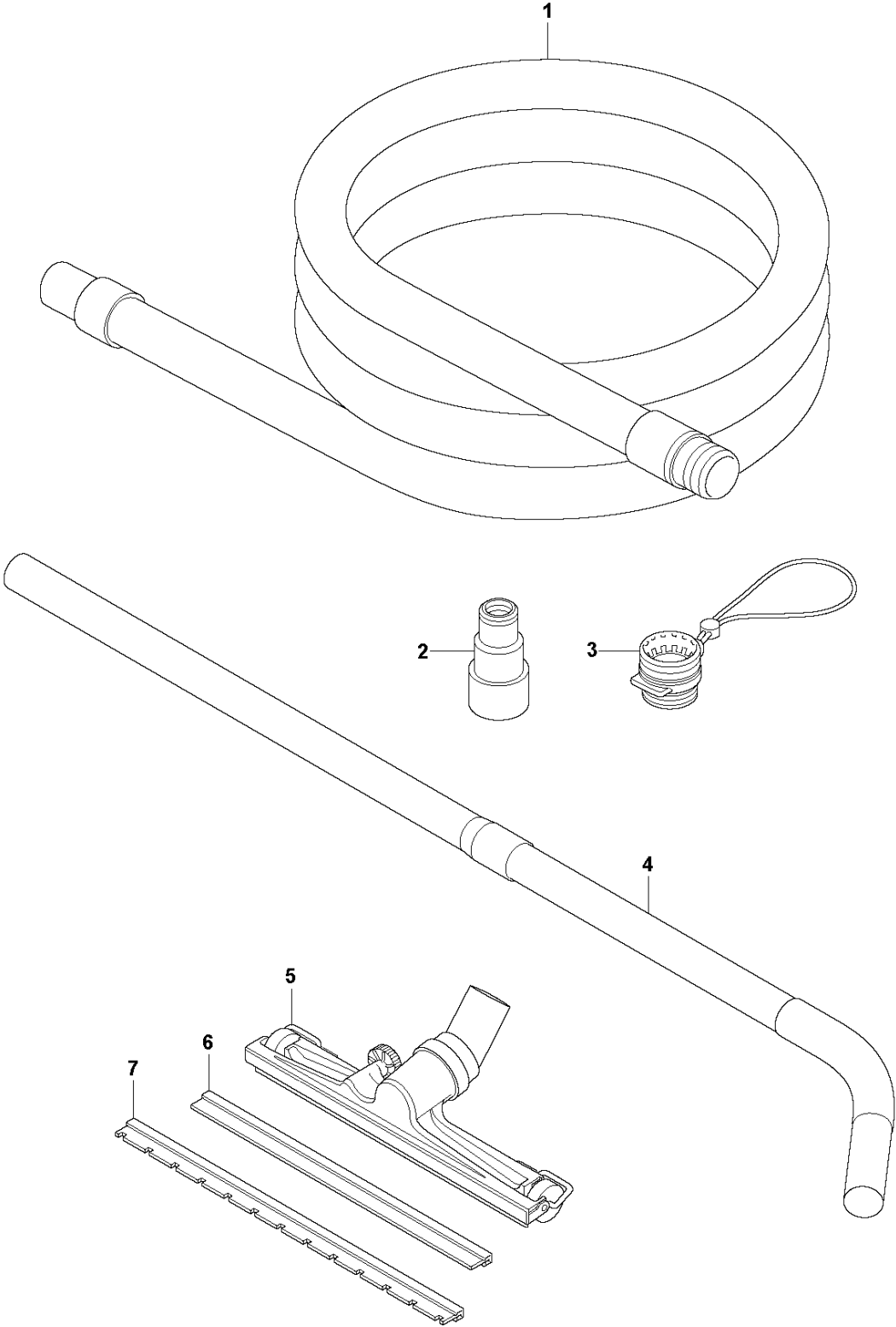


CHASSIS

DE 110, 2022-01

Ref	Part No	Description	Remark	QTY	KIT
1	599 56 25-01	FRAME ASSY		1	
2	534 12 76-01	TRAY		1	1
3	534 13 49-01	DUCT		1	1
4	534 12 51-01	WHEEL KIT		2	
5	534 12 52-01	REAR WHEEL		2	
6	529 74 66-01	BRAKE ASSY			
7	535 28 28-01	BRACKET			

**H** DE 110  
ACCESSORIES





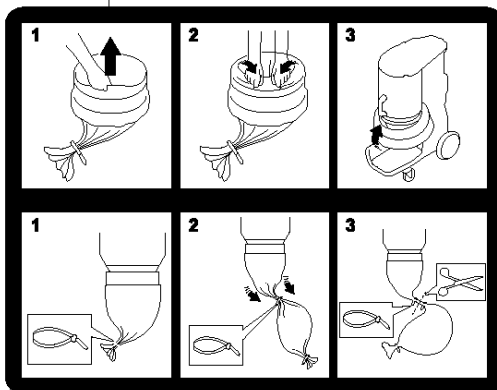
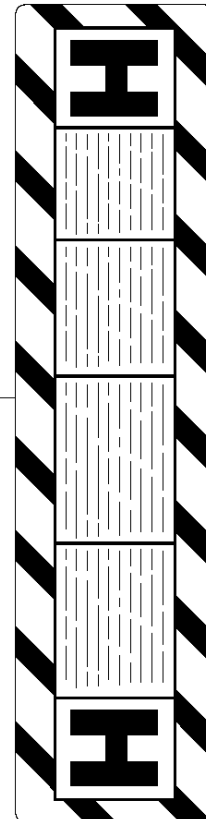
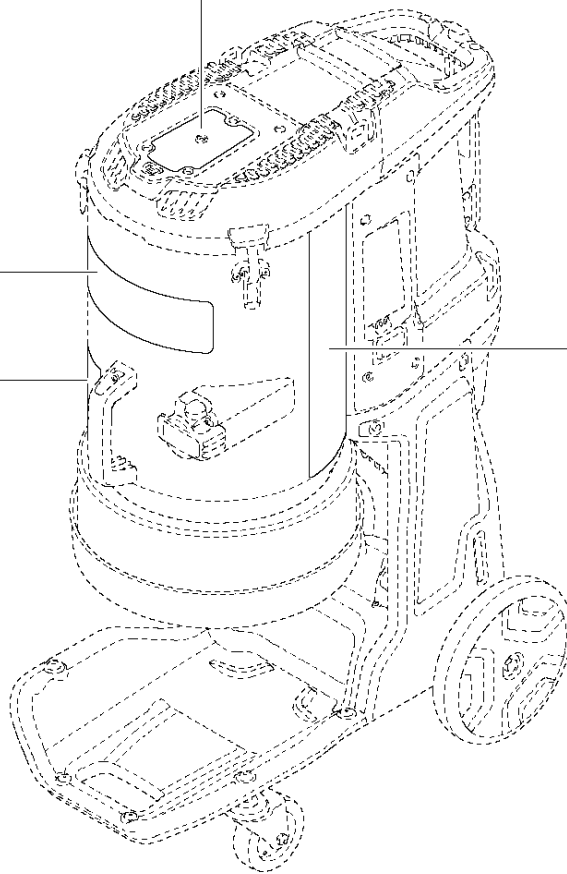
## ACCESSORIES

DE 110, 2022-01

Ref	Part No	Description	Remark	QTY KIT
1	536 35 53-01	SUCTION HOSE ASSY	38mm/5m w adapters	1
1	536 35 54-01	SUCTION HOSE ASSY	38mm/5m w adapters	1
1	529 56 94-01	HOSE	38mm/30m w/o adapters	1
1	529 45 90-01	HOSE	38mm/30m w/o adapters	1
2	536 34 95-01	ADAPTER	38mm Swiveling	1
2	536 34 43-01	ADAPTER	38mm Swiveling hose-wand	1
2	536 34 45-01	HOSE CONNECTOR	38mm hose-machine	1
2	594 95 69-01	ADAPTER	38mm	1
2	536 13 44-01	ADAPTER	hose/hose connector	1
3	531 36 35-01	CAP ASSY	38mm	1
4	536 34 41-01	WAND	38mm	1
5	591 99 27-01	NOZZLE	370mm	1
6	529 80 50-01	NOZZLE	370mm	2
7	529 80 42-01	TOOL	370mm	2

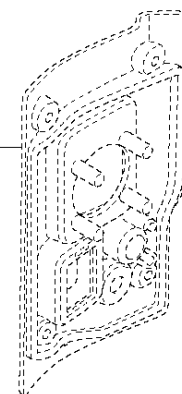
**J** DE 110  
DECALS - EU, AUS, RoW

**Husqvarna**  
**DE 110**



**MAX 10A**

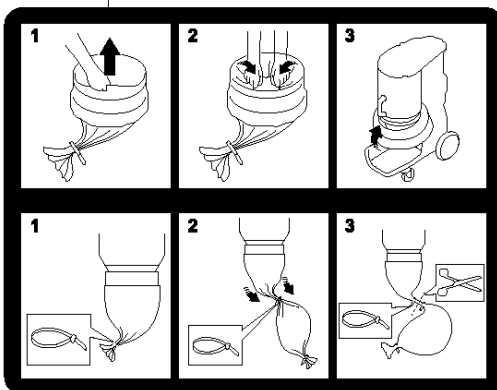
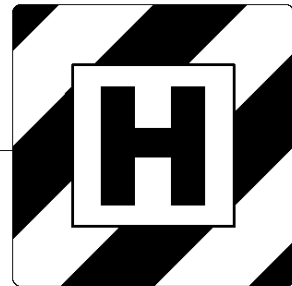
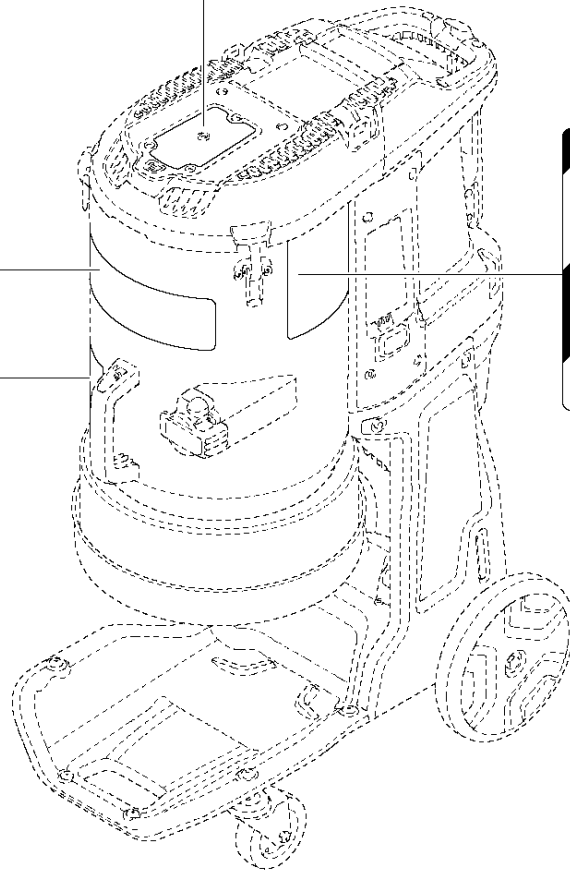
**MIN 200W  
MAX 2300W**



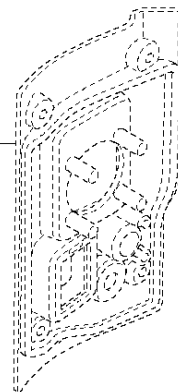
Ref	Part No	Description	Remark	QTY KIT
1	529 82 56-01	DECAL KIT	DE110 RoW	1

**K** DE110  
DECALS - NA

 **Husqvarna**  
**DE 110**



**MIN 200W**  
**MAX 1200W**



Ref	Part No	Description	Remark	QTY KIT
1	529 82 56-02	DECAL KIT	DE110 NA	1