



**H** Husqvarna®



1-10DS, 1-15DS

EN Operator's manual  
ES-MX Manual de usuario  
FR-CA Manuel d'utilisation

2-33  
34-66  
67-99

---

# Contents

---

Introduction.....	2	Troubleshooting.....	26
Safety.....	6	Transportation, storage and disposal.....	27
Operation.....	12	Technical data .....	31
Maintenance.....	22	Noise and vibration emissions.....	31

---

## Introduction

---

### Owner responsibility

---



**WARNING:** Processing of concrete and stone by methods such as cutting, grinding or drilling, especially during dry operation, generates dust that comes from the material being processed, which frequently contains silica. Silica is a basic component of sand, quartz, brick clay, granite and numerous other minerals and rocks. Exposure to excessive amount of such dust can cause:

Respiratory disease (affecting your ability to breathe), including chronic bronchitis, silicosis and pulmonary fibrosis from exposure to silica. These diseases may be fatal;

Skin irritation and rash.

Cancer according to NTP\* and IARC\* \*/ National Toxicology Program, International Agency for Research on Cancer.

Take precautionary steps:

Avoid inhalation of and skin contact with dust, mist and fumes.

Wear and ensure that all bystanders wear appropriate respiratory protection such as dust masks designed to filter out microscopic particles. (See OSHA 29 CFR Part 1926.1153)

To minimize dust emissions use an appropriate dust extractor.

---

It is the owner's/employer's responsibility that the operator has sufficient knowledge about how to use the product safely. Supervisors and operators must have read and understood the Operator's Manual. They must be aware of:

- The product's safety instructions.
- The product's range of applications and limitations.
- How the product is to be used and maintained.

National/Local regulations could restrict the use of this product. Find out what regulations are applicable where you work before you start using the product.

### Product description

The product is a pedestrian-controlled shotblaster operated by electric motors. The product has a blastwheel that throws metal abrasive onto the surface. The product must be connected to a correct dust extractor during operation.

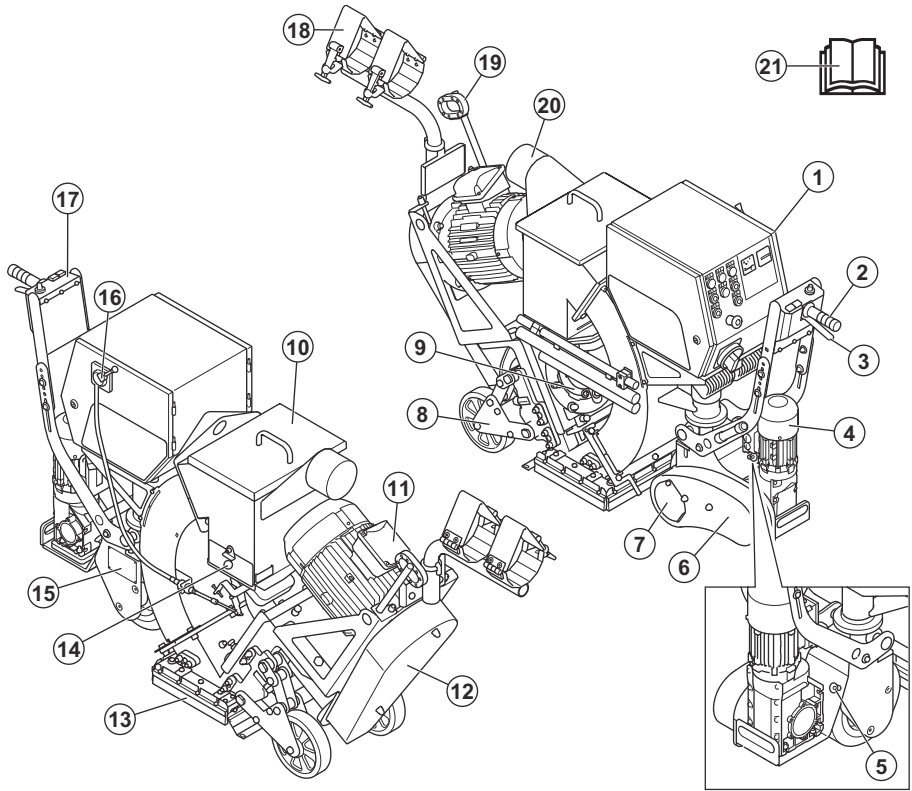
### Intended use

The product is used to remove layers of paint, sealants and contaminations. The product can be used on dry, frost-free horizontal surfaces. For example concrete, asphalt, stone and steel.

The product is used in commercial operations by professional operators.

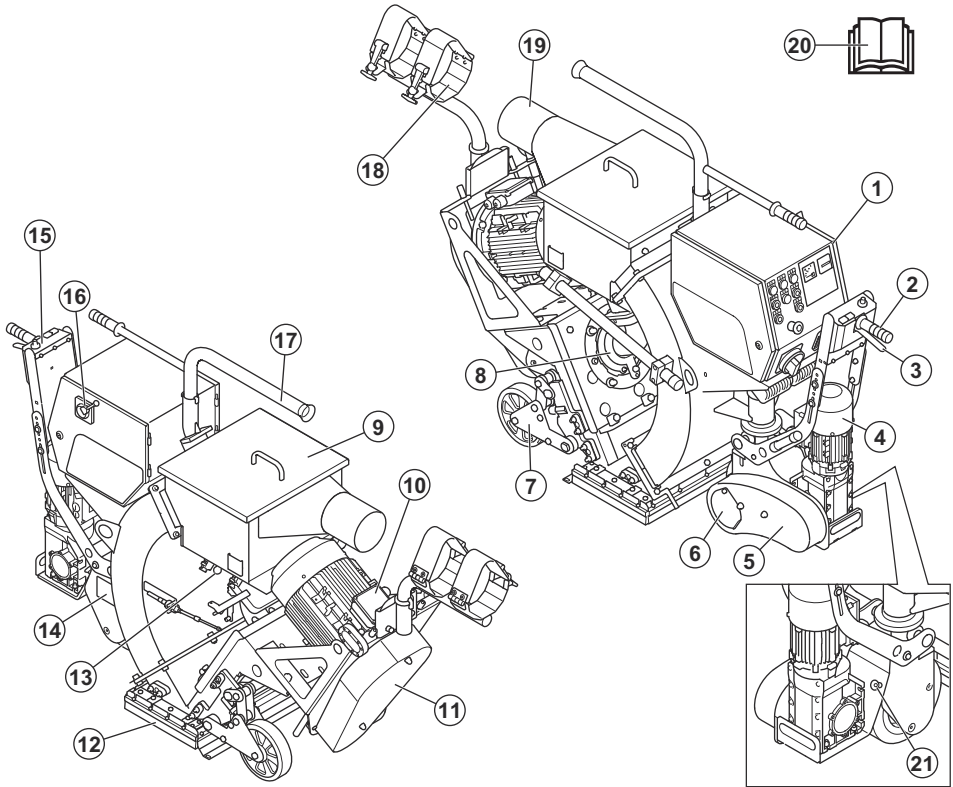
Do not use the product for other tasks.

## Product overview 1-10DS



- |  |  |
|--|--|
| 1. Electrical enclosure. Refer to <i>Electrical enclosure and control panel on page 5.</i> | 12. V-belt cover   |
| 2. Steering handle   | 13. Blasthead with seals   |
| 3. Drive system lever  | 14. Separator tray   |
| 4. Drive system motor  | 15. Type plate   |
| 5. Quick release pin   | 16. Abrasive control lever   |
| 6. Drive system cover  | 17. Control panel. Refer to <i>Electrical enclosure and control panel on page 5.</i> |
| 7. Chain guard   | 18. Dust hose holder   |
| 8. Rear wheels   | 19. Lever of the lift mechanism  |
| 9. Control cage  | 20. Dust extractor connection  |
| 10. Separator cage   | 21. Operator's manual  |
| 11. Blastmotor   |  |

## Product overview 1-15DS

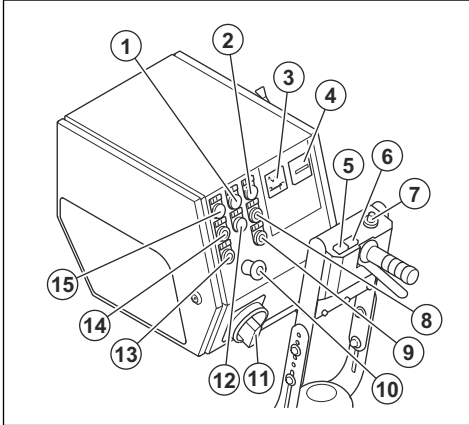


1. Electrical enclosure. Refer to *Electrical enclosure and control panel on page 5.*
2. Steering handle
3. Drive system lever
4. Drive system motor
5. Drive system cover
6. Chain guard
7. Rear wheels
8. Control cage
9. Separator cover
10. Blastmotor
11. V-belt cover
12. Blasthead with seals
13. Separator tray
14. Type plate
15. Control panel. Refer to *Electrical enclosure and control panel on page 5.*
16. Abrasive control lever
17. Cable guide

18. Dust hose holder
19. Dust extractor connection
20. Operator's manual
21. Quick release pin

# Electrical enclosure and control panel

## Electrical enclosure and control panel overview



1. Warning lamp of blastmotor protection/fault in power supply
2. Indicator lamp of blastmotor
3. Ammeter
4. Hour meter
5. Overdrive button
6. Move forward button
7. Speed control dial
8. ON button for the blastmotor
9. OFF button for the blastmotor
10. Emergency stop button
11. ON/OFF switch
12. ON/OFF button for the work lights
13. OFF button for the control panel
14. ON button for the control panel
15. Indicator lamp of the control panel

## Symbols on the product



Warning: This product can be dangerous and cause serious injury or death to the operator or others. Be careful and use the product correctly.



High voltage.



Keep all parts of your body away from hot surfaces.



Lifting point.



Keep hands away from rotating parts.



Read the manual carefully and make sure that you understand the instructions before you use the product.



Use an approved respiratory protection.



Use approved hearing protection.



Use approved eye protection.



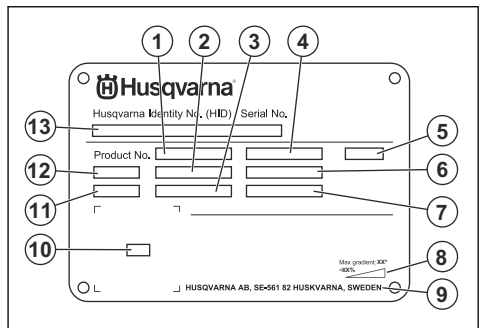
Use approved protective gloves.



Use approved protective boots.

**Note:** Other symbols/decals on the product refer to special certification requirements for some markets.

## Type plate



1. Product number
2. Product weight
3. Rated power
4. Rated voltage
5. Enclosure
6. Rated current
7. Frequency
8. Maximum slope angle
9. Manufacturer
10. Scannable code
11. Production year
12. Model
13. Serial number

## Product liability

As referred to in the product liability laws, we are not liable for damages that our product causes if:

- the product is incorrectly repaired.
- the product is repaired with parts that are not from the manufacturer or not approved by the manufacturer.
- the product has an accessory that is not from the manufacturer or not approved by the manufacturer.
- the product is not repaired at an approved service center or by an approved authority.

---

## Safety

---

### Safety definitions

Warnings, cautions and notes are used to point out specially important parts of the manual.



**WARNING:** Used if there is a risk of injury or death for the operator or bystanders if the instructions in the manual are not obeyed.



**CAUTION:** Used if there is a risk of damage to the product, other materials or the adjacent area if the instructions in the manual are not obeyed.

**Note:** Used to give more information that is necessary in a given situation.

### General safety instructions



**WARNING:** Read the warning instructions that follow before you use the product.

- This product is a dangerous tool if you are not careful or if you use the product incorrectly. This product can cause serious injury or death to the operator or others. Before you use the product, you must read and understand the contents of this operator's manual.
- This product is not intended for use by persons (including children) with reduced physical, sensory or mental capabilities, or lack of experience and knowledge.
- Save all warnings and instructions.
- Comply with all applicable laws and regulations.
- The operator and the employer of the operator must know and prevent the risks during operation of the product.

- Do not let a person operate the product unless they read and understand the contents of the operator's manual.
- Do not operate the product unless you receive training before use. Make sure that all operators receive training.
- Do not let a child operate the product.
- Only let approved persons operate the product.
- The operator is responsible for accidents that occur to other persons or their property.
- Do not use the product if you are tired, ill, or under the influence of alcohol, drugs or medicine.
- Always be careful and use your common sense.
- Keep the product clean. Make sure that you can clearly read signs and decals.
- Do not use the product if it is damaged or does not operate correctly.
- Do not do modifications to this product.
- Do not operate the product if it is possible that other persons have done modifications to the product.

### Safety instructions for operation



**WARNING:** Read the warning instructions that follow before you use the product.

- Use personal protective equipment. Refer to *Personal protective equipment on page 8*.
- Overexposure to vibration can cause circulatory damage or nerve damage to persons with decreased blood circulation. Get medical aid if you have symptoms of overexposure to vibration. These symptoms include numbness, loss of feeling, tingling, pricking, pain, loss of strength, changes in skin color or condition. These symptoms usually show in the fingers, hands or wrists.
- Do not operate the product without all protective covers installed.

- Make sure that you know how to stop the motor quickly in an emergency.
- Before you go away from the product, stop the motor and disconnect the power cord. Make sure that there is no risk of accidental start.
- Make sure that clothing, long hair and jewelry do not get caught in moving parts
- Make sure that you are in a safe and stable position during operation.
- Make sure that there are no loose bolts and nuts.
- Do not lift or tilt the blasthead during operation. Abrasive comes out of the product at high speed and can cause injury. Always disconnect the power plug before you lift or tilt the product.
- Make sure that the separator and separator tray are closed during operation.
- Do not operate the product unless you can get aid if an accident occurs.
- Always use approved accessories. Speak to your Husqvarna dealer for more information.
- If vibrations occur in the product or the noise level from the product is unusually high, stop the product immediately. Disconnect the power plug. Examine the product for damages. Repair damages or let an approved service agent do the repair.
- Always connect the product to a dust extractor for removal of the dust.
- Do not pull the hose of the dust extractor. The product can fall and cause injury or damage.
- Keep the dust extractor on until the motor stops fully.
- Only operate the product from behind with your hand on the handlebar.
- Make sure that there is no grease or oil on the handles.
- Make sure that the the brush list seals are not damaged.
- Make sure that the the brush list seals are installed in the correct height.
- Always use approved abrasive. Speak to your Husqvarna dealer for more information. Refer to *Approved abrasive on page 31*.
- Make sure that the blastmotor has correct direction of rotation. The correct direction of rotation is given with an arrow on the motor housing.

## Vibration safety



**WARNING:** Read the warning instructions that follow before you use the product.

- During operation of the product, vibrations go from the product to the operator. Regular and frequent operation of the product can cause or increase the degree of injuries to the operator. Injuries can occur in fingers, hands, wrists, arms, shoulders, and/or nerves and blood supply or other body parts. The injuries can be debilitating and/or permanent, and

can increase gradually during weeks, months or years. Possible injuries include damage to the blood circulation system, the nervous system, joints, and other body structures.

- Symptoms can occur during operation of the product or at other times. If you have symptoms and continue to operate the product, the symptoms can increase or become permanent. If these or other symptoms occur, get medical aid:
  - Numbness, loss of feeling, tingling, pricking, pain, burning, throbbing, stiffness, clumsiness, loss of strength, changes in skin color or condition.
- Symptoms can increase in cold temperatures. Use warm clothing and keep your hands warm and dry when you operate the product in cold environments.
- Do maintenance on and operate the product as given in the operator's manual, to keep a correct vibration level.
- The product has a vibration damping system that decreases the vibrations from the handles to the operator. Let the product do the work.
- Keep your hands on the handle or handles only. Keep all other body parts away from the product.
- Stop the product immediately if strong vibrations suddenly occurs. Do not continue the operation before the cause of the increased vibrations is removed.

## Dust safety



**WARNING:** Read the warning instructions that follow before you use the product.

- Operation of the product can cause dust in the air. Dust can cause serious injury and permanent health problems. Silica dust is regulated as harmful by several authorities. These are examples of such health problems:
  - The fatal lung diseases chronic bronchitis, silicosis and pulmonary fibrosis
  - Cancer
  - Birth defects
  - Skin inflammation
- Use correct equipment to decrease the quantity of dust and fumes in the air and to decrease dust on work equipment, surfaces, clothing and body parts. Example of controls are dust collection systems. Decrease dust at the source where possible. Make sure that the equipment is correctly installed and used and that regular maintenance is done.
- Use approved respiratory protection. Make sure that the respiratory protection is applicable for the dangerous materials in the work area.
- Make sure that the airflow is sufficient in the work area.

## Noise safety



**WARNING:** Read the warning instructions that follow before you use the product.

- High noise levels and long-term exposure to noise can cause noise-induced hearing loss.
- To keep the noise level to a minimum, do maintenance on and operate the product as given in the operator's manual.
- Use approved hearing protection while you operate the product.
- Listen for warning signals and voices when you use hearing protection. Remove the hearing protection when the product is stopped, unless hearing protection is necessary for the noise level in the work area.

## Personal protective equipment



**WARNING:** Read the warning instructions that follow before you use the product.

- Always use approved personal protective equipment when you operate the product. Personal protective equipment cannot fully prevent injury but it decreases the degree of injury if an accident does occur. Let your dealer help you select the correct personal protective equipment and when to use them.
- Regularly do a check of the condition of the personal protective equipment.
- Use approved hearing protection.
- Use approved respiratory protection.
- Use approved eye protection with side protection.
- Use protective gloves.
- Use boots with steel toe-cap and non-slip sole.
- Use approved work clothing or equivalent close-fitting clothing that has long sleeves and long legs.

## Fire extinguisher

- Keep a fire extinguisher near during operation.
- Use a powder fire extinguisher or a carbon dioxide fire extinguisher.

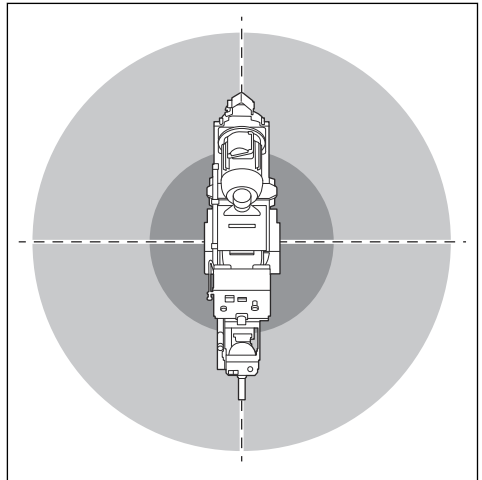
## Work area safety



**WARNING:** Read the warning instructions that follow before you use the product.

- It is the responsibility of the user to analyse the surface to be treated. The user should make a risk assessment on the basis of the information obtained about the surface to be treated and take proper precautions for the work to be performed.

- Do not use the product in fog, rain, strong winds, cold weather, risk of lightning or other bad weather conditions.
- Look out for persons, objects and situations that can prevent safe operation of the product.
- Do not use the product in areas where fire or explosions can occur. The product creates sparks and flammable material can create ignition with the dust or fumes.
- Keep children, bystanders and animals away from the work area and at a safe distance from the product. Safe distance is 10 m/33 ft.



- Make sure that bystanders and animals are not in the work area and at a safe distance from the product.
- Make sure that only approved persons are in the work area.
- Keep the work area clean and fully illuminated. Cluttered or dark areas invite accidents.
- Remove objects such as screws, bolts, wires and stones from the work area before you use the product.
- Make sure that there are no cables or hoses in the operation direction of the product.
- Make sure that uneven surfaces, such as welded seams or floor joints, do not stop the product.
- Make sure that there is sufficient airflow in the work area.

## Electrical safety



**WARNING:** There is always a risk of shocks from electrical products. Do not use the product in bad weather conditions. Do not touch lightning conductors and metal objects. Always use the product as given in this operator's manual to prevent injury.





**WARNING:** Always use a power supply with RCD (residual-current device). An RCD decreases the risk of electrical shock.

---



**WARNING:** High voltage. There are unprotected parts in the power unit. Always disconnect the power plug before you open the door to the electrical box.

---



**WARNING:** Only use the socket outlet on the machine for purposes specified in the instructions.

---



**CAUTION:** The power supply from the product or generator must be sufficient and constant to make sure that the motor operates without problems. Incorrect voltage causes the power consumption and the temperature of the motor to increase until the safety circuit releases. The dimension of the power cord must agree with national and local regulations. The dimension of the mains socket must agree with the amperage for the electrical socket and extension cable of the product.

If the power mains has higher system resistance, short voltage drop can occur when the product is started. This can influence the operation of other products, for example flicker on the lights.

---

- The power plug must match the outlet. Never modify the plug in any way. Do not use any adapter plugs with earthed (grounded) power tools. Unmodified plugs and matching outlets will reduce risk of electric shock.
- Avoid body contact with earthed or grounded surfaces, such as pipes, radiators, ranges and refrigerators. There is an increased risk of electric shock if your body is earthed or grounded.
- Make sure that the power, fuse and mains voltage are the same as the voltage shown on the rating plate of the product.
- Always stop the product before you disconnect the power plug.
- Make sure that the ON/OFF switch is in OFF position before the product is connected to the power supply.
- Always disconnect the power plug during a long product stop.
- Do not use the product if the supply cord or power plug is damaged. If the supply cord is damaged, it must be replaced by the manufacturer, its service agent or similarly qualified persons in order to avoid a hazard. A damaged power cord can cause serious injury and death.

- Use the power cord correctly. Do not use the power cord to move, pull or disconnect the product. Pull the power plug to disconnect the power cord. Do not pull the power cord.
- Only operate the product on dry surfaces.
- Keep the product away from rain. Water that goes into the product increases the risk of electrical shock.
- Always disconnect the power cord before you connect or disconnect the connection for the motor cable and the electrical enclosure.
- In order to avoid a hazard due to inadvertent resetting of the thermal cut-out, this appliance must not be supplied through an external switching device, such as a timer, or connected to a circuit that is regularly switched on and off by the utility.
- Make sure that the power supply for the product is supplied by separate transformers that are used for industrial purpose only.

### Grounded product instructions

---



**WARNING:** Incorrect connection can result in electrical shock. Speak to an approved electrician if you are not sure if your mains outlet is correctly grounded.

Do not do modifications to the power plug from its factory specification. If the power plug or power cord is damaged or must be replaced, speak to your Husqvarna service agent. Obey local regulations and laws.

If you do not fully understand the instructions about the grounded product, speak to an approved electrician.

---

Use only grounded outdoor extension cables with grounding plugs and grounding outlet that accepts the product power plug.

The product has a grounded power cord and power plug. Always connect the product to a grounded mains outlet. This decreases the risk of electrical shock.

Do not use electrical adapters with the product.

### Extension cables

- Use only approved extension cables with applicable properties.
- The rated value on the extension cable must be the same or higher than given on the rating plate of the product.
- Use grounded extension cables.
- When you operate the product outdoors, use an extension cable that is applicable for outdoor operation. This decreases the risk of electrical shock.
- Keep the connection to the extension cable dry and off the ground.

- Keep the extension cable away from heat, oil, sharp edges or moving parts. A damaged cable increases the risk of electrical shock.
- Make sure that the extension cable is in good condition and not damaged.
- Do not use the extension cable while it is wound up. This can cause the extension cable to become too hot.
- Make sure that the extension cable is out of the way and the product during operation. This prevents damage to the extension cable.

## Safety devices on the product



**WARNING:** Read the warning instructions that follow before you use the product.

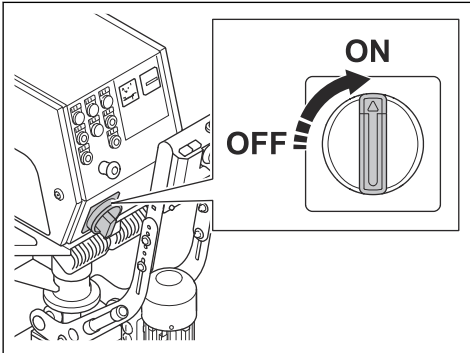
- Do not use the product if the safety devices are not in proper working order.
- Do a check of the safety devices daily. If your safety devices are not in proper working order or are damaged, speak to your Husqvarna service agent.
- Do not make modifications on safety devices

### ON/OFF switch

The ON/OFF switch is used to start and stop the power supply to the product.

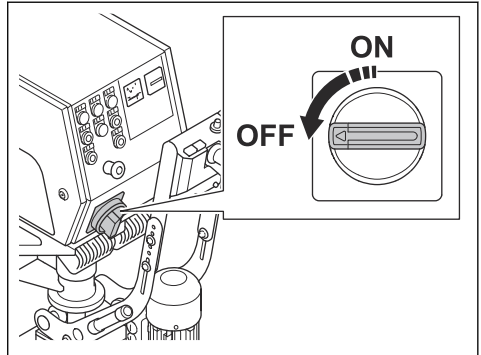
#### To do a check of the ON/OFF switch

1. Turn the emergency stop button clockwise to make sure that it is disengaged.
2. Turn the ON/OFF switch to the ON position.



3. Make sure that the power supply starts.

4. Turn the ON/OFF switch to the OFF position.



5. Make sure that the power supply stops.

### ON/OFF buttons of the control panel

The ON/OFF buttons of the control panel are used to engage and disengage the control panel.

#### To do a check of the ON/OFF buttons of the control panel

Refer to *Electrical enclosure and control panel overview on page 5* for information about where the ON/OFF buttons are on your product.

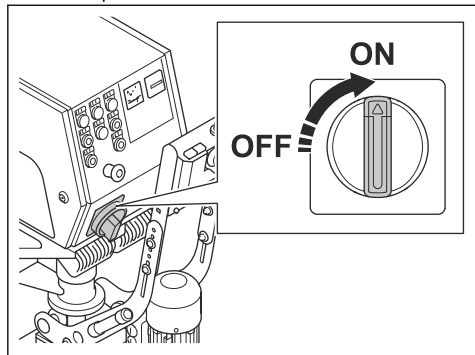
1. Turn the emergency stop button clockwise to make sure that the emergency stop button is disengaged.
2. Turn the ON/OFF switch to ON position.
3. Push the ON button of the control panel.
4. Make sure that the indicator lamp of the control panel comes on.
5. Push the OFF button of the control panel. Make sure that the indicator lamp goes off.
6. Turn the ON/OFF switch to OFF position.

### ON/OFF buttons of the blastmotor

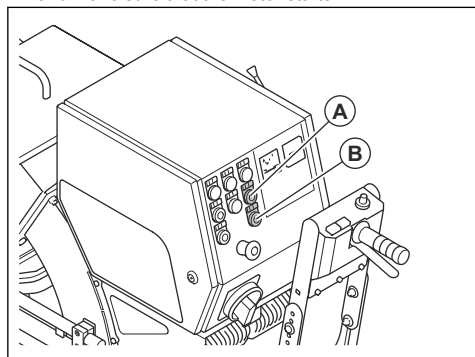
The ON/OFF buttons of the blastmotor are used to start and stop the blastmotor. Refer to *To do a check of the ON/OFF buttons of the blastmotor on page 11*.

### To do a check of the ON/OFF buttons of the blastmotor

1. Set the ON/OFF switch on the electrical enclosure to the ON position.



2. Turn the emergency stop button clockwise to make sure that the emergency stop button is disengaged.
3. Start the control panel.
4. Push the ON button (A) on the electrical enclosure and make sure that the motor starts.



5. Push the OFF button (B) on the electrical enclosure and make sure that the motor stops.

### Ammeter

The ammeter shows the blast load onto the surface. The maximum amperage is shown above the ammeter.

### To do a check of the ammeter

Refer to *Electrical enclosure and control panel overview on page 5* for information about where the ammeter is on your product.

1. Start the product. Refer to *To start the product on page 18*.
2. Wait until the ammeter is in idle position.

3. Stop the product. Refer to *To stop the product on page 21*.

### Emergency stop button

The emergency stop button is used to quickly stop the motors.

### To do a check of the emergency stop button

Refer to *Electrical enclosure and control panel overview on page 5* for information about where the emergency stop button is on your product.

1. Turn the emergency stop button clockwise to make sure that the emergency stop button is disengaged.
2. Start the product. Refer to *To start the product on page 18*.
3. Push the emergency stop button.
4. Make sure that the motor stops.
5. Turn the emergency stop button clockwise to disengage.

### Safety instructions for maintenance



**WARNING:** Read the warning instructions that follow before you use the product.

- Only do the maintenance as given in this operator's manual. Let an approved service agent do all other servicing.
- If the maintenance is not done correctly and regularly, the risk of injury and damage to the product increases.
- Clean the product to remove dangerous material before you do the maintenance.
- Do the maintenance of the product on stable level ground. Make sure that the product cannot move.
- Do not make modifications to the product. Modifications that are not approved by the manufacturer can cause serious injury or death.
- Replace damaged, worn or broken parts.
- Do not use a pressure washer to clean the product.
- Only use lint-free cleaning cloths.
- Always use original accessories and spare parts. Accessories and spare parts that are not approved by the manufacturer, can cause serious injury or death.
- After maintenance, do a check of the vibration level in the product. If it is not correct, speak to an approved service agent.
- Let an approved service agent do servicing on the product regularly.

---

# Operation

---

## Introduction



**WARNING:** Before you operate the product, you must read and understand the safety chapter.

## To do before you operate the product

1. Read the operator's manual carefully and make sure that you understand the instructions.
2. Read the operator's manual for the dust extractor carefully and make sure that you understand the instructions.
3. If the product is operated in connection with a power source, make sure that you read and understand the operator's manual of that power source.
4. Use personal protective equipment. Refer to *Personal protective equipment on page 8*.
5. Make sure that only approved persons are in the work area.
6. Do daily maintenance. Refer to *Maintenance schedule on page 22*.
7. Make sure that the product is assembled correctly and is not damaged.
8. Make sure that all bolts, screws and nuts are tightened.
9. Make sure that the blastwheel, feed spout, liners and sealing are not damaged or worn out. Replace the parts when 75% of the blade thickness has been worn away.
10. Make sure that the separator is not damaged.
11. Make sure that the separator is filled with abrasive up to the separator tray.
12. Put the product on the work area. Make sure that the surface is level. Make sure that the transportation of the product to and in the work area is done safely and correctly. Refer to *Transportation on page 27*.
13. Connect a dust extractor to the product. Refer to *To connect a dust extractor on page 17*.
14. Make sure that the ON/OFF switch is in OFF position before you connect the product to a power supply.
15. Connect the product to a power source. Refer to *To connect the product to a power source on page 18*.
16. Make sure that the height of the brush seals are 1 mm/0.04 in. above the surface.
17. Make sure that the height of the magnetic seals are 8–10 mm/0.3–0.4 in. above the surface.

## Drive system

The drive system is used during operation and allows the product to be moved around with the traction wheel.

Refer to *To move the product with the drive system on page 28*.

Always engage the drive system during operation.

## To engage and disengage the drive system



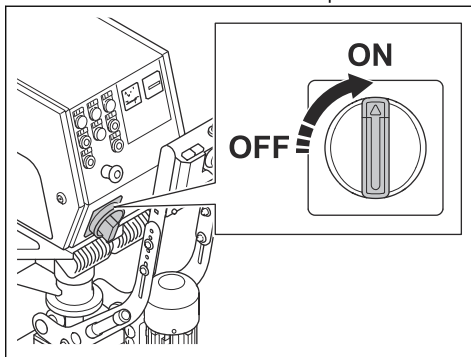
**WARNING:** Keep your hands away from rotating parts. Be very careful when you attach the quick release pin.



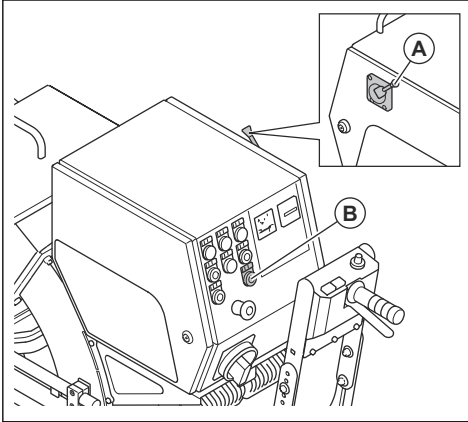
**CAUTION:** Only disengage the drive system when the product is parked on level surface.

If it is necessary to move the product manually with the motor off, the drive system must be disengaged. The drive system is disengaged and engaged by the quick release pin. The quick release pin is found above the traction wheel. Refer to *Product overview 1-10DS on page 3* or *Product overview 1-15DS on page 4*.

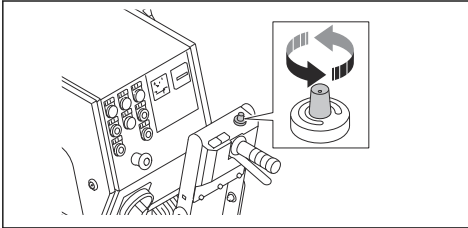
1. Turn the ON/OFF switch to the ON position.



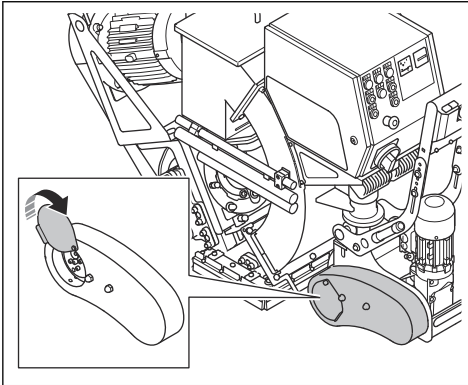
2. Push the abrasive control lever (A) to close the abrasive valve. Push the OFF button (B) to stop the blastmotor.



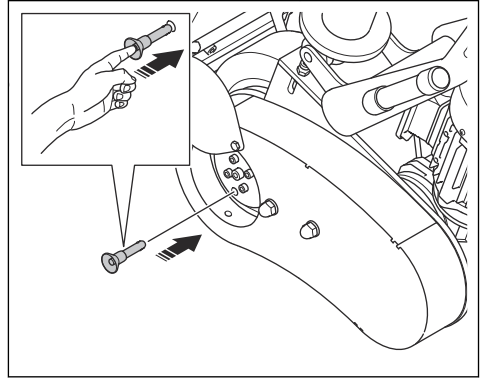
3. Set the movement speed to the lowest possible, approximately 0.5.



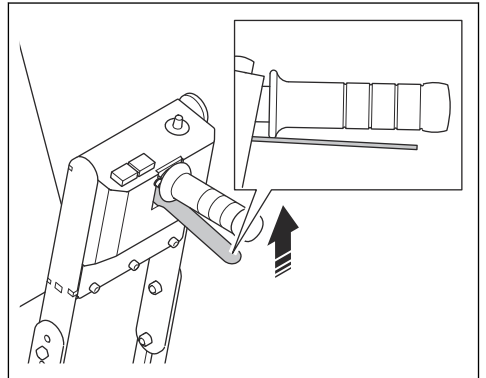
4. Open the drive chain cover.



5. Install the quick release pin. Push and hold the quick release pin with a finger.

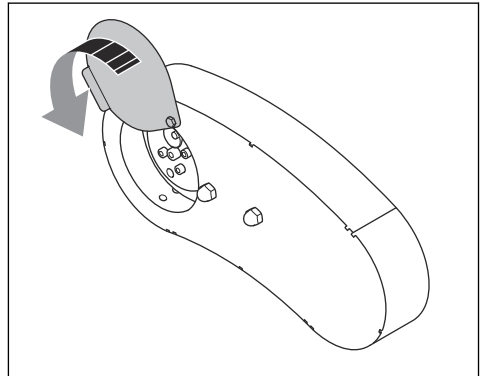


6. Use your other hand to operate the drive system lever.



The quick release pin locks into position when the drive system is engaged.

7. Close the drive chain cover.



8. To disengage the drivesystem, pull out the quick release pin.

## Abrasive valve

The abrasive valve controls the flow of the abrasive shots to the blastwheel. The adjustment of the abrasive valve is shown on the ammeter. Refer to *Ammeter on page 11*.

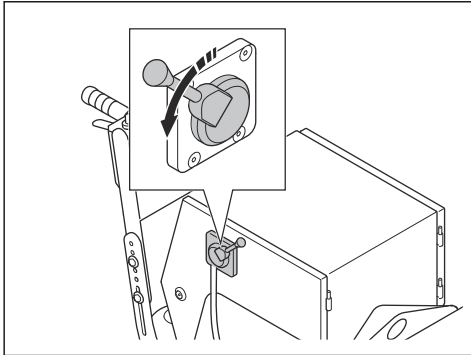
The abrasive valve is adjusted with the abrasive control lever. Refer to *To operate the abrasive valve on page 14*.

### To operate the abrasive valve

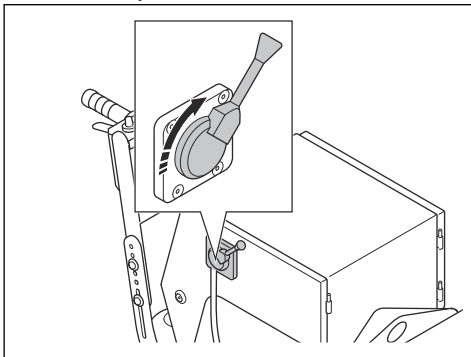


**CAUTION:** Only open the abrasive valve when the blast motor is in operation.

1. Pull the abrasive control lever to open the abrasive valve and adjust the flow of abrasive shots.



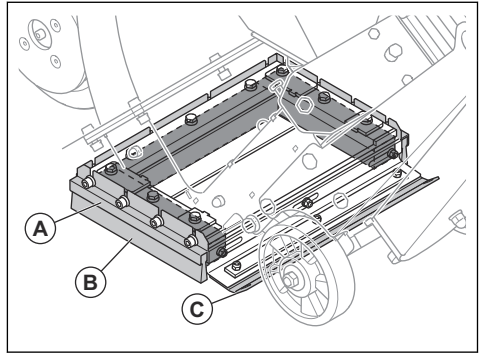
2. Push the abrasive control lever to close the abrasive valve and adjust the flow of the abrasive shots.



## Abrasive seal

The abrasive seal makes sure that the abrasive stays in the product during operation. The abrasive seal has magnetic seals (A) on the sides and in front of the blast housing. Brush lists (B) are attached around the magnetic seals.

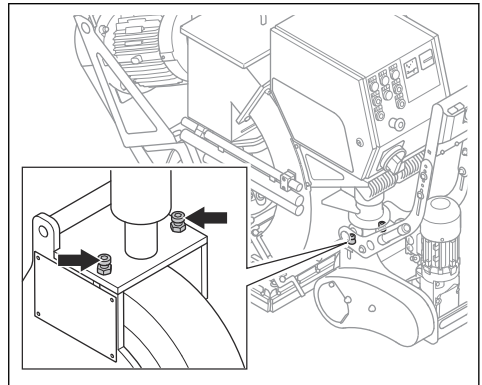
The skid seal (C) moves on the surface.



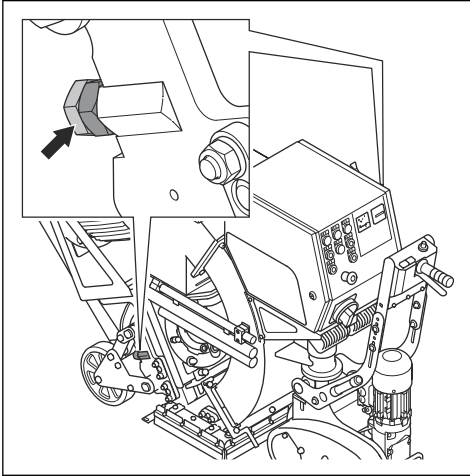
## To adjust the height of the magnetic seals

The correct height adjustment of the magnetic seals is 8-10 mm/0.3-0.4 in. from the surface.

1. Loosen the 2 adjustment screws at the front to set the correct height.



2. Loosen the 2 adjustment screws at the rear to set the correct height.

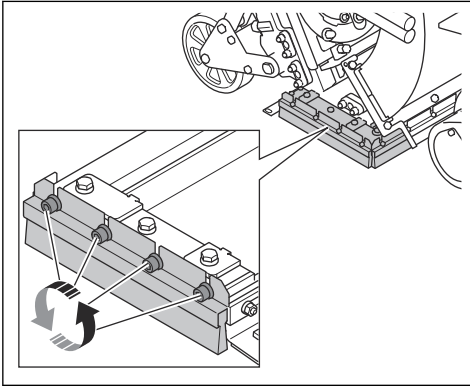


3. Tighten the screws.

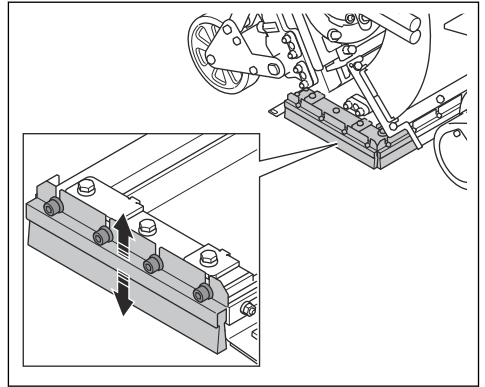
## To adjust the height of the brush list seals

The correct height adjustment of the brush lists is 1 mm/ 0.04 in from the surface.

1. Loosen the 4 screws that holds the brush list.



2. Adjust the height of the brush list.



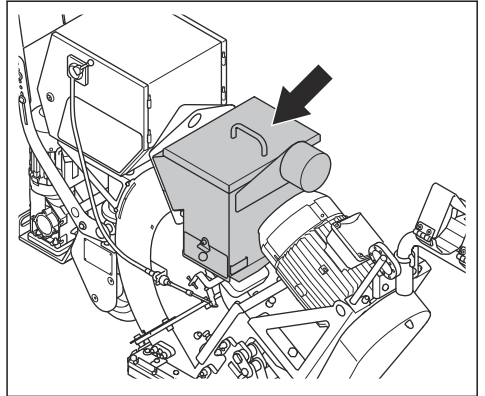
3. Tighten the 4 screws.

## Abrasive

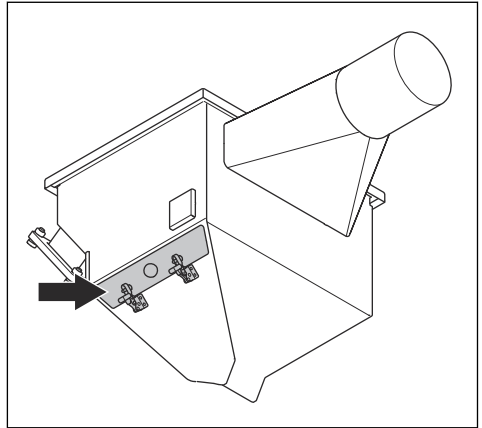
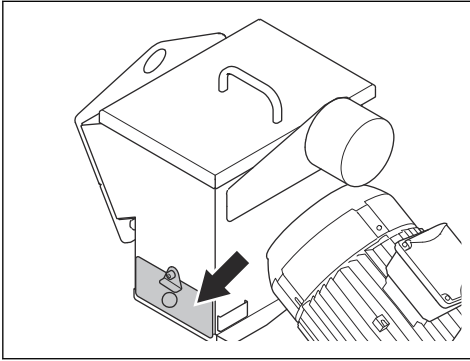
Speak to your Husqvarna dealer for the selection of correct abrasive for your surface operation. Refer to *Approved abrasive* on page 31.

## Abrasive separator 1-10DS

The abrasive separator makes the abrasive free from contamination. The abrasive separator holds the abrasive and supplies the blastwheel with abrasive.

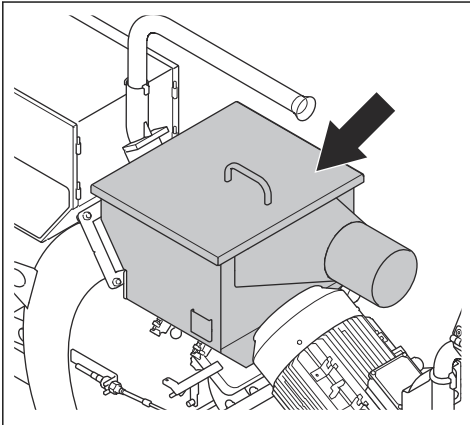


The separator tray keeps contamination away from the abrasive and the blastwheel.



### Abrasive separator 1-15DS

The abrasive separator makes the abrasive free from contamination. The abrasive separator holds the abrasive and supplies the blastwheel with abrasive.



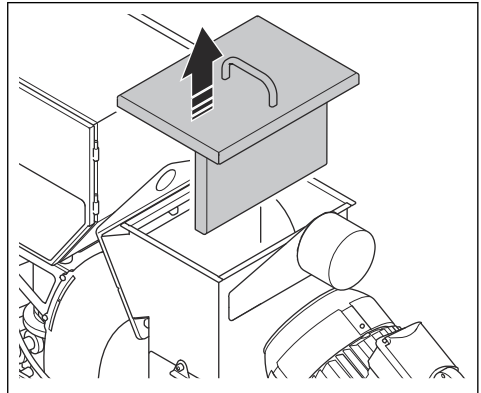
The separator tray keeps contamination away from the abrasive and the blastwheel.

### To fill the product with abrasive 1-10DS



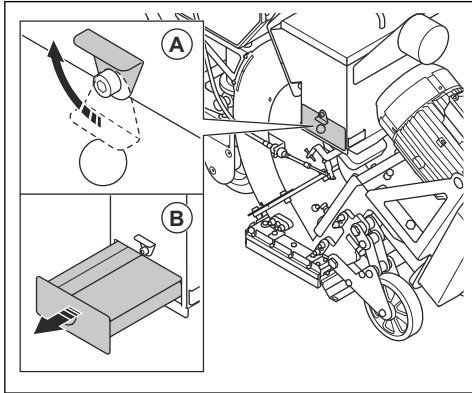
**WARNING:** Always use personal protective equipment during operation. Refer to *Personal protective equipment on page 8.*

1. Make sure that the abrasive valve is closed. Refer to *To operate the abrasive valve on page 14.*
2. Remove the separator cover.





- Open the latch (A) and pull out the separator tray (B).



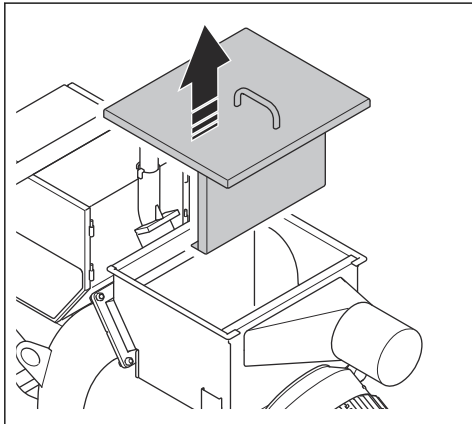
- Remove all contaminations from the separator tray when you fill abrasive or when it is necessary.
- Fill the separator with abrasive up to the separator tray. Fill abrasive when it is necessary.

### To fill the product with abrasive 1-15DS

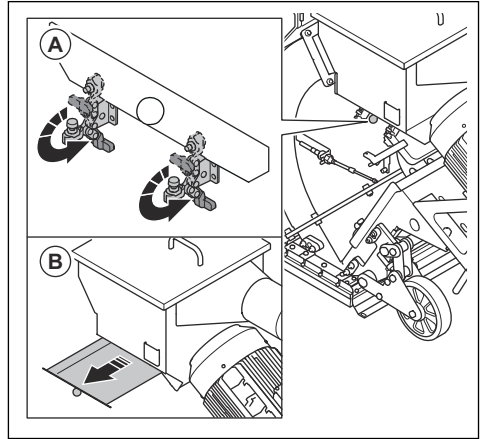


**WARNING:** Always use personal protective equipment during operation. Refer to *Personal protective equipment on page 8.*

- Make sure that the abrasive valve is closed. Refer to *To operate the abrasive valve on page 14.*
- Remove the separator cover.



- Open the 2 clamps (A) and pull out the separator tray (B).



- Remove all contaminations from the separator tray when you fill abrasive or when necessary.
- Fill the separator with abrasive up to the separator tray. Fill abrasive when necessary.

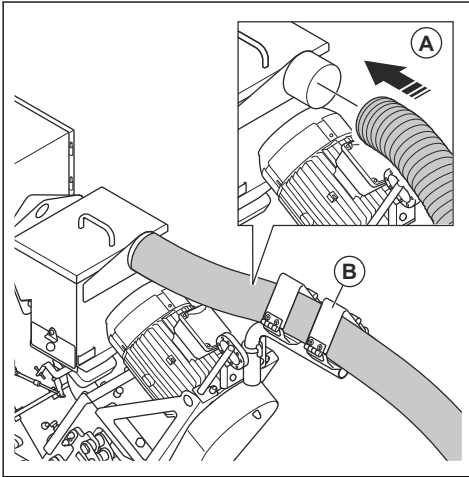
### To connect a dust extractor



**WARNING:** Do not use the dust extractor if the dust extractor hose is damaged. The risk increases that you breathe in dust that is dangerous to your health. Use approved respiratory protection.

- Examine the dust extractor hose for damages.
- Make sure that the filters in the dust extractor are clean and not damaged.

- Attach the dust extractor hose safely to the connection for dust extractor (A). Safety the attached parts with the supplied tool and industrial tape.



- Install the dust extraction hose in the dust hose holder (B).

## To connect the product to a power source

- Connect the power plug of the product to a grounded mains outlet or other power source.
- Make sure that the mains voltage agrees with the type plate on the product.

## Warning lamp of the blastmotors protection and fault power supply

The warning lamp of the blastmotors protection comes on when there is a fault in the power supply. The blastmotors can not start when the lamp is on. Disengage the blastmotors protection to start the blastmotors. Refer to *To disengage the blastmotors protection on page 18*.

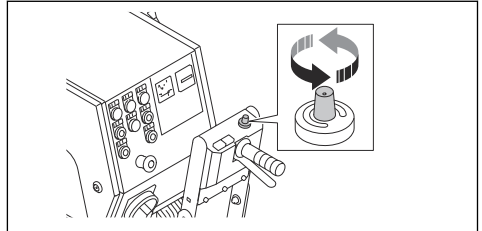
## To disengage the blastmotors protection

- Change the phases position.
- Do a check of the warning lamp of the blastmotors protection. If the light is still on, the power supply is not correct.
- Do a check of motors protection switch in the electrical enclosure.
- Do a check of the warning lamp of the blastmotors protection. If the light is still on, the power supply is not correct.
- Do a check of all phases with a multimeter. Connect the missing phases.

- Start the blastmotors. Refer to *To start the product on page 18*.
- Do a check of the warning lamp of the blastmotors protection. If the light is still on, speak to your Husqvarna service agent.

## To select the correct speed

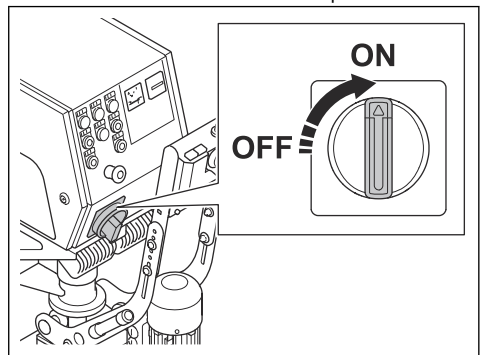
It is important to do the operation with correct drive speed for best result. If the surface has different quality, adjust the drive speed for an equal result. Examine the result and adjust the speed if it is necessary.



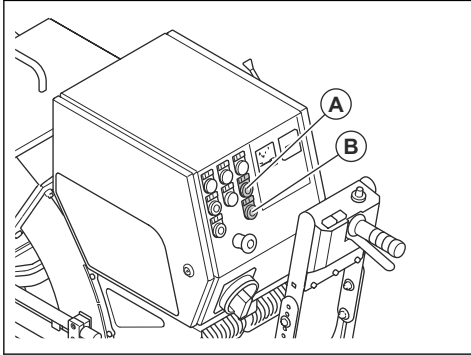
- Turn the speed control dial clockwise to increase the speed.
- Turn the speed control dial counterclockwise to decrease the speed.
  - Use drive speed 6–10 on concrete surfaces for light treatment.
  - Use drive speed 0–5 on concrete surfaces for heavy treatment.
  - Use drive speed 0–2 on steel surfaces.

## To start the product

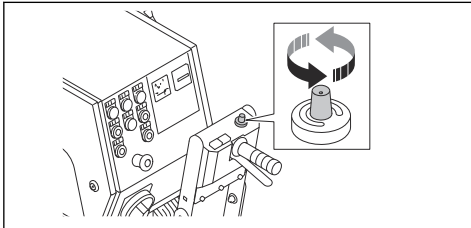
- Connect the product to a power supply. Refer to *To connect the product to a power source on page 18*.
- Start the dust extractor. Refer to the operator's manual of the dust extractor.
- Attach the dust extractor hose to the product. Refer to *To connect a dust extractor on page 17*.
- Make sure that the emergency stop button is disengaged.
- Turn the ON/OFF switch to the ON position.



- Engage the drive system. Refer to *To engage and disengage the drive system on page 12*.
- Start the control panel.
- Push the ON button (A) to start the blastmotor.



- Wait until the ammeter is in idle position.
- Turn the speed control dial to set the drive speed.



## To operate the product



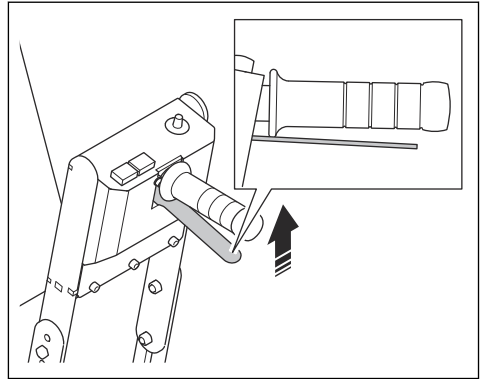
**WARNING:** This product is for rearward operation only. Do not move the product forward during operation.



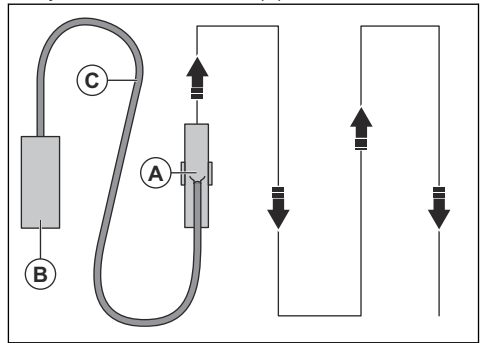
**WARNING:** Do not lift the blasthousing during operation. Abrasive comes out of the product at high speed and can cause injury.

- Make sure that the work area is safe. Refer to *Work area safety on page 8*.
- Fill the abrasive separator with abrasive. Refer to *To fill the product with abrasive 1-10DS on page 16* or *To fill the product with abrasive 1-15DS on page 17*.
- Start the product. Refer to *To start the product on page 18*.
- Engage the drive system. Refer to *To engage and disengage the drive system on page 12*.

- Operate the drive system lever.

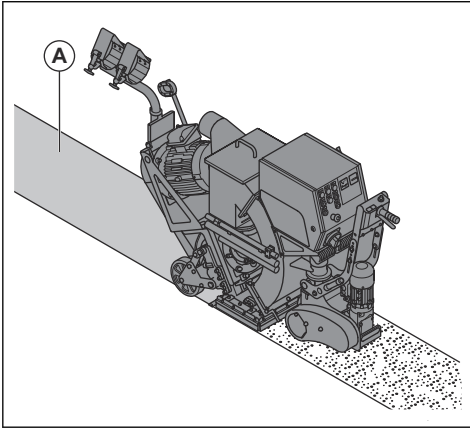


- Pull the abrasive control lever to open the abrasive valve. Refer to *To operate the abrasive valve on page 14*.
- After 2 m/7 ft, close the abrasive valve and stop the product.
- Do a check of the blast pattern. Adjust the blast pattern if necessary. Refer to *To adjust the blast pattern on page 20*.
- Select the correct speed. Refer to *To select the correct speed on page 18*.
- Move the product (A) in parallel tracks. The dust extractor (B) must be connected to the product (A) by the dust extractor hose (C).



## Blast pattern

The blast pattern (A) is the surface that has received treatment.



For a good result the hotspot must be in the center of the blast pattern. If the hotspot is too far to the left or to the right, turn the control cage. Refer to *To adjust the blast pattern on page 20*.

These are the conditions that have effect on the blast pattern:

- The direction of rotation of the blastwheel is correct.
- Increased wear on the blastwheel, impeller and control cage.
- The dimension of the abrasive. The blast pattern must be adjusted when you change dimension.
- The position of the lateral window in the control cage.
- Different types and hardness of the surface.

### To adjust the blast pattern



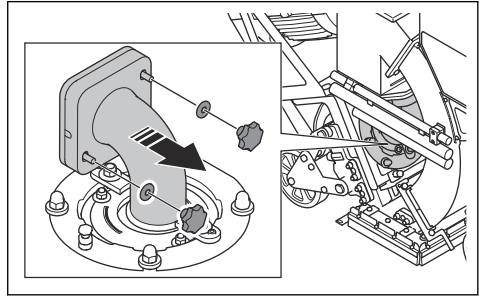
**WARNING:** Do not adjust, loosen or touch the cage clamps, feed spout and blastwheel when the product is on. Disconnect the power supply when you adjust the blast pattern.



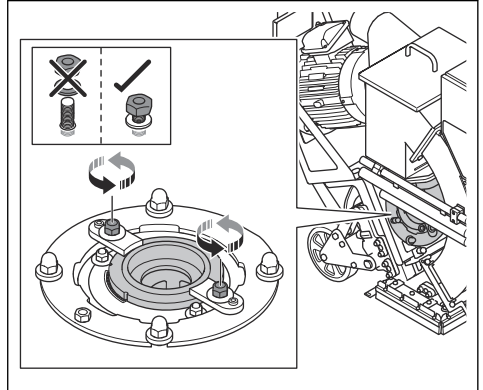
**WARNING:** Use personal protective equipment when you adjust the blastpattern. Refer to *Personal protective equipment on page 8*.

1. Disconnect the power plug.

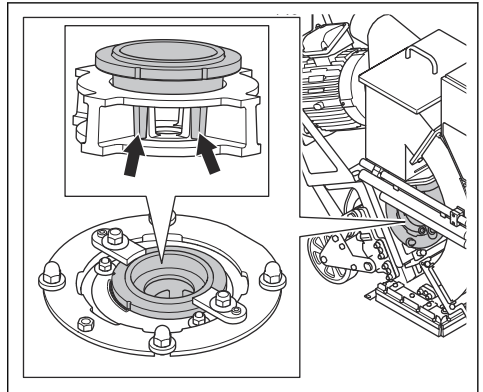
2. Remove the 2 screws, the 2 washers and the feed spout.



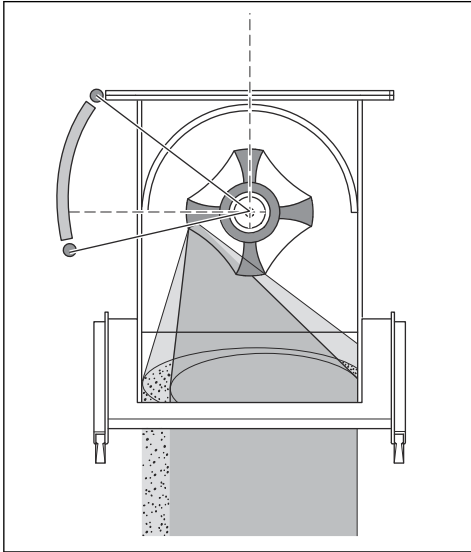
3. Loosen the 2 nuts on the cage clamps.



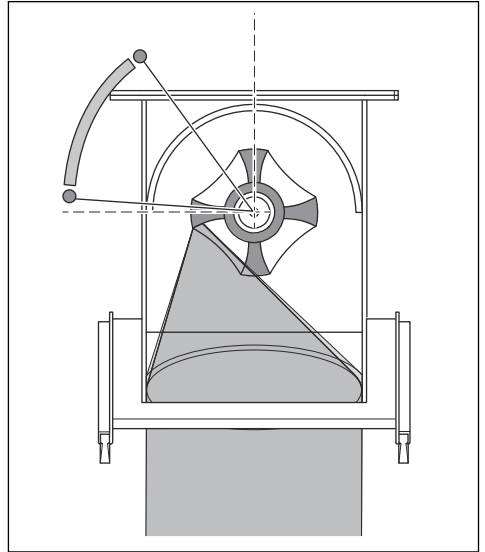
4. Examine the position of the control cage window.



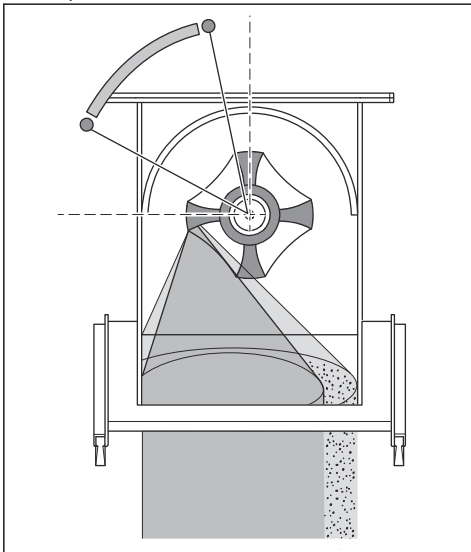
- Turn the control cage (B) clockwise, if the hotspot is too much on the right side.



- Make sure that the hotspot is equally applied on the surface for correct adjustment.



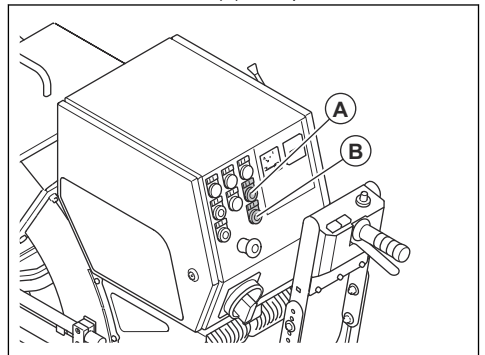
- Turn the control cage (B) counterclockwise, if the hotspot is too much on the left side.



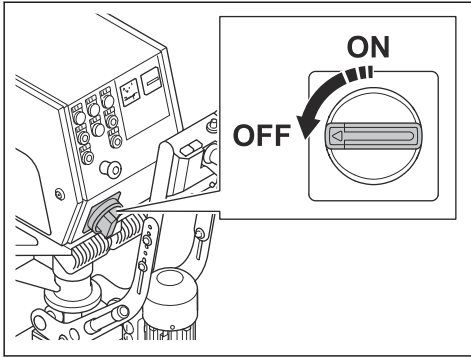
- Tighten the cage clamps when the control cage is in correct position. Rotate the blastwheel with your hand to make sure that the control cage does not touch the blastwheel.
- Install the feed spout, the 2 washers and the 2 screws.

### To stop the product

- Push the abrasive control cable to close the abrasive valve. Refer to *To operate the abrasive valve on page 14.*
- Push the OFF button (B) to stop the blast motor.



3. Turn the ON/OFF switch to OFF position.



4. Disconnect the power plug from the power supply.
5. Stop the dust extractor. Refer to the operator's manual of the dust extractor.

## Maintenance

### Introduction



**WARNING:** Before you do maintenance, you must read and understand the safety chapter.



**WARNING:** Use personal protective equipment when you do servicing and maintenance. Refer to *Personal protective equipment* on page 8.



**WARNING:** Before you do the maintenance, stop the motor and disconnect the power plug from the power supply. Make sure that all drives stop.

For all servicing and repair work on the product, special training is necessary. We guarantee the availability of professional repairs and servicing. If your dealer is not a service agent, speak to them for information about the nearest service agent.

For more detailed information, refer to [www.husqvarnaconstruction.com](http://www.husqvarnaconstruction.com).

### Maintenance schedule

\* = General maintenance done by the operator. The instructions are not given in this operator's manual.

X = The instructions are given in this operator's manual.

O = The instructions are not given in this operator's manual. Let an approved service agent do the maintenance.

General product maintenance	Each 3 h	Daily	12 h after service	Each 3 months	Yearly
Make sure that nuts and screws are tight.		*	*		
Make sure that the power plug and extension cable are in good condition and not damaged.		*			
Do a check of the electrical components, the cables and the connections for wear and damages.		*			
Do a check of the RCD.		*			
Examine the electric motor for dirt and damage.		*			

General product maintenance	Each 3 h	Daily	12 h after service	Each 3 months	Yearly
Make sure that the dust extractor hose is not damaged and that there is no blockage.		*			
Empty the dust extractor.	*				
Do a check of the of the abrasive separator, the separator tray and the feedspout.	X				
Clean the product.		X			
Do a check of all safety devices.		X			
Do a check of the brush seal and magnetic seal for wear.		X			
Do a check of the control cage, blastwheel and liners for wear. Refer to <i>To do before you operate the product on page 12.</i>		X			
Do a check of the drive belt tension.		X		X	
Do a check of the drive chain tension of the drive system.				X	
Clean the drive chain of the drive system.				X	
Do a complete servicing and cleaning of the product.					O

## To clean the product

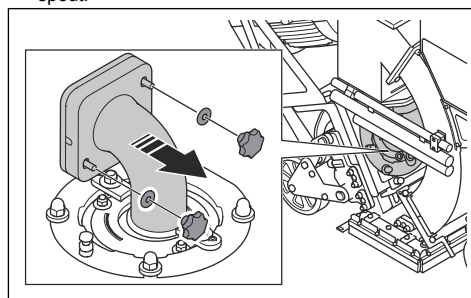
- Always clean all the equipment after use. Use a vacuum cleaner.
- Do not use a high-pressure washer to clean the product.
- Keep the air openings clean and clear to make sure that the product always has sufficiently cool temperature.

## To clean the chain of the drive system

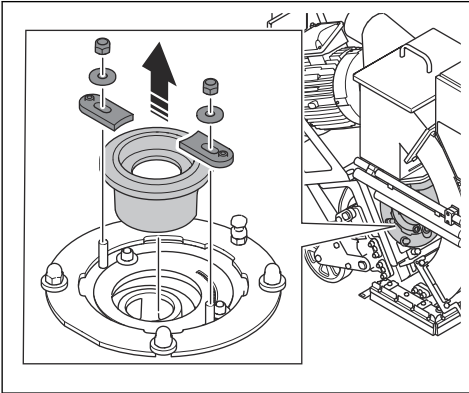
1. Remove dirt on the outer surface of the chain with a hard brush or wire brush.
2. Clean the chain with cleaning agent.
3. Remove dirt from internal parts of the chain.

## To remove and install the control cage

1. Remove the 2 screws, the 2 washers and the feed spout.



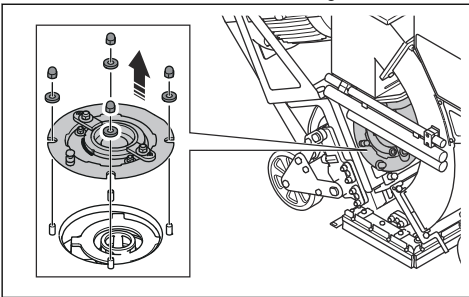
- Remove the 2 nuts, the 2 washers, the 2 cage clamps and the control cage.



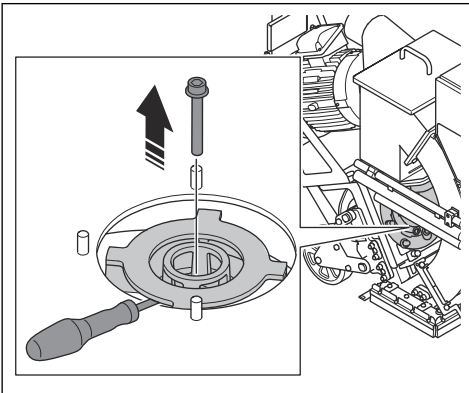
- Install in the opposite sequence.

### To replace the blastwheel

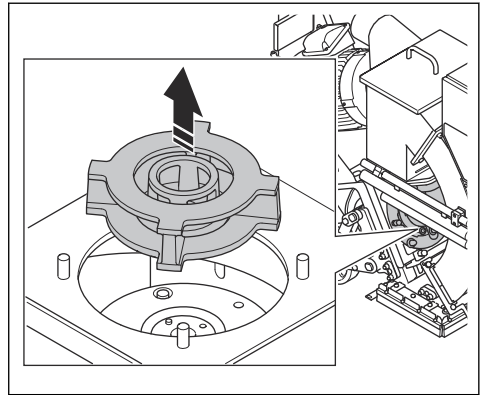
- Remove the 4 nuts, the 4 washers and the blastwheel cover with the control cage.



- Put an applicable tool in the blastwheel to prevent rotation. Remove the bolt and discard it.



- Remove the blastwheel.



- Install the new blastwheel in the opposite sequence.



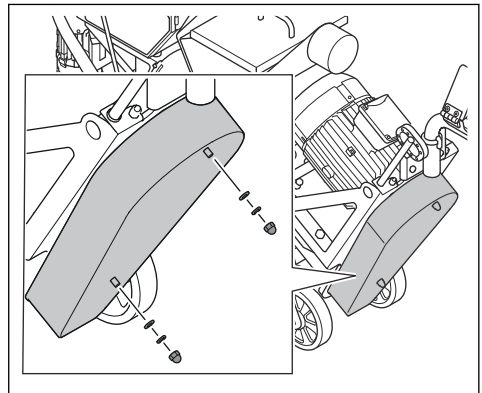
**CAUTION:** Always use a new bolt when you install a new blastwheel.

### To do a check of the V-belt tension



**WARNING:** Do not operate the product without the V-belt cover installed.

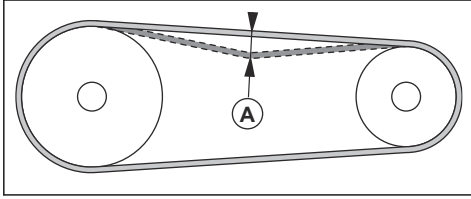
- Stop the product. Refer to *To stop the product on page 21*.
- Remove the 2 nuts, the 4 washers and the V-belt cover.



- Examine the V-belts for damages and wear. Replace the V-belts if it is necessary.



4. Push the V-belts with your thumb to examine the tension. If you can push the V-belts a distance of 10–15 mm/0.4–0.6 in. (A), the tension is correct.



5. If the V-belts tension is not sufficient, increase the distance between the blastmotor and the bearing.
6. Install the V-belt cover.

## To replace the V-belt



**WARNING:** Only remove the V-belt cover when the power supply is disconnected and the blastmotor has fully stopped.



**WARNING:** Do not operate the product without the V-belt cover installed.

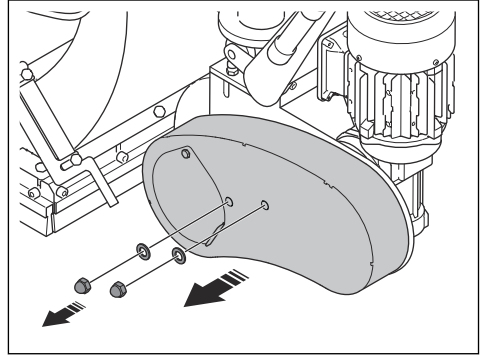
1. Remove the V-belt cover. Refer to *To do a check of the V-belt tension on page 24*.
2. Reduce the distance between the blastmotor and the bearing to release the tension of the V-belt.
3. Remove the old V-belt and install the new V-belt.
4. Increase the distance between the blastmotor and the bearing to apply tension to the V-belt. Refer to *To do a check of the V-belt tension on page 24*.
5. Attach the V-belt cover.

## To do a check of the chain tension of the drive system

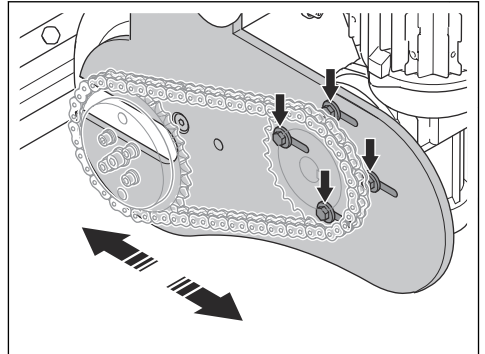


**WARNING:** Do not operate the product without the chain cover installed.

1. Stop the product. Refer to *To stop the product on page 21*.
2. Remove the chain cover.



3. Push the chain to examine the tension. If you can push the chain a distance of 5 mm/0.2 in., the tension is correct.
4. Loosen the nuts.



5. Move the chain wheel to adjust the tension.
6. Tighten the nuts.
7. Install the chain cover.

## Troubleshooting

Problem	Cause	Solution
Too much vibration and/or unusual noises.	The blastwheel is worn or damaged.	Replace the parts that are worn or damaged.
	Incorrect alignment of the blastwheel and control cage.	Adjust the alignment of blastwheel and control cage.
	There are loose screws and nuts.	Tighten all screws and nuts.
	Incorrect tension of the V-belt.	Do a check of the V-belt tension. Refer to <i>To do a check of the chain tension of the drive system on page 25.</i>
	The motor is damaged.	Replace the motor. Speak to an approved Husqvarna service agent.
	The wheels are damaged.	Replace the wheels.
Decreased or no performance.	The supply of abrasive to the blastwheel is not sufficient.	Clean the separator tray and refill the abrasive separator with abrasive.
		Do a check of the feed spout and the abrasive valve.
	The type of abrasive is incorrect for the surface.	Replace the abrasive with correct abrasive for the surface.
	The abrasive has contamination.	Do a check of the dust extractor and dust extractor hose.
	The blastwheel or the control cage is worn or damaged.	Replace the blastwheel and/or the control cage.
	Too much abrasive hits the surface at the start of the operation.	Close the abrasive valve and stop the product. Start the operation again and slowly open the abrasive valve.
	The drive speed of the product is too high.	Decrease the drive speed.
Abrasive leaves the product.	The magnetic seals are at an incorrect distance from the surface.	Adjust the height of the magnetic seals.
	Damaged seals.	Do a check of all the seals and replace if necessary.
	The quality of abrasive is not satisfactory.	Speak to your dealer for more information.
The wear is more than usual on parts of the blasthousing.	Incorrect abrasive.	Speak to your dealer for more information.
	The control cage is not installed correctly.	Adjust the control cage to set a better blast pattern.
	Dust extractor does not give enough suction power.	Do a check of the dust extractor hose and the dust extractor.
The product does not move.	The drive speed is too low.	Increase the drive speed.
	The blasthead gets caught on the floor.	Adjust the height.
	The drive system is damaged or not connected.	Engage the drive system. Do a check of the drive chain.

Problem	Cause	Solution
The motor does not start.	A phase of the power supply is missing.	Do a check of the power supply.
	A phase of the power supply is incorrect.	Adjust the phase.
	The emergency stop button is engaged.	Turn the emergency stop button clockwise to disengage.
	There is no power in the drive system.	Start the drive system, then start the blast motor.
	The motor protection switch is engaged.	Start the product again. Do a check of the power supply.
	The extension cable is disconnected or damaged.	Connect the extension cable or if it is necessary, replace the extension cable.
	A component is damaged.	Speak to an approved Husqvarna service agent.
The product stops after a while.	The motor protection switch releases because of overload.	Speak to an approved Husqvarna service agent.
	The motor has a damage.	Do a check of the motor.
	A safety fuse or a fault current breaker is on.	Speak to an approved Husqvarna service agent.
	Cables are damaged.	Do a check of the cable and replace if necessary.
The drive system does not operate correctly.	The drive system is not engaged.	Install the quick release pin.
	Safety fuse or the drive system motor is damaged.	Speak to an approved Husqvarna service agent.
	The control panel is damaged.	Speak to an approved Husqvarna service agent.
	The potentiometer is damaged.	Speak to an approved Husqvarna service agent.

## Transportation, storage and disposal

### Transportation



**WARNING:** Be careful during transportation. The product is heavy and can cause injury or damage if it falls or moves during transportation.



**CAUTION:** Do not tow the product behind a vehicle.

- Remove the abrasive before transportation.
  - The wheels let you move the product shorter distances. For longer distances, lift the product to move it or put the product on a vehicle.
  - Put some type of protection on the product during transportation. The protection keeps natural elements such as rain and snow away from the product.
  - Engage the drive system during transportation. Refer to *To engage and disengage the drive system on page 12*.
- Make sure that the power supply is disconnected before transportation.
  - Make sure that the electrical cable and dust extractor hose are disconnected before transportation.

## To set the product in transport position

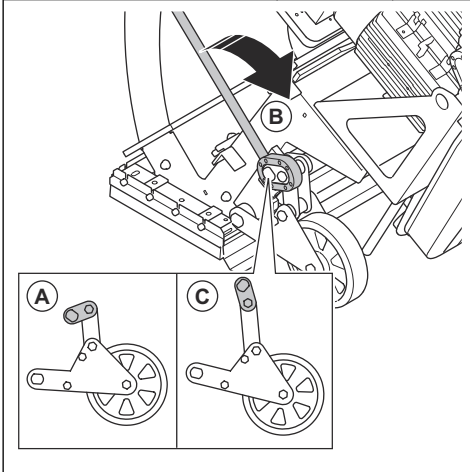


**WARNING:** Make sure that the product is on a horizontal surface before you lift or lower the product.



**WARNING:** Do not lift the product until the blastwheels have fully stopped.

1. Attach the lever to the lift mechanism (A).



2. Lift (B) the lever to transportation position (C).

## To move the product manually



**WARNING:** Wait until all moving parts are stationary before you move the product.



**WARNING:** Use protective boots with steel toe-cap and non-slip sole.



**WARNING:** Do not move the product up and down ramps manually with the drive system disengaged. Only move the product manually on level ground.

1. Disengage the drive system. Refer to *To engage and disengage the drive system on page 12*.
2. Push the handle downwards.
3. Push or pull the product by the handle.
4. Engage the drive system. Refer to *To do before you operate the product on page 12*. With the motor off, this has the function of a parking brake and prevents accidental movement of the product.

## To move the product with the drive system



**WARNING:** The product is heavy and there is a risk of injury if the product falls. Be careful when you move around the product.



**WARNING:** Do not lift the product off the ground during operation.

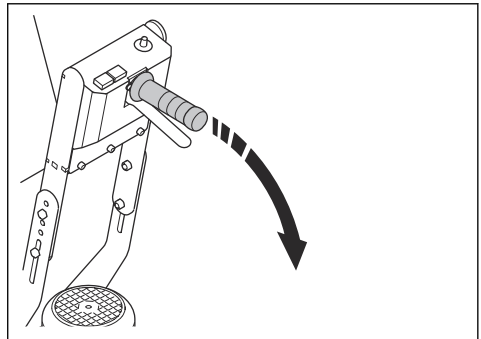


**WARNING:** Do not move the product forward during operation.

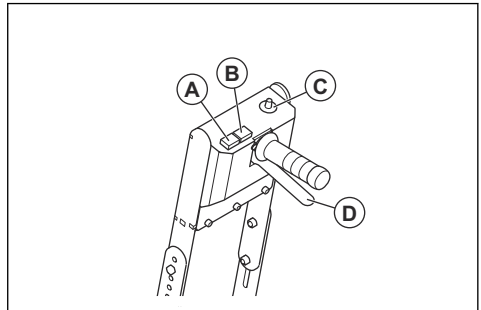


**WARNING:** Use protective boots with steel toe-cap and non-slip sole.

1. Engage the drive system. Refer to *To engage and disengage the drive system on page 12*.
2. Pull down the handle to lift the product from the surface.



3. Set and adjust the movement speed with the speed control dial (C).



4. Push and hold the drive system lever (D) to move the product rearward.

5. Push and hold the overdrive button (A) to move at maximum speed.
6. Push and hold the forward button (B) to move the product forward.

## To move the product up and down a ramp



**WARNING:** Be very careful when you move the product up and down ramps. The product is heavy and there is a risk of injury if the product falls or moves too quickly.



**WARNING:** For ramps with a steep slope, always use a winch. Do not walk or stay below or near the product.

- To move the product down a ramp, operate the product forward slowly.
- To move the product up a ramp, operate the product rearward slowly.
- Do not turn the product to the left or to the right more than 45° on a ramp.

## To lift the product 1-10DS



**WARNING:** Make sure that the lifting equipment has the correct specification to lift the product safely. The type plate on the product shows the product weight.

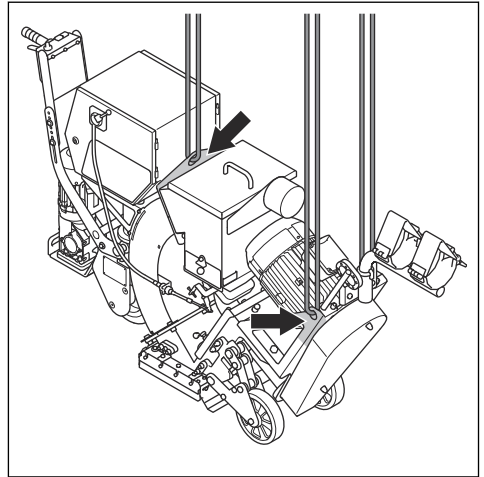


**WARNING:** Do not walk or stay below or near a lifted product. Keep bystanders away from the work area.



**WARNING:** Do not lift a damaged product. Make sure that the lifting eye is correctly installed and not damaged.

1. Attach the lifting equipment at the lifting eyes.



2. Lift the product safely. Hold the handle until the product is lifted off the ground.

## To lift the product 1-15DS



**WARNING:** Make sure that the lifting equipment has the correct specification to lift the product safely. The type plate on the product shows the product weight.

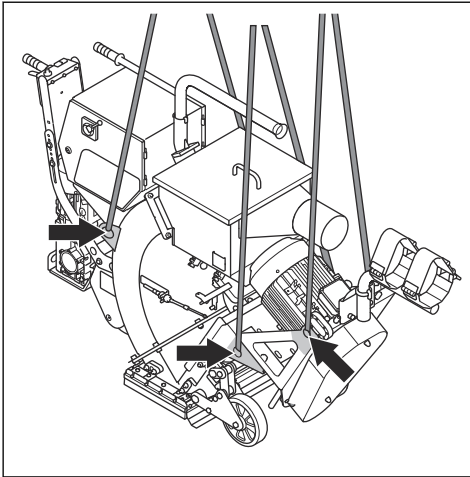


**WARNING:** Do not walk or stay below or near a lifted product. Keep bystanders away from the work area.



**WARNING:** Do not lift a damaged product. Make sure that the lifting eye is correctly installed and not damaged.

1. Attach the lifting equipment at the lifting eyes.



2. Lift the product safely. Hold the handle until the product is lifted off the ground.

## To attach the product to a transportation vehicle

Use the lifting eyes to attach the product to the transportation vehicle.

1. Attach the tie-down straps in the lifting eyes.
2. Attach and tighten the tie-down straps to the transportation vehicle.

## Storage



**CAUTION:** Do not put the product in storage outdoors. Always keep the product indoors.

- Keep the product in a dry and frost-free area.
- Clean the product and do a complete servicing before you put the product in storage.
- Keep the product in a locked area to prevent access for children or persons that are not approved.
- Remove abrasive from the abrasive separator.

## Disposal of the product

- Obey the local recycling requirements and applicable regulations.
- When the product no longer is used, send it to a Husqvarna dealer or discard it at a recycling location.

## Technical data

	1-10DS		1-15DS	
Rated power, W	11745		15660	
Rated voltage, V	480/277	240	480/277	240
Frequency, Hz	60			
Rated current, A	19	38	26	52
Maximum cleaning gradeability, deg/%	8/14		10/18	
Weight, kg/lb	325/717		476/1050	
Product dimensions, mm/in	1900x42x1050/75x16.5x41		1940x557x1120/76x22x44	
Power cable type	AWG6			
Cable length m/ft	20/65			

**Note:** If your product requires an electrical specification that is not in the table, speak to a Husqvarna service agent for more information.

## Noise and vibration emissions

	1-10DS	1-15DS
<b>Noise emission</b>		
Sound power level, measured LWA dB (A) <sup>1</sup>	99	99
Sound pressure level at the operator's ear, LP dB (A) <sup>2</sup>	85	85
<b>Vibration levels</b>		
Main handle, m/s <sup>23</sup>	1.3	1.3
<sup>1</sup> Sound power level determined according to EN ISO 3747. Measured on concrete surface. Uncertainty Kwa 2.5 dB <sup>2</sup> Sound pressure level determined according to EN ISO 11202. Measured on concrete surface. Uncertainty Kpa 2.5 dB <sup>3</sup> Weighted effective acceleration measured at the handle according to EN ISO 20643. Measured on concrete surface. Uncertainty K 0.5 m/s <sup>2</sup>		

## Approved abrasive

	High carbon steel shot			High carbon steel grit
Approved abrasive	S-330	S-390	S-460*	SG25*
in./mm	0.04/1.0	0.05/1.2	0.06/1.4	0.04/1.0

	<b>High carbon steel shot</b>	<b>High carbon steel grit</b>
*special operations		

## Extension cables

Cable length	Cross section @240V Cable SOOW (600V)			
	≤ 15 A	≤ 30 A	≤ 60 A	≤ 100 A
Calculated at a pre-fuse GG <sup>1</sup> :	15 amp	30 amp	60 amp	100 amp
> 20 m/66 ft	AWG12	AWG8	AWG4	AWG2
20 m/66 ft > 50 m/146 ft	AWG10	AWG8	AWG4	AWG2
50 m/164 ft > 75 m/246 ft	AWG8	AWG6	AWG2	AWG2
<sup>1</sup> The cross sections must be re-calculated when other type or dimension pre-fuse are used than is given.				

## Extension cables

Cable length	Cross section @480V Cable SOOW (600V)			
	≤ 15 A	≤ 30 A	≤ 60 A	≤ 100 A
Calculated at a pre-fuse GG <sup>1</sup> :	15 amp	30 amp	60 amp	100 amp
> 20 m/66 ft	AWG14	AWG8	AWG4	AWG2
20 m/66 ft > 50 m/164 ft	AWG12	AWG8	AWG4	AWG2
50 m/164 ft > 75 m/246 ft	AWG12	AWG8	AWG4	AWG2
<sup>1</sup> The cross sections must be re-calculated when other type or dimension pre-fuse are used than is given.				

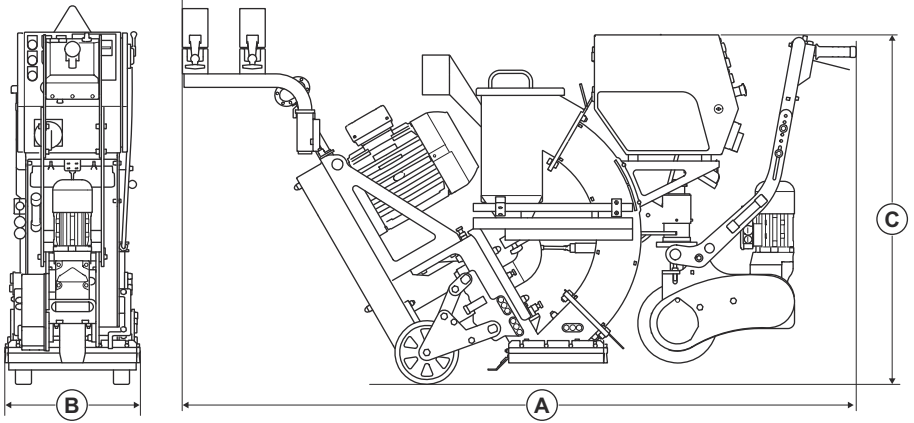
## Noise and vibration declaration statement

These declared values were obtained by laboratory type testing in accordance with the stated directive or standards and are suitable for comparison with the declared values of other products tested in accordance with the same directive or standards. These declared

values are not suitable for use in risk assessments and values measured in individual work places may be higher. The actual exposure values and risk of harm experienced by an individual user are unique and depend upon the way the user works, in what material the product is used, as well as upon the exposure time and the physical condition of the user, and the condition of the product.



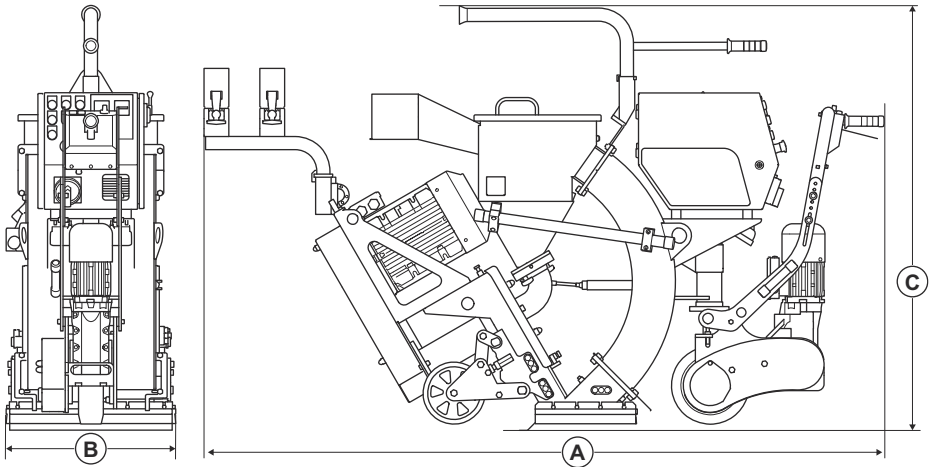
## Product dimensions 1-10DS



<b>A</b>	Length, mm/in.	1900/75
<b>B</b>	Width, mm/in.	420/16.5

<b>C</b>	Height, mm/in.	1050/41
----------	----------------	---------

## Product dimensions 1-15DS



<b>A</b>	Length, mm/in.	1940/76
<b>B</b>	Width, mm/in.	557/22

<b>C</b>	Height, mm/in.	1120/44
----------	----------------	---------

---

# Contenido

---

Introducción.....	34	Solución de problemas.....	59
Seguridad.....	38	Transporte, almacenamiento y eliminación de residuos.....	60
Funcionamiento.....	44	Datos técnicos .....	64
Mantenimiento.....	55	Emisiones de ruido y vibración.....	64

---

## Introducción

---

### Responsabilidad del propietario



**ADVERTENCIA:** El procesamiento de hormigón y piedra mediante métodos como corte, amolado o perforación, especialmente en operaciones en seco, genera polvo que proviene del material procesado y a menudo contiene sílice. La sílice es un componente básico de la arena, el cuarzo, la arcilla de los ladrillos, el granito y otros numerosos minerales y rocas. La exposición a una cantidad excesiva de polvo de sílice puede causar las siguientes afecciones:

Enfermedades respiratorias (que afectan la capacidad de respirar), incluidas la bronquitis crónica, la silicosis y la fibrosis pulmonar debido a la exposición a la sílice. Estas enfermedades pueden ser mortales.

Irritación cutánea y sarpullido.

Cáncer, según el NTP\* y la IARC\* \*/National Toxicology Program (Programa Nacional de Toxicología) y Centro Internacional de Investigaciones sobre el Cáncer.

Tome medidas preventivas:

Evite inhalar y que su piel entre en contacto con el polvo, el vaho y los gases.

Utilice artículos apropiados para la protección respiratoria como máscaras contra polvo diseñadas para filtrar partículas microscópicas, y asegúrese de que todas las personas que se encuentren cerca también lo hagan. (Consulte la normativa OSHA 29 CFR Parte 1926.1153)

Para minimizar las emisiones de polvo, utilice un extractor de polvo adecuado.

Es responsabilidad del propietario o del empleador que el operador posea los conocimientos necesarios sobre cómo utilizar el producto de manera segura. Los supervisores y operadores deben haber leído y comprendido el manual de usuario. Deben tener conocimiento de lo siguiente:

- Las instrucciones de seguridad del producto.
- La gama de aplicaciones y limitaciones del producto.
- Cómo el producto se va a utilizar y mantener.

El uso de este producto se podría ver restringido por las normativas nacionales o locales. Antes de comenzar a utilizar el producto, infórmese sobre qué normativas se aplican en el lugar donde trabaja.

### Descripción del producto

El producto es una granalladora motocultora operada por motores eléctricos. El producto tiene una rueda esparcidora que lanza abrasivo metálico a la superficie. El producto debe estar conectado a un extractor de polvo correcto durante la operación.

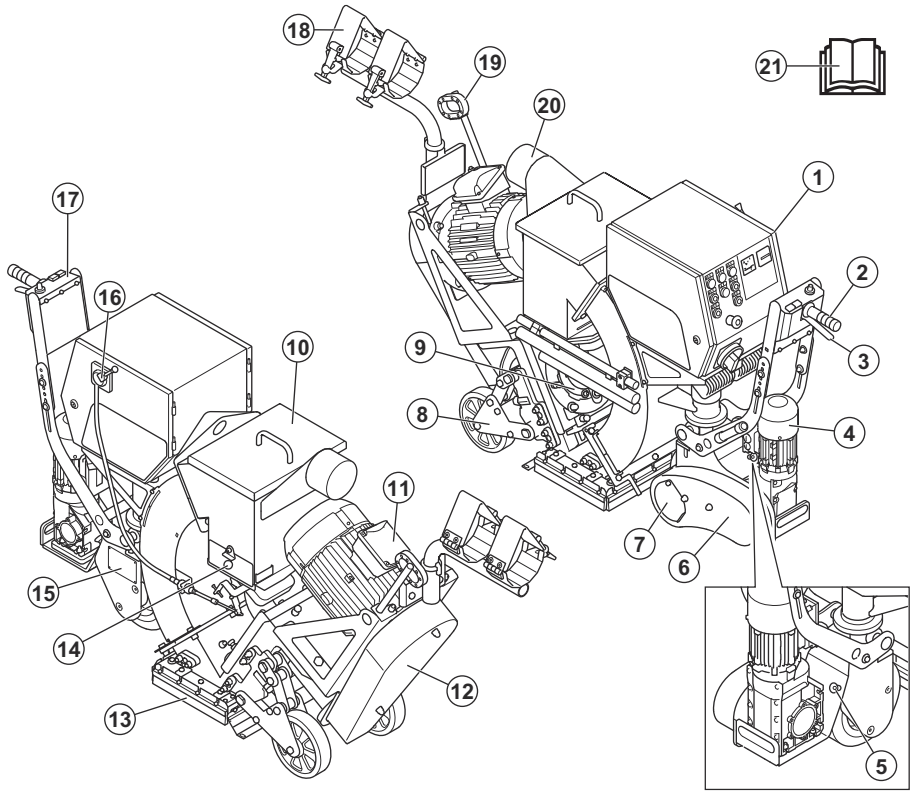
### Uso previsto

El producto se utiliza para extraer capas de pintura, selladores y contaminación. El producto se puede utilizar en superficies horizontales secas y sin escarcha. Por ejemplo, hormigón, asfalto, piedra y acero.

Los operadores profesionales utilizan el producto en operaciones comerciales.

No utilice el producto para otras tareas.

## Descripción general del producto 1-10DS



1. Carcasa eléctrica. Consulte *Carcasa eléctrica y panel de control en la página 37.*

2. Manillar de dirección

3. Palanca del sistema de transmisión

4. Motor del sistema de transmisión

5. Pasador de liberación rápida

6. Cubierta del sistema de transmisión

7. Protector de cadena

8. Ruedas traseras

9. Caja de control

10. Cubierta del separador

11. Motor de granallado

12. Cubierta de la correa en V

13. Cabezal de granallado con juntas

14. Bandeja separadora

15. Placa de identificación

16. Palanca de control del abrasivo

17. Panel de control. Consulte *Carcasa eléctrica y panel de control en la página 37.*

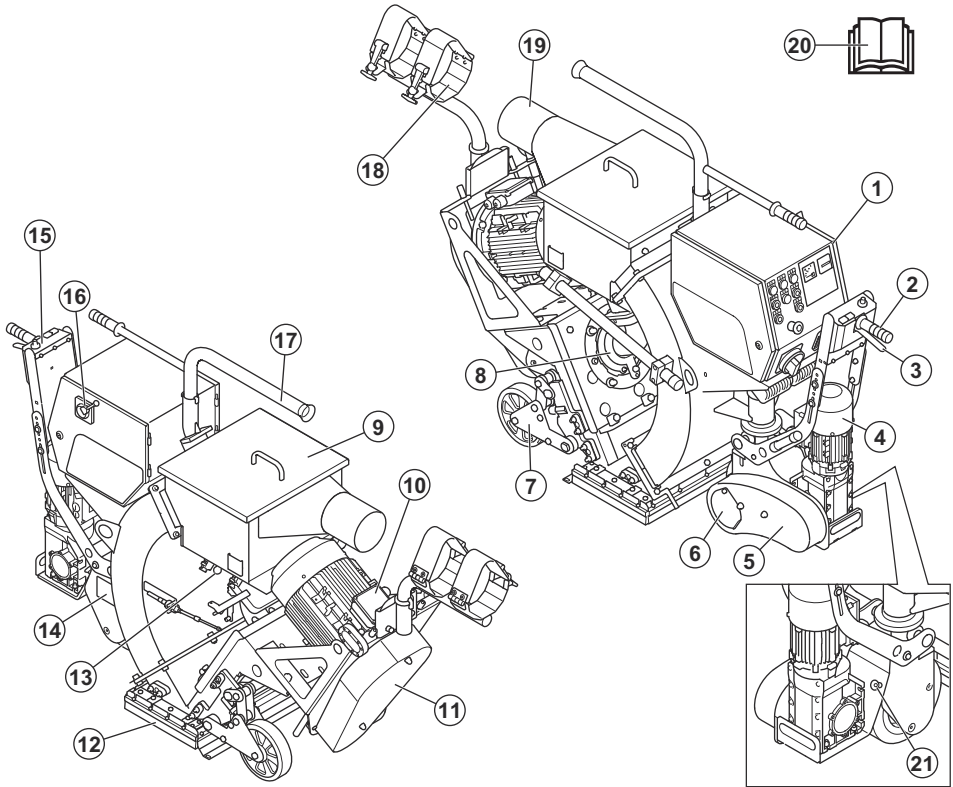
18. Soporte de la manguera extractora de polvo

19. Palanca del mecanismo de elevación

20. Conexión del extractor de polvo

21. Manual del usuario

## Descripción general del producto 1-15DS

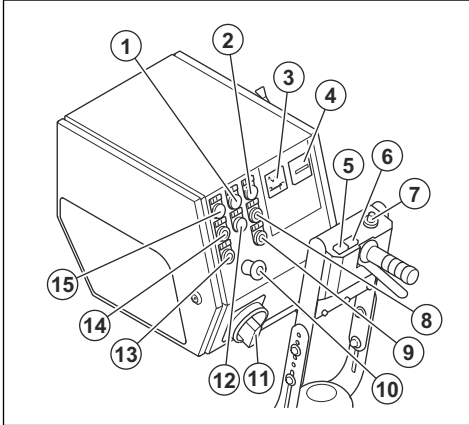


1. Carcasa eléctrica. Consulte *Carcasa eléctrica y panel de control en la página 37.*
2. Manillar de dirección
3. Palanca del sistema de transmisión
4. Motor del sistema de transmisión
5. Cubierta del sistema de transmisión
6. Protector de cadena
7. Ruedas traseras
8. Caja de control
9. Cubierta del separador
10. Motor de granallado
11. Cubierta de la correa en V
12. Cabezal de granallado con juntas
13. Bandeja separadora
14. Placa de identificación
15. Panel de control. Consulte *Carcasa eléctrica y panel de control en la página 37.*
16. Palanca de control del abrasivo
17. Guía del cable

18. Soporte de la manguera extractora de polvo
19. Conexión del extractor de polvo
20. Manual del usuario
21. Pasador de liberación rápida

# Carcasa eléctrica y panel de control

## Descripción general de la carcasa eléctrica y del panel de control



1. Luz de advertencia de protección/falla del motor de granallado en la fuente de alimentación
2. Luz indicadora del motor de granallado
3. Amperímetro
4. Medidor de horas
5. Botón de sobremarcha
6. Botón de avance
7. Selector de control de velocidad
8. Botón ON del motor de granallado
9. Botón OFF del motor de granallado
10. Botón de Stop de emergencia
11. Interruptor ON/OFF
12. Botón ON/OFF de las luces de trabajo
13. BOTÓN OFF del panel de control
14. BOTÓN ON del panel de control
15. Luz indicadora del panel de control

## Símbolos en el producto



Advertencia: Este producto puede ser peligroso y provocar daños graves o fatales al operador o a otras personas. Tenga cuidado y utilice el producto correctamente.



Alta tensión.



Mantenga todas las partes del cuerpo lejos de las superficies calientes.



Punto de elevación.



Mantenga las manos lejos de las piezas giratorias.



Lea atentamente el manual y asegúrese de que entiende las instrucciones antes de usar el producto.



Utilice una protección respiratoria aprobada.



Use protección auricular aprobada.



Use protección ocular aprobada.



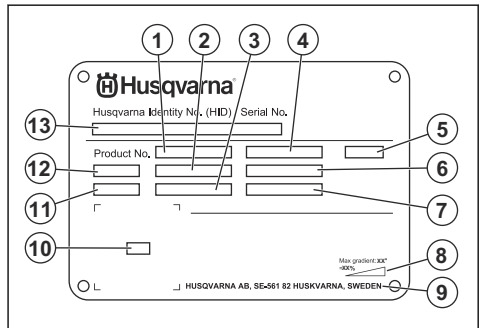
Use guantes protectores aprobados.



Use botas de protección aprobadas.

**Nota:** Otros símbolos o etiquetas en el producto hacen referencia a requisitos de certificación especiales para algunos mercados.

## Placa de identificación



1. Número del producto
2. Peso del producto
3. Potencia nominal
4. Tensión nominal
5. Gabinete
6. Corriente nominal
7. Frecuencia
8. Ángulo máximo de pendiente
9. Fabricante
10. Código escaneable
11. Año de fabricación
12. Modelo
13. Número de serie

## Responsabilidad del fabricante

Como se menciona en las leyes de responsabilidad del fabricante, no nos hacemos responsables de los daños que cause nuestro producto si:

- el producto se repara incorrectamente
- el producto se repara con piezas que no son del fabricante o que este no autoriza
- el producto tiene un accesorio que no es del fabricante o que este no autoriza
- el producto no se repara en un centro de servicio autorizado o por una autoridad aprobada.

---

## Seguridad

---

### Definiciones de seguridad

Las advertencias, precauciones y notas se utilizan para señalar las piezas particularmente importantes del manual.



**ADVERTENCIA:** Se utilizan para señalar el riesgo de lesiones graves o mortales para el operador o para aquellos que se encuentren cerca si no se siguen las instrucciones del manual.



**PRECAUCIÓN:** Se utilizan para señalar el riesgo de dañar la máquina, otros materiales o el área adyacente si no se siguen las instrucciones del manual.

**Nota:** Se utilizan para entregar más información necesaria en situaciones particulares.

### Instrucciones generales de seguridad



**ADVERTENCIA:** Lea atentamente las instrucciones de advertencia siguientes antes de usar el producto.

- Este producto puede ser una herramienta peligrosa si no se maneja con cuidado o si utiliza el producto de forma incorrecta. Este producto puede causar daños graves o fatales al operador o a otras personas. Antes de utilizar el producto, es muy importante que lea y comprenda el contenido de este manual de usuario.
- Este producto no está diseñado para que personas (incluidos niños) con capacidades físicas, sensoriales o mentales reducidas, o con falta de experiencia y conocimientos, lo utilicen.
- Guarde todas las advertencias y las instrucciones.
- Cumpla todas las leyes y reglamentos vigentes.

- El operador y el empleador del operador deben conocer y evitar los riesgos durante la operación del producto.
- No permita que nadie que no haya leído y comprendido el contenido del manual de usuario utilice el producto.
- No utilice el producto si no ha recibido capacitación antes de su uso. Asegúrese de que todos los usuarios reciban capacitación.
- No deje que un niño utilice el producto.
- Restrinja el uso del producto solo a personas autorizadas.
- El operador es responsable de los accidentes que puedan ocurrirles a otras personas o a sus propiedades.
- No utilice el producto si está cansado, enfermo o bajo la influencia de alcohol, drogas o medicamentos.
- Sea siempre cuidadoso y use el sentido común.
- Mantenga el producto limpio. Asegúrese de que puede leer señales y etiquetas claramente.
- No utilice el producto si está dañado o si no funciona correctamente.
- No modifique este producto.
- No utilice el producto si es posible que otras personas hayan realizado modificaciones en el mismo.

### Instrucciones de seguridad para el funcionamiento



**ADVERTENCIA:** Lea atentamente las instrucciones de advertencia siguientes antes de usar el producto.

- Utilice el equipo de protección personal. Consulte *Equipo de protección personal en la página 40*.
- La sobreexposición a las vibraciones puede producir trastornos vasculares o daños al sistema nervioso en las personas que padecen

problemas de circulación. Obtenga asistencia médica si experimenta síntomas de sobreexposición a las vibraciones. Estos síntomas incluyen entumecimiento, pérdida de sensibilidad, hormigueo, ardor, dolor, pérdida de fuerza y cambios en el color o el estado de la piel. Normalmente, estos síntomas se presentan en los dedos, las manos o las muñecas.

- No utilice el producto sin que todas las cubiertas protectoras estén instaladas.
- Asegúrese de saber cómo detener el motor rápidamente en caso de emergencia.
- antes de alejarse del producto, detenga el motor y desconecte el cable de alimentación. Asegúrese de que no haya riesgo de inicio accidental.
- Asegúrese de que ninguna prenda, cabello largo o joya puedan quedar atrapados en las piezas móviles
- Asegúrese de encontrarse en una posición segura y estable durante la operación.
- Verifique que no haya pernos ni tuercas sueltos.
- No levante ni incline el cabezal esparcidor durante la operación. El abrasivo sale del producto a gran velocidad y puede causar lesiones. Siempre desconecte el enchufe de alimentación antes de levantar o inclinar el producto.
- Asegúrese de que el separador y la bandeja del separador estén cerrados durante la operación.
- No utilice el producto si no puede recibir ayuda en caso de que ocurra un accidente.
- Siempre utilice accesorios homologados. Comuníquese con su distribuidor Husqvarna para obtener más información.
- Si el producto vibra o el nivel de ruido del producto es inusualmente alto, deténgalo de inmediato. Desconecte el enchufe. Examine el producto en busca de daños. Repare los daños o solicite a un taller de servicio autorizado que realice la reparación.
- Para eliminar el polvo, conecte siempre el producto a un extractor de polvo.
- No tire de la manguera del extractor de polvo. El producto puede caerse y causar daños o lesiones.
- Mantenga el extractor de polvo encendido hasta que el motor se detenga por completo.
- Opere el producto solamente desde la parte posterior y con la mano en el manillar.
- Asegúrese de que no haya grasa ni aceite en las manillas.
- Asegúrese de que las juntas de la lista de cepillos no estén dañadas.
- Asegúrese de que las juntas de la lista de cepillos estén instaladas a la altura correcta.
- Siempre utilice abrasivos aprobados. Comuníquese con su distribuidor Husqvarna para obtener más información. Consulte *Abrasivo aprobado en la página 64*.
- Asegúrese de que el motor esparcidor tenga el sentido de rotación correcto. El sentido de rotación

correcto se indica con una flecha en la carcasa del motor.

## Seguridad de vibración



**ADVERTENCIA:** Lea atentamente las instrucciones de advertencia siguientes antes de usar el producto.

- Durante el funcionamiento del producto, se transmiten vibraciones del producto al operador. El uso frecuente y regular del producto puede provocarle lesiones al operador o aumentar el grado de estas. Se pueden producir lesiones en los dedos, las manos, las muñecas, los brazos, los hombros o los nervios, así como en el riego sanguíneo u otras partes del cuerpo. Las lesiones pueden ser debilitantes o permanentes, y pueden aumentar gradualmente durante semanas, meses o años. Entre las posibles lesiones se incluyen daños en el sistema de circulación sanguínea, el sistema nervioso, las articulaciones y otras estructuras corporales.
- Los síntomas pueden presentarse durante el funcionamiento del producto o en otro momento. Si tiene síntomas y continúa utilizando el producto, los síntomas pueden aumentar o hacerse permanentes. Si se producen estos u otros síntomas, solicite asistencia médica:
  - Entumecimiento, pérdida de sensación, hormigueo, picazón, dolor, ardor, dolor pulsante, rigidez, aturdimiento, pérdida de fuerza, cambios en el color o en el estado de la piel.
- Los síntomas pueden aumentar con el frío. Utilice ropa de abrigo y mantenga las manos calientes y secas cuando utilice el producto en entornos fríos.
- Realice el mantenimiento del producto y utilícelo según se indica en el manual de usuario, para mantener un nivel de vibración correcto.
- El producto tiene un sistema amortiguador de vibraciones que disminuye las vibraciones de las manijas al operador. Deje que el producto haga el trabajo.
- Mantenga las manos solamente en las manijas. No acerque ninguna otra parte de cuerpo al producto.
- Detenga el producto de inmediato si se producen vibraciones fuertes repentinamente. No continúe la operación hasta eliminar la causa del aumento de las vibraciones.

## Seguridad contra el polvo



**ADVERTENCIA:** Lea atentamente las instrucciones de advertencia siguientes antes de usar el producto.

- El funcionamiento del producto puede causar suspensión de polvo en el aire. El polvo puede causar lesiones graves y problemas de salud permanentes. Varias autoridades han establecido

regulaciones con respecto a los efectos dañinos del polvo de sílice. A continuación, se presentan algunos ejemplos de tales problemas de salud:

- Enfermedades pulmonares mortales como bronquitis crónica, silicosis y fibrosis pulmonar
- Cáncer
- Anomalías congénitas
- Inflamación de la piel
- Utilice el equipo correcto para disminuir la cantidad de polvo y gases en el aire y para disminuir la cantidad de polvo en el equipo de trabajo, las superficies, la ropa y las partes del cuerpo. Los ejemplos de controles son los sistemas de recolección de polvo. Disminuya el polvo en el origen cuando sea posible. Asegúrese de que el equipo se instale y utilice correctamente, y de que se le realice mantenimiento regular.
- Utilice protección respiratoria aprobada. Asegúrese de utilizar protección respiratoria cuando se trabaje con materiales peligrosos en el área de trabajo.
- Asegúrese de que haya un flujo de aire suficiente en la zona de trabajo.

## Seguridad contra el ruido



**ADVERTENCIA:** Lea atentamente las instrucciones de advertencia siguientes antes de usar el producto.

- Los niveles altos de ruido y la exposición a largo plazo al ruido pueden causar pérdida auditiva.
- Para mantener el nivel de ruido al mínimo, realice el mantenimiento del producto y utilícelo según se indica en el manual de usuario.
- Utilice protectores auriculares aprobados cuando opere el producto.
- Cuando utilice protectores auriculares, esté atento a las señales de advertencia y a las voces. Qítense los protectores auriculares cuando el producto esté detenido, a menos que sean necesarios para el nivel de ruido en la zona de trabajo.

## Equipo de protección personal



**ADVERTENCIA:** Lea atentamente las instrucciones de advertencia siguientes antes de usar el producto.

- Utilice siempre el equipo de protección personal aprobado cuando utilice el producto. El equipo de protección personal no puede impedir el riesgo de lesiones, pero disminuirá el grado de lesión si ocurre un accidente. Solicite a su distribuidor que lo ayude a seleccionar el equipo de protección personal correcto y que le indique cuándo usarlo.
- Realice periódicamente una comprobación del estado del equipo de protección personal.
- Use protección auricular aprobada.
- Utilice protección respiratoria aprobada.

- Utilice protección ocular aprobada con protección lateral.
- Use guantes protectores.
- Utilice botas con punta de acero y suela antideslizante.
- Utilice ropa de trabajo aprobada o ropa equivalente de ajuste ceñido, que cubra por completo los brazos y las piernas.

## Extintor de incendios

- Mantenga un extintor de incendios a mano durante la operación.
- Utilice un extintor de incendios de polvo o un extintor de dióxido de carbono.

## Seguridad en el área de trabajo

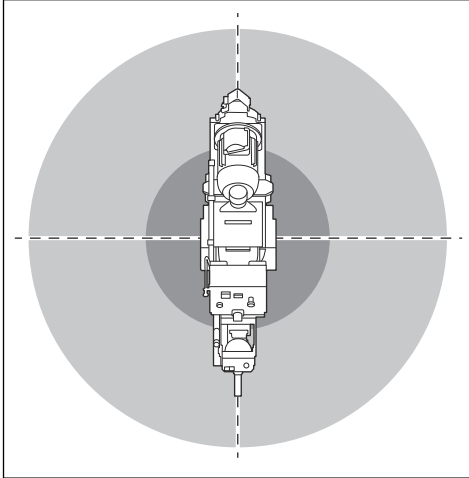


**ADVERTENCIA:** Lea atentamente las instrucciones de advertencia siguientes antes de usar el producto.

- Es responsabilidad del usuario analizar la superficie que se va a tratar. El usuario debe realizar una evaluación de riesgos en función de la información obtenida de la superficie que se va a tratar y tomar las precauciones adecuadas para el trabajo que se realizará.
- No use el producto en condiciones de niebla, lluvia, viento fuerte, clima frío, riesgo de rayos u otras condiciones climáticas adversas.
- Tenga cuidado con personas, objetos y situaciones que puedan impedir el funcionamiento seguro del producto.
- No utilice el producto en áreas donde se pueden producir explosiones o incendios. El producto genera chispas, y los materiales inflamables pueden encenderse con el polvo o los vapores.



- Mantenga a los niños, los transeúntes y los animales alejados del área de trabajo y a una distancia segura del producto. La distancia segura es de 10 m/33 ft.



- Mantenga a los transeúntes y los animales alejados del área de trabajo y a una distancia segura del producto.
- Asegúrese de que solo personas autorizadas estén en la área de trabajo.
- Mantenga el área de trabajo limpia y totalmente iluminada. Las áreas desordenadas u oscuras propician los accidentes.
- Retire los objetos, como tornillos, pernos, cables y piedras del área de trabajo antes de utilizar el producto.
- Asegúrese de que no haya cables ni mangueras en la dirección de funcionamiento del producto.
- Asegúrese de que las superficies irregulares, como las uniones soldadas o las juntas del piso, no detengan el producto.
- Asegúrese de que haya suficiente flujo de aire en el área de trabajo.

## Seguridad eléctrica



**ADVERTENCIA:** Siempre existe el riesgo de recibir una descarga cuando se usan productos eléctricos. No utilice el producto en condiciones climáticas adversas. No toque los pararrayos ni los objetos metálicos. Utilice siempre el producto como se indica en este manual del usuario para evitar lesiones.



**ADVERTENCIA:** Utilice siempre una fuente de alimentación con un dispositivo de corriente residual (RCD). El dispositivo disminuye el riesgo de descarga eléctrica.



**ADVERTENCIA:** Alta tensión. Hay piezas sin protección en la unidad de alimentación. Desconecte siempre el enchufe de alimentación antes de abrir la puerta de la caja eléctrica.



**ADVERTENCIA:** Utilice el enchufe de salida de la máquina solo para los fines especificados en las instrucciones.



**PRECAUCIÓN:** La fuente de alimentación del producto o el generador deben ser suficientes y constantes para asegurarse de que el motor funcione sin problemas. La tensión incorrecta hace que el consumo de energía y la temperatura del motor aumenten hasta que se active el circuito de seguridad. Las dimensiones del cable de alimentación deben coincidir con las regulaciones nacionales y locales. Las dimensiones de la toma de corriente deben coincidir con el amperaje del enchufe eléctrico y el cable de extensión del producto.

Si el sistema de la red eléctrica tiene una resistencia más alta, puede ocurrir una breve caída de tensión cuando el producto se pone en marcha. Esto puede afectar el funcionamiento de otros productos; por ejemplo, el parpadeo de luces.

- Los enchufes de alimentación deben coincidir con la toma de corriente. Nunca modifique el enchufe de ninguna forma. No utilice enchufes con adaptador con herramientas eléctricas conectadas a tierra. Los enchufes sin modificaciones y las tomas correspondientes reducen el riesgo de descarga eléctrica.
- Evite el contacto corporal con superficies conectadas a tierra, como tuberías, radiadores, estufas y refrigeradores. Existe un mayor riesgo de descarga eléctrica si su cuerpo está conectado a tierra.
- Asegúrese de que la alimentación, el fusible y el voltaje de la red eléctrica sean los mismos que se indican en la placa de características del producto.
- Detenga siempre el producto antes de desconectar el enchufe.
- Asegúrese de que el interruptor ON/OFF esté en la posición OFF antes de que el producto se conecte a la fuente de alimentación.
- Desconecte siempre el enchufe de alimentación durante una detención prolongada del producto.
- No utilice el producto si el cable o el enchufe de alimentación se encuentran dañados. Si el cable de alimentación está dañado, lo debe reemplazar el fabricante, su taller de servicio o personas

igualmente calificadas para evitar un riesgo. Un cable de alimentación dañado puede causar daños graves e incluso la muerte.

- Utilice el cable de alimentación correctamente. No utilice el cable de alimentación para mover, tirar o desconectar el producto. Tire del enchufe de alimentación para desconectar el cable de alimentación. No tire del cable de alimentación.
- Opere el producto solo en superficies secas.
- Mantenga el producto alejado de la lluvia. El ingreso de agua en el producto aumenta el riesgo de descarga eléctrica.
- Asegúrese de desconectar siempre el cable de alimentación antes de conectar o desconectar la conexión del cable del motor y del gabinete eléctrico.
- A fin de evitar riesgos debido al restablecimiento involuntario del corte térmico, este aparato no debe alimentarse a través de un dispositivo de conmutación externo, como un temporizador, ni conectarse a un circuito que los usuarios activen y desactiven regularmente.
- Asegúrese de que la fuente de alimentación del producto sea suministrada por transformadores separados que se utilicen solo para fines industriales.

#### Instrucciones para la conexión a tierra del producto



**ADVERTENCIA:** Una conexión incorrecta puede provocar una descarga eléctrica. Hable con un electricista certificado si no tiene la seguridad de que el producto está correctamente conectado a tierra.

No modifique la especificación de fábrica del enchufe. Si el enchufe o el cable de alimentación está dañado o se debe reemplazar, hable con su agente de servicio de Husqvarna. Obedezca las normas y las leyes locales.

Si no comprende perfectamente las instrucciones sobre la conexión a tierra del producto, póngase en contacto con un electricista certificado.

Solo utilice cables de extensión para exteriores con conexión a tierra en conjunto con enchufes que tengan conexión a tierra, y use una toma de corriente con conexión a tierra que sea compatible con el enchufe del producto.

El producto cuenta con un cable de alimentación y un enchufe con conexión a tierra. Conecte siempre el producto a una toma de corriente con conexión a tierra. Esto disminuye el riesgo de descarga eléctrica.

No utilice adaptadores eléctricos para el producto.

#### Cables de extensión

- Utilice solamente cables de extensión aprobados que tengan las propiedades adecuadas.
- El valor nominal del cable de extensión debe ser el mismo que se establece en la placa de características del producto, o superior a este.
- Utilice cables de extensión con conexión a tierra.
- Cuando opere el producto en exteriores, utilice un cable de extensión apto para el uso en exteriores. Esto disminuye el riesgo de descarga eléctrica.
- Mantenga la conexión al cable de extensión seca y sin que toque el suelo.
- Mantenga el cable de extensión alejado del calor, el aceite, los bordes afilados o las piezas móviles. Los cables dañados aumentan el riesgo de descarga eléctrica.
- Asegúrese de que el cable de extensión esté intacto y en buenas condiciones.
- No utilice el cable de extensión mientras está enrollado. Esto puede provocar que el cable de extensión se caliente demasiado.
- Asegúrese de que el cable de extensión no estorbe y esté alejado del producto durante la operación. Esto evita que el cable de extensión sufra daños.

#### Dispositivos de seguridad en el producto



**ADVERTENCIA:** Lea atentamente las instrucciones de advertencia siguientes antes de usar el producto.

- No utilice el producto si los dispositivos de seguridad no funcionan correctamente.
- Revise los dispositivos de seguridad de forma regular. Si sus dispositivos de seguridad no funcionan correctamente o están dañados, hable con su agente de servicio de Husqvarna.
- No realice ninguna modificación en los dispositivos de seguridad.

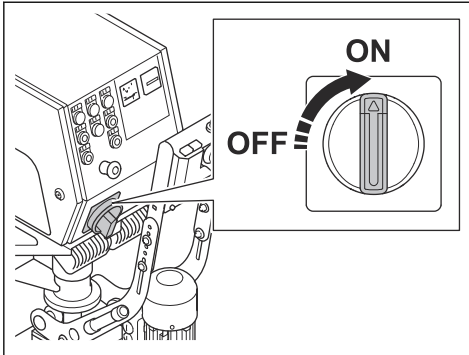
#### Interruptor ON/OFF

El interruptor ON/OFF se usa para iniciar y detener la alimentación del producto.

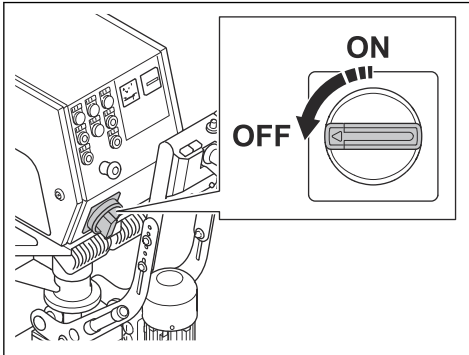
#### Para comprobar el interruptor encender/apagar

1. Gire el botón de parada de emergencia hacia la derecha para asegurarse de que esté desactivado.

2. Coloque el interruptor ON/OFF en la posición ON.



3. Asegúrese de que se inicie la fuente de alimentación.
4. Gire el interruptor ON/OFF a la posición OFF.



5. Asegúrese de que la fuente de alimentación se detenga.

#### Presione los botones ON/OFF del panel de control

Los botones ON/OFF del panel de control se utilizan para conectar y desconectar el panel de control.

#### Para revisar los botones ON/OFF del panel de control

Consulte *Descripción general de la carcasa eléctrica y del panel de control en la página 37* para obtener más información sobre la ubicación de los botones ON/OFF en su producto.

1. Para asegurarse de que el botón de Stop de emergencia está desactivado, gire el botón de Stop de emergencia hacia la derecha.
2. Coloque el interruptor ON/OFF en la posición ON.
3. Presione el botón ON del panel de control.
4. Asegúrese de que la luz indicadora del panel de control se encienda.
5. Presione el botón OFF del panel de control. Asegúrese de que la luz indicadora se apague.

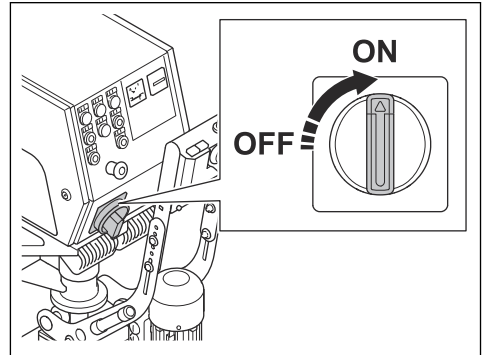
6. Coloque el interruptor ON/OFF en la posición OFF.

#### Botones ON/OFF del motor esparcidor

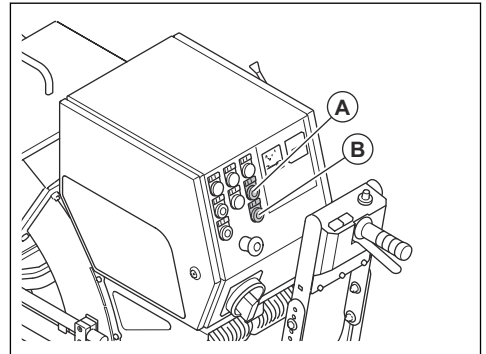
Los botones ON/OFF del motor esparcidor se utilizan para iniciar y detener el motor esparcidor. Consulte *Para revisar los botones ON/OFF del motor de granallado en la página 43*.

#### Para revisar los botones ON/OFF del motor de granallado

1. Coloque el interruptor ON/OFF de la carcasa eléctrica en la posición ON.



2. Para asegurarse de que el botón de Stop de emergencia está desactivado, gire el botón de Stop de emergencia hacia la derecha.
3. Inicie el panel de control.
4. Presione el botón ON (A) en la carcasa eléctrica y asegúrese de que el motor arranque.



5. Presione el botón OFF (B) en la carcasa eléctrica y asegúrese de que el motor se detenga.

#### Amperímetro

El amperímetro muestra la carga de esparcidor en la superficie. El amperaje máximo se muestra sobre el amperímetro.

## Para revisar el amperímetro

Consulte *Descripción general de la carcasa eléctrica y del panel de control en la página 37* para obtener información sobre dónde está el amperímetro en el producto.

1. Encienda el producto. Consulte *Para poner en marcha el producto en la página 51*.
2. Espere hasta que el amperímetro esté en la posición de ralentí.
3. Detenga la máquina. Consulte *Para detener el producto en la página 54*.

## Botón de Stop de emergencia

El botón de Stop de emergencia se utiliza para detener rápidamente los motores.

## Para revisar el botón de Stop de emergencia de la

Para obtener más información sobre la ubicación del botón de Stop de emergencia en su producto, consulte la sección *Descripción general de la carcasa eléctrica y del panel de control en la página 37*.

1. Para asegurarse de que el botón de Stop de emergencia está desactivado, gire el botón de Stop de emergencia hacia la derecha.
2. Encienda el producto. Consulte *Para poner en marcha el producto en la página 51*.
3. Presione el botón de Stop de emergencia.
4. Asegúrese de que el motor se detenga.
5. Gire el botón de Stop de emergencia hacia la derecha para desactivarlo.

## Instrucciones de seguridad para el mantenimiento



**ADVERTENCIA:** Lea atentamente las instrucciones de advertencia siguientes antes de usar el producto.

- Solo realice tareas de mantenimiento como se indica en el presente manual del usuario. Solicite que un taller de servicio autorizado realice todos los otros servicios.
- Si el mantenimiento no se realiza de manera correcta y regular, aumenta el riesgo de sufrir lesiones y causar daños en el producto.
- Limpie el producto para eliminar materiales peligrosos antes de realizar el mantenimiento.
- Realice el mantenimiento del producto en un terreno estable y nivelado. Asegúrese de que el producto no se mueva.
- No modifique el producto. Las modificaciones en el producto que no están aprobadas por el fabricante pueden causar daños graves o la muerte.
- Cambie las piezas dañadas, desgastadas o rotas.
- No use hidrolimpiadoras para limpiar el producto.
- Utilice solo paños de limpieza sin pelusa.
- Utilice siempre accesorios y piezas de repuesto originales. El uso de accesorios y piezas de repuesto que no estén aprobados por el fabricante puede causar daños graves o la muerte.
- Después de realizar el mantenimiento, revise el nivel de vibración del producto. Si no tiene el nivel correcto, comuníquese con un taller de servicio autorizado.
- Procure realizar las tareas de mantenimiento con regularidad en un taller de servicio aprobado.

## Funcionamiento

### Introducción



**ADVERTENCIA:** Antes de utilizar el producto, debe leer y entender el capítulo sobre seguridad.

## Haga lo siguiente antes de usar el producto

1. Lea atentamente el manual del usuario y asegúrese de entender las instrucciones.

2. Lea el manual del usuario del extractor de polvo atentamente y asegúrese de entender las instrucciones.
3. Si el producto se opera en conexión con una fuente de alimentación, asegúrese de leer y comprender el manual del operador de esa fuente de alimentación.
4. Utilice el equipo de protección personal. Consulte *Equipo de protección personal en la página 40*.
5. Asegúrese de que solo personas autorizadas estén en la área de trabajo.
6. Realice un mantenimiento diario. Consulte *Programa de mantenimiento en la página 55*.

7. Revise que el producto esté montado correctamente y que no esté dañado.
8. Asegúrese de que todos los pernos, tornillos y tuercas estén apretados.
9. Asegúrese de que la rueda esparcidora, el tubo de alimentación, los revestimientos y el sello no estén dañados ni desgastados. Reemplace las piezas cuando el 75 % del grosor del disco se haya desgastado.
10. Asegúrese de que el separador no esté dañado.
11. Asegúrese de que el separador esté lleno de abrasivo hasta la bandeja del separador.
12. Coloque el producto en el área de trabajo. Asegúrese de que la superficie esté nivelada. Asegúrese de que el transporte del producto hacia y en el área de trabajo se realice de forma segura y correcta. Consulte *Transporte en la página 60*.
13. Conecte el extractor de polvo al producto. Consulte *Para conectar un extractor de polvo en la página 50*.
14. Asegúrese de que el interruptor ON/OFF esté en la posición OFF antes de conectar el producto a una fuente de alimentación.
15. Conecte el producto a la fuente de alimentación. Consulte *Para conectar el producto a una fuente de alimentación en la página 50*.
16. Asegúrese de que la altura de los sellos de cepillado sea de 1 mm/0,04 in por encima de la superficie.
17. Asegúrese de que la altura de los sellos magnéticos sea de 8-10 mm/0,3-0,4 in por encima de la superficie.

## Sistema de transmisión

El sistema de transmisión se utiliza durante la operación y permite mover el producto con la rueda de tracción. Consulte *Para mover el producto con sistema de transmisión en la página 61*.

Conecte siempre el sistema de transmisión durante la operación.

## Para acoplar y desacoplar el sistema de transmisión



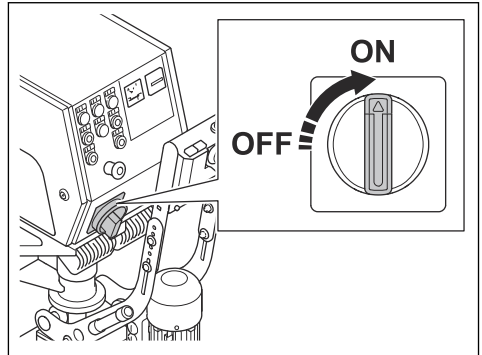
**ADVERTENCIA:** Mantenga sus manos lejos de las piezas giratorias. Tenga mucho cuidado al conectar el pasador de liberación rápida.



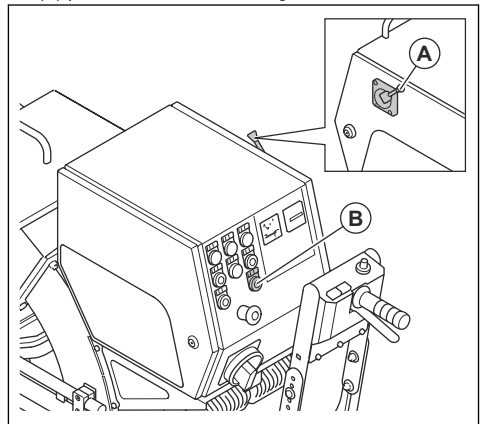
**PRECAUCIÓN:** Solo desacople el sistema de transmisión cuando el producto esté estacionado sobre una superficie nivelada.

desacoplar. El pasador de liberación rápida desacopla y acopla el sistema de transmisión. El pasador de liberación rápida se encuentra sobre la rueda de tracción. Consulte *Descripción general del producto 1-10DS en la página 35* o bien *Descripción general del producto 1-15DS en la página 36*.

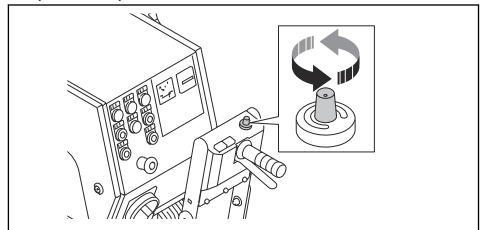
1. Gire el interruptor ON/OFF a la posición ON.



2. Empuje la palanca de control del abrasivo (A) para cerrar la válvula del abrasivo. Presione el botón OFF (B) para detener el motor de granallado.

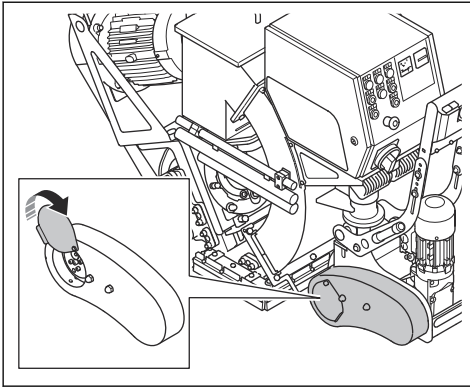


3. Ajuste la velocidad de movimiento a la más baja posible, aproximadamente 0,5.

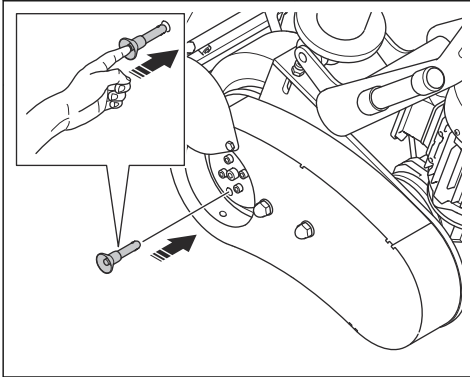


Si es necesario mover el producto de forma manual, con el motor apagado, el sistema de transmisión se debe

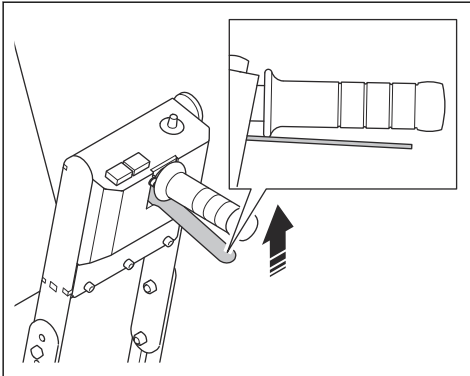
4. Abra la cubierta de la cadena de transmisión.



5. Instale el pasador de liberación rápida. Mantenga presionado el pasador de liberación rápida con un dedo.

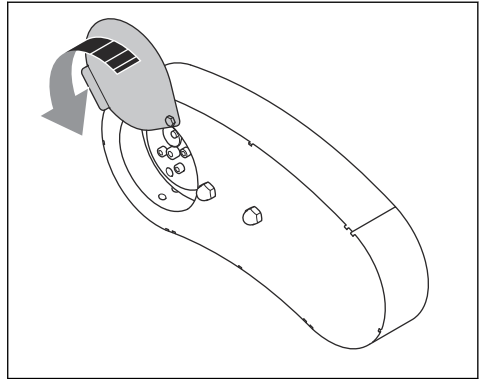


6. Utilice la otra mano para operar la palanca del sistema de transmisión.



El pasador de liberación rápida se bloquea en su posición cuando el sistema de transmisión está conectado.

7. Cierre la cubierta de la cadena de transmisión.



8. Para desconectar el sistema de transmisión, tire hacia afuera el pasador de liberación rápida.

## Válvula del abrasivo

La válvula del abrasivo controla el flujo de los disparos de abrasivo a la rueda de granallado. El ajuste de la válvula del abrasivo se muestra en el amperímetro. Consulte *Amperímetro en la página 43*.

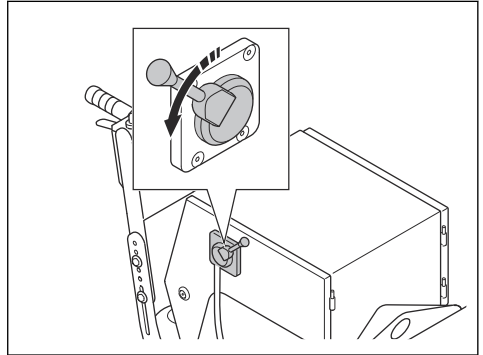
La válvula del abrasivo se ajusta con la palanca de control del abrasivo. Consulte *Para operar la válvula del abrasivo en la página 46*.

## Para operar la válvula del abrasivo

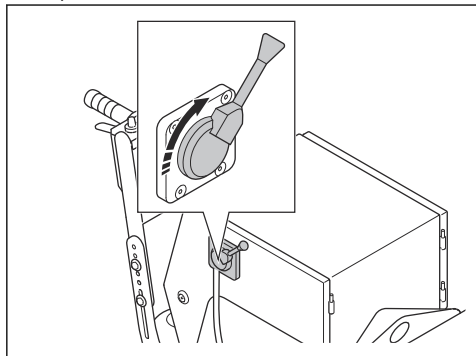


**PRECAUCIÓN:** Solo abra la válvula del abrasivo cuando el motor de granallado esté en funcionamiento.

1. Tire de la palanca de control del abrasivo para abrir la válvula del abrasivo y ajustar el flujo de los disparos de abrasivo.



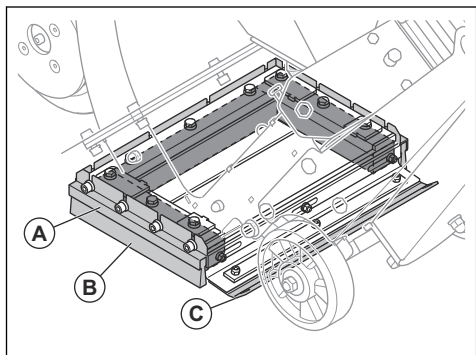
- Empuje la palanca de control del abrasivo para cerrar la válvula del abrasivo y ajustar el flujo de los disparos de abrasivo.



### Sello abrasivo

El sello abrasivo garantiza que el abrasivo permanezca en el producto durante la operación. El sello abrasivo tiene sellos magnéticos (A) en los lados y delante de la carcasa esparcidora. Las listas de cepillos (B) están conectadas alrededor de los sellos magnéticos.

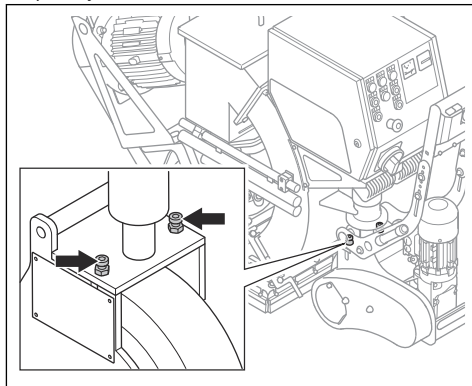
El sello protector (C) se mueve sobre la superficie.



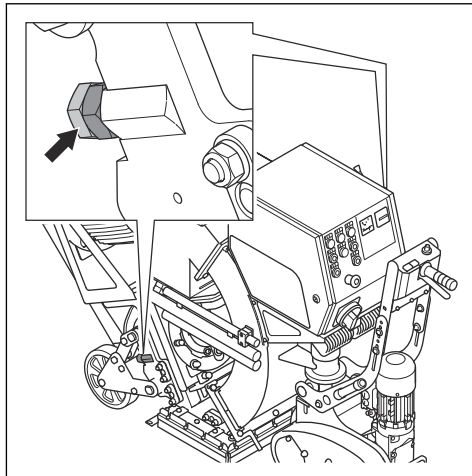
### Para ajustar la altura de las juntas magnéticas

El ajuste correcto de la altura de las juntas magnéticas es de 8 a 10 mm/0,3 a 0.4 in de la superficie.

- Afloje los 2 tornillos de ajuste en la parte delantera para ajustar la altura correcta.



- Afloje los 2 tornillos de ajuste en la parte trasera para ajustar la altura correcta.

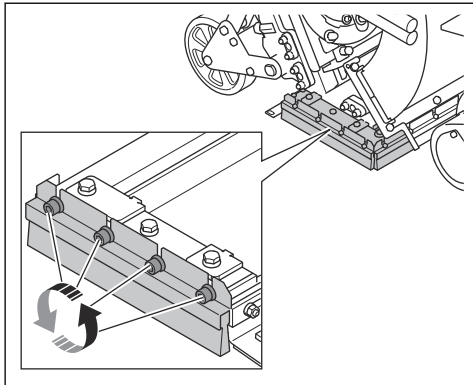


- Apriete los tornillos.

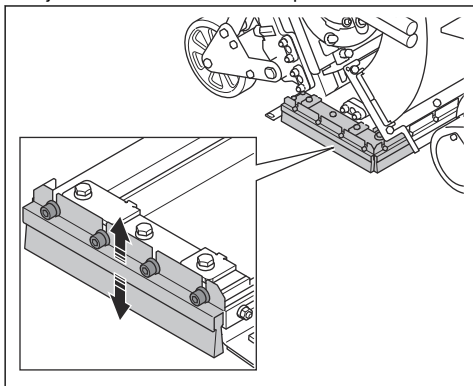
### Para ajustar la altura de las juntas de la lista de cepillos

El ajuste correcto de la altura de las listas de cepillos es de 1 mm/0,04 in desde la superficie.

1. Afloje los 4 tornillos que sujetan la lista de cepillos.



2. Ajuste la altura de la lista de cepillos.



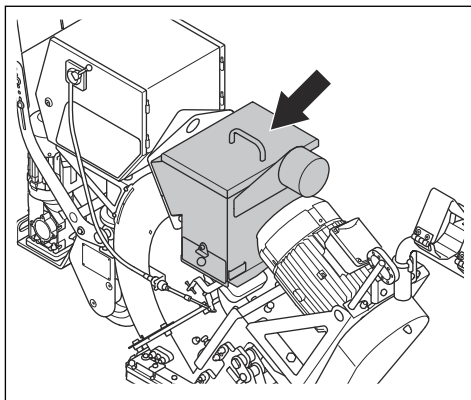
3. Apriete los 4 tornillos.

## Abrasivo

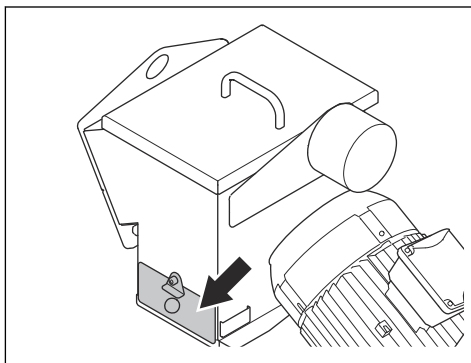
Hable con su Husqvarna distribuidor con el objetivo de seleccionar el abrasivo correcto para el funcionamiento de su superficie. Consulte *Abrasivo aprobado en la página 64*.

## Separador del abrasivo 1-10DS

El separador del abrasivo hace que el abrasivo esté libre de contaminación. El separador del abrasivo contiene el abrasivo y suministra abrasivo a la rueda de granallado.



La bandeja separadora mantiene la contaminación alejada del abrasivo y de la rueda de granallado.

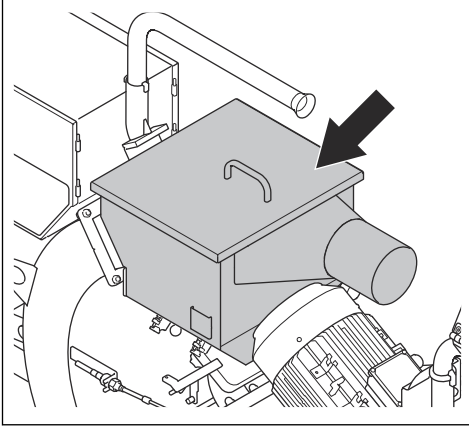


## Separador del abrasivo 1-15DS

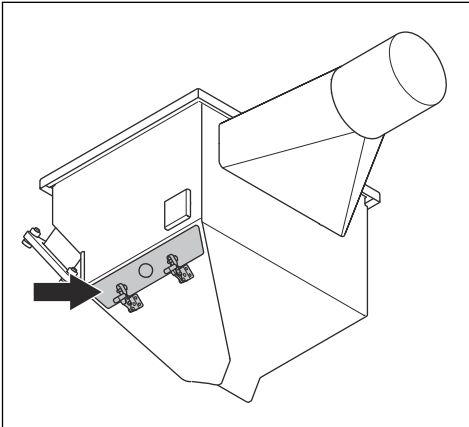
El separador del abrasivo hace que el abrasivo esté libre de contaminación. El separador del abrasivo



contiene el abrasivo y suministra abrasivo a la rueda de granallado.



La bandeja separadora mantiene la contaminación alejada del abrasivo y de la rueda de granallado.



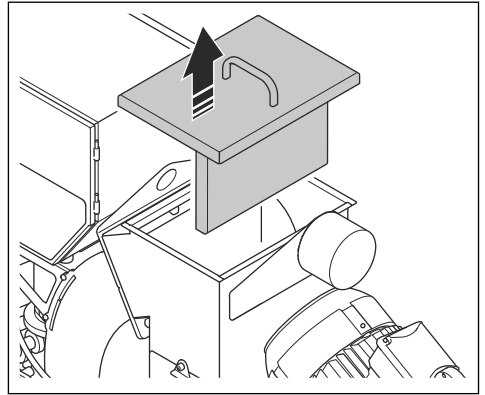
## Para llenar el producto con 1-10DS abrasivo



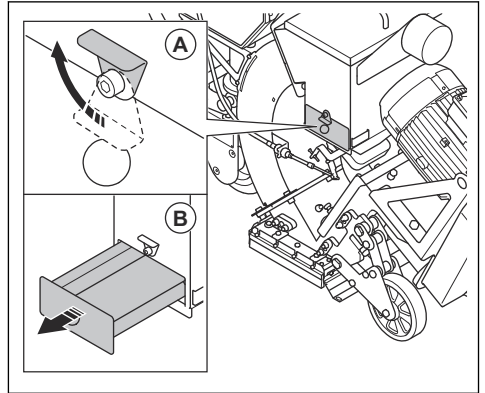
**ADVERTENCIA:** Siempre utilice equipo de protección personal durante el funcionamiento. Consulte *Equipo de protección personal en la página 40.*

1. Asegúrese de que la válvula del abrasivo esté cerrada. Consulte *Para operar la válvula del abrasivo en la página 46.*

2. Retire la cubierta del separador.



3. Abra el pestillo (A) y extraiga la bandeja separadora (B).



4. Retire todas las impurezas de la bandeja separadora cuando rellene el abrasivo o cuando sea necesario.
5. Llene el separador con abrasivo hasta la bandeja separadora. Rellene con abrasivo cuando sea necesario.

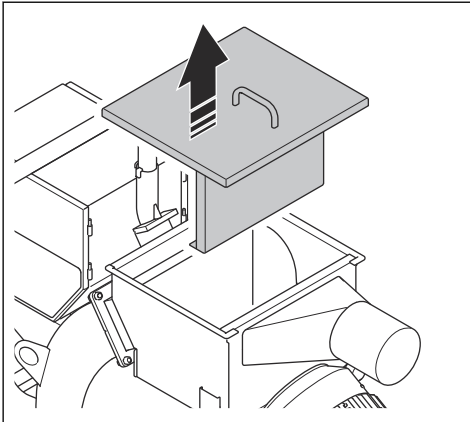
## Para llenar el producto con 1-15DS abrasivo



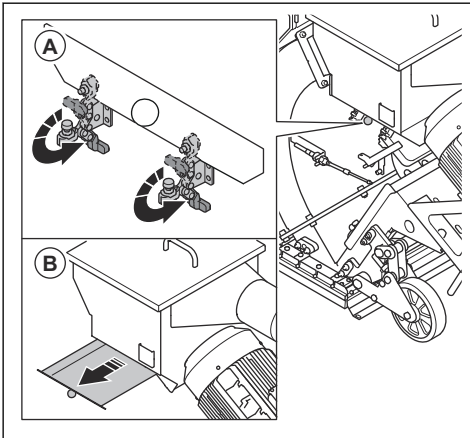
**ADVERTENCIA:** Siempre utilice equipo de protección personal durante el funcionamiento. Consulte *Equipo de protección personal en la página 40.*

1. Asegúrese de que la válvula del abrasivo esté cerrada. Consulte *Para operar la válvula del abrasivo en la página 46.*

2. Retire la cubierta del separador.



3. Abra las 2 abrazaderas (A) y extraiga la bandeja separadora (B).



4. Retire todas las impurezas de la bandeja separadora cuando rellene con abrasivo o cuando sea necesario.
5. Llene el separador con abrasivo hasta la bandeja separadora. Llene con abrasivo cuando sea necesario.

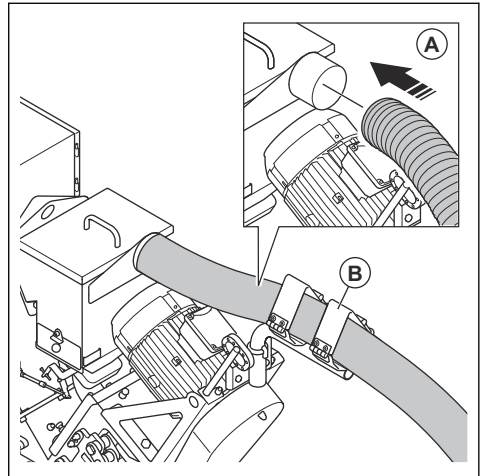
### Para conectar un extractor de polvo



**ADVERTENCIA:** No utilice el extractor de polvo si la manguera del extractor de polvo está dañada. El riesgo aumenta si respira polvo peligroso para su salud. Utilice protección respiratoria aprobada.

1. Examine la manguera del extractor de polvo para detectar daños.

2. Asegúrese de que los filtros del extractor de polvo estén limpios y en buen estado.
3. Conecte la manguera del extractor de polvo de forma segura a la conexión del extractor de polvo (A). Asegure las piezas fijadas con la herramienta suministrada y la cinta industrial.



4. Instale la manguera de extracción de polvo en el soporte de la manguera extractora de polvo (B).

### Para conectar el producto a una fuente de alimentación

1. Conecte el enchufe de alimentación del producto a una toma de corriente con conexión a tierra u otra fuente de alimentación.
2. Asegúrese de que la tensión de la red de electricidad corresponda a la placa de características del producto.

### Luz de advertencia de la protección de los motores esparcidos y fuente de alimentación defectuosa

La luz de advertencia de la protección de los motores esparcidos se enciende cuando hay un fallo en la fuente de alimentación. Los motores esparcidos no pueden iniciarse cuando la lámpara está encendida. Desconecte la protección de los motores esparcidos para iniciar los motores esparcidos. Consulte *Para desconectar la protección de los motores esparcidos en la página 50*.

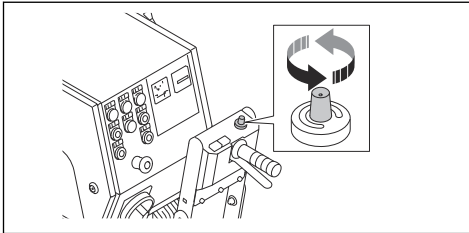
### Para desconectar la protección de los motores esparcidos

1. Cambie la posición de las fases.
2. Revise la luz de advertencia de la protección de los motores esparcidos. Si la luz sigue encendida, la fuente de alimentación no es la correcta.

3. Revise el interruptor de protección de los motores en el gabinete eléctrico.
4. Revise la luz de advertencia de la protección de los motores esparcidores. Si la luz sigue encendida, la fuente de alimentación no es la correcta.
5. Revise todas las fases con un multímetro. Conecte las fases faltantes.
6. Inicie los motores esparcidores. Consulte *Para poner en marcha el producto en la página 51*.
7. Revise la luz de advertencia de la protección de los motores esparcidores. Si la luz sigue encendida, comuníquese con su Husqvarna taller de servicio.

## Para seleccionar la velocidad correcta

Es importante realizar el funcionamiento con la velocidad de conducción correcta para obtener el mejor resultado. Si la superficie tiene una calidad diferente, ajuste la velocidad de conducción para obtener un resultado igual. Examine el resultado y ajuste la velocidad si es necesario.

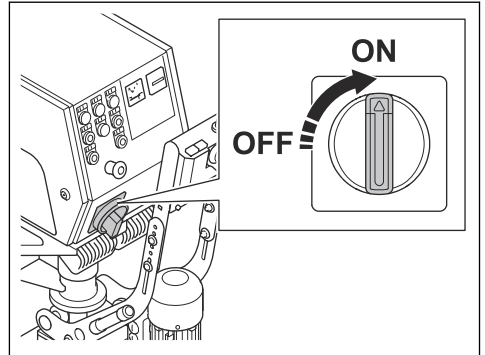


- Gire el selector de control de velocidad hacia la derecha para aumentar la velocidad.
- Gire el selector de control de velocidad hacia la izquierda para disminuir la velocidad.
  - a) Utilice la velocidad de conducción de 6 a 10 en superficies de hormigón para un tratamiento ligero.
  - b) Utilice la velocidad de conducción de 0 a 5 en superficies de hormigón para un tratamiento pesado.
  - c) Utilice la velocidad de conducción de 0 a 2 en superficies de acero.

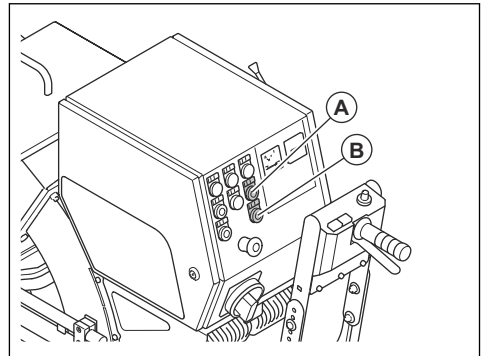
## Para poner en marcha el producto

1. Conecte el producto a una fuente de alimentación. Consulte *Para conectar el producto a una fuente de alimentación en la página 50*.
2. Encienda el extractor de polvo. Consulte el manual de usuario del extractor de polvo.
3. Conecte la manguera del extractor de polvo al producto. Consulte *Para conectar un extractor de polvo en la página 50*.
4. Asegúrese de que el botón de parada de emergencia esté desconectado.

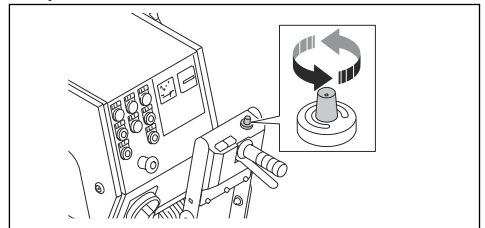
5. Coloque el interruptor ON/OFF en la posición ON.



6. Acople el sistema de transmisión. Consulte *Para acoplar y desacoplar el sistema de transmisión en la página 45*.
7. Inicie el panel de control.
8. Presione el botón ON (A) para encender el motor de granallado.



9. Espere hasta que el amperímetro esté en la posición de ralentí.
10. Gire el selector de ajuste de la velocidad para ajustar la velocidad de conducción.



## Para hacer funcionar el producto



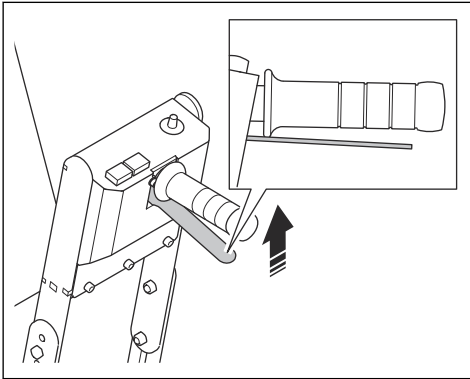
**ADVERTENCIA:** Este producto solo sirve para operaciones de retroceso. No

mueva el producto hacia delante durante el funcionamiento.



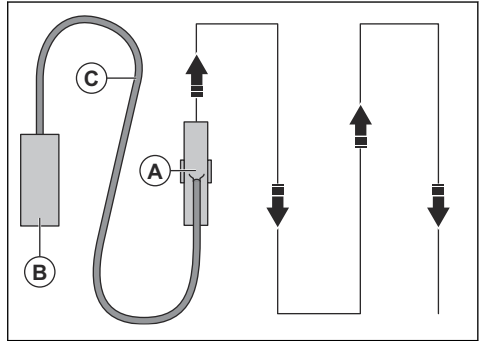
**ADVERTENCIA:** No levante la caja de granallado durante el funcionamiento. El abrasivo sale del producto a gran velocidad y puede causar lesiones.

1. Asegúrese de que el área de trabajo sea segura. Consulte *Seguridad en el área de trabajo en la página 40*.
2. Llene el separador de abrasivo con abrasivo. Llene el separador con abrasivos cuando sea necesario. Consulte *Para llenar el producto con 1-10DS abrasivo en la página 49* o bien *Para llenar el producto con 1-15DS abrasivo en la página 49*.
3. Encienda el producto. Consulte *Para poner en marcha el producto en la página 51*.
4. Acople el sistema de transmisión. Consulte *Para acoplar y desacoplar el sistema de transmisión en la página 45*.
5. Opere la palanca del sistema de transmisión.



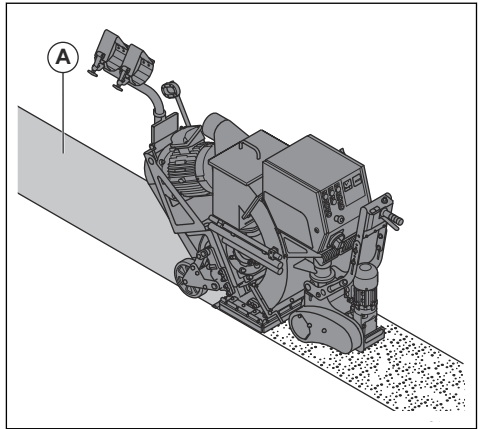
6. Tire de la palanca de control del abrasivo para abrir la válvula del abrasivo. Consulte *Para operar la válvula del abrasivo en la página 46*.
7. Después de 2 m/7 ft, cierre la válvula del abrasivo y detenga el producto.
8. Revise el patrón de granallado. Ajuste el patrón de granallado si es necesario. Consulte *Para ajustar el patrón de granallado en la página 53*.
9. Seleccione la velocidad correcta. Consulte *Para seleccionar la velocidad correcta en la página 51*.

10. Mueva el producto (A) en vías paralelas. El extractor de polvo (B) debe conectarse al producto (A) mediante la manguera del extractor de polvo (C).



### Patrón de granallado

El patrón de granallado (A) es la superficie que ha recibido tratamiento.



Para obtener un buen resultado, el punto de intervención debe estar en el centro del patrón de granallado. Si el punto de intervención está demasiado a la izquierda o a la derecha, gire la caja de control. Consulte *Para ajustar el patrón de granallado en la página 53*.

Estas son las condiciones que tienen efecto sobre el patrón de granallado:

- El sentido de rotación de la rueda de granallado es correcta.
- Mayor desgaste en la rueda de granallado, el propulsor y la caja de control.
- La dimensión del abrasivo. El patrón de granallado debe ajustarse cuando cambie de dimensión.
- La posición de la ventana lateral en la caja de control.
- Diferentes tipos y dureza de la superficie.

## Para ajustar el patrón de granallado

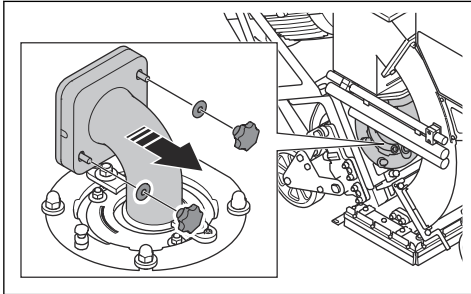


**ADVERTENCIA:** No ajuste, afloje ni toque las abrazaderas de la jaula, la boquilla de alimentación ni la rueda de granallado cuando el producto esté encendido. Desconecte la fuente de alimentación cuando ajuste el patrón de granallado.

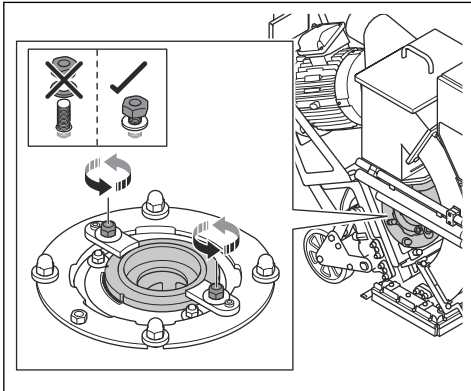


**ADVERTENCIA:** Utilice siempre el equipo de protección personal cuando ajuste el patrón de granallado. Consulte *Equipo de protección personal en la página 40*.

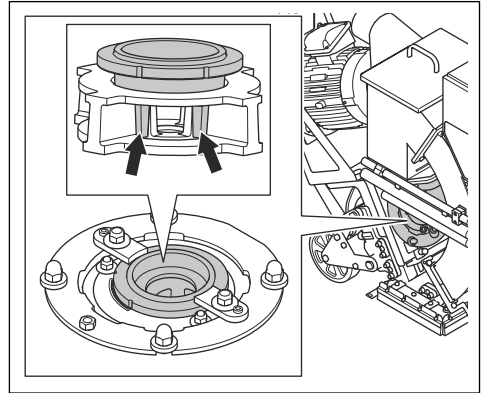
1. Desconecte el enchufe.
2. Retire los 2 tornillos, las 2 arandelas y la boquilla de alimentación.



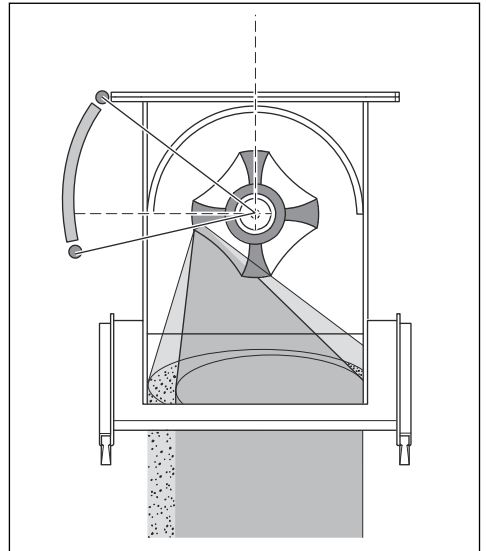
3. Afloje las 2 tuercas en las abrazaderas de la caja.



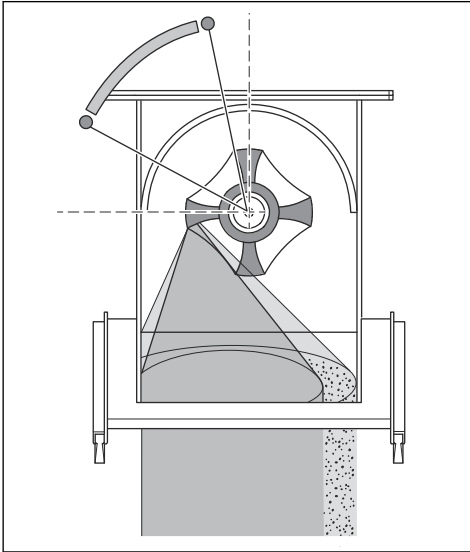
4. Examine la posición de la ventana de la caja de control.



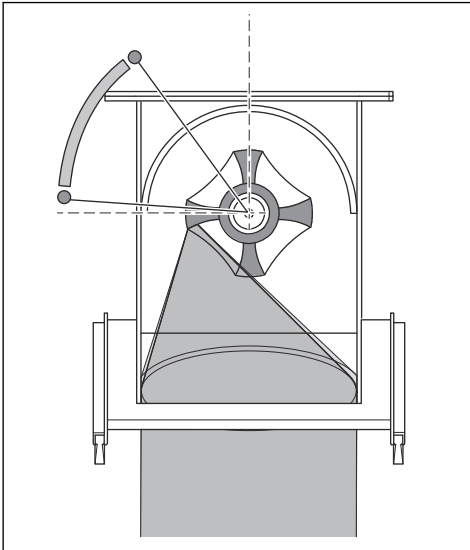
5. Gire la caja de control (B) hacia la derecha, si el punto de intervención está demasiado a la derecha.



6. Gire la caja de control (B) hacia la izquierda si el punto de intervención está demasiado a la izquierda.



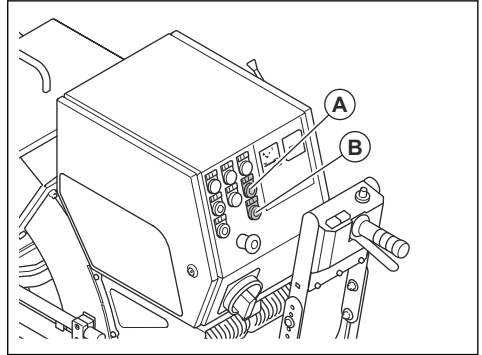
7. Asegúrese de que el punto de intervención esté aplicado de manera equitativa en la superficie para un ajuste correcto.



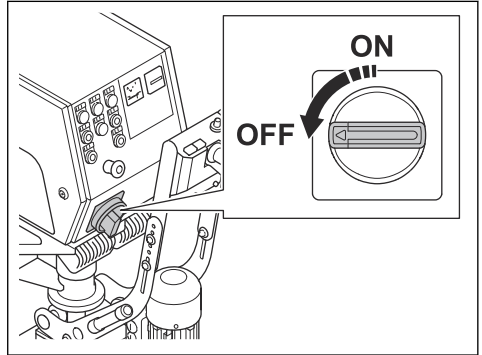
8. Apriete las abrazaderas de la caja cuando la caja de control esté en la posición correcta. Gire la rueda de granallado con la mano para asegurarse de que la caja de control no toque la rueda de granallado.
9. Instale la boquilla de alimentación, las 2 arandelas y los 2 tornillos.

## Para detener el producto

1. Empuje el cable de control del abrasivo para cerrar la válvula del abrasivo. Consulte *Para operar la válvula del abrasivo en la página 46*.
2. Presione el botón OFF (B) para detener el motor de granallado.



3. Gire el interruptor ON/OFF a la posición OFF.



4. Desconecte el enchufe de alimentación de la fuente de alimentación.
5. Detenga el extractor de polvo. Consulte el manual de usuario del extractor de polvo.

# Mantenimiento

## Presentación



**ADVERTENCIA:** Antes de realizar el mantenimiento, debe leer y entender el capítulo sobre seguridad.



**ADVERTENCIA:** Utilice el equipo de protección personal cuando realice el servicio y mantenimiento. Consulte *Equipo de protección personal en la página 40*.



**ADVERTENCIA:** Antes de realizar el mantenimiento, detenga el motor y desconecte el enchufe de alimentación de la fuente de alimentación. Asegúrese de que todas las unidades se detengan.

especial. Garantizamos la disponibilidad de trabajos de mantenimiento y reparación profesionales. Si el concesionario no cuenta con un taller de servicio, pídales información acerca del taller de servicio más cercano.

Para obtener información más detallada, consulte [www.husqvarnaconstruction.com](http://www.husqvarnaconstruction.com).

## Programa de mantenimiento

\* = Mantenimiento general por parte del operador. Las instrucciones no se proporcionan en este manual de usuario.

X = Las instrucciones se proporcionan en este manual de usuario.

O = Las instrucciones no se proporcionan en este manual del usuario. Solicite a un taller de servicio autorizado que realice el mantenimiento.

Para todos los trabajos de mantenimiento y reparación del producto, se requiere capacitación

Mantenimiento general del producto	Cada 3 h	A diario	12 h después de que se le realice servicio	Cada 3 meses	Anualmente
Asegúrese de que las tuercas y los tornillos estén apretados.		*	*		
asegúrese de que el enchufe y el cable de extensión estén en buenas condiciones y no tengan daños.		*			
Revise los componentes eléctricos, los cables y las conexiones para ver si están desgastados o dañados.		*			
Compruebe el RCD.		*			
Examine el motor eléctrico en busca de suciedad y daño.		*			
Asegúrese de que las mangueras del extractor de polvo no estén dañadas ni tengan obstrucciones.		*			
Vacíe el extractor de polvo.	*				
Revise el separador abrasivo, la bandeja del separador y el tubo de alimentación.	X				
Limpie la máquina.		X			

Mantenimiento general del producto	Cada 3 h	A diario	12 h después de que se le realice servicio	Cada 3 meses	Anualmente
Revise todos los dispositivos de seguridad.		X			
Revise si hay desgaste en el sello de cepillo o el sello magnético.		X			
Revise si hay desgaste en la jaula de control, la rueda esparcidora y los revestimientos. Consulte <i>Haga lo siguiente antes de usar el producto en la página 44.</i>		X			
Revise la tensión de la correa de transmisión.		X		X	
Revise la tensión de la cadena de transmisión del sistema de transmisión.				X	
Limpie la cadena de transmisión del sistema de transmisión.				X	
Realice un mantenimiento y una limpieza completos del producto.					O

## Para limpiar el producto

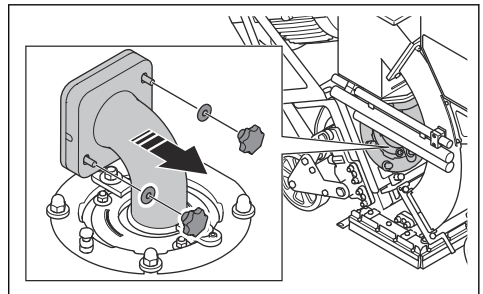
- Siempre limpie todos los equipos después de utilizarlos. Utilice una aspiradora.
- No use limpiadores de alta presión para limpiar el producto.
- Mantenga las aberturas de aire limpias y despejadas para asegurarse de que la temperatura del producto sea siempre lo suficientemente fría.

## Para limpiar la cadena del sistema de transmisión

1. Retire la suciedad de la superficie exterior de la cadena con un cepillo duro o un cepillo de alambre.
2. Limpie la cadena con un agente de limpieza.
3. Retire la suciedad de las piezas internas de la cadena.

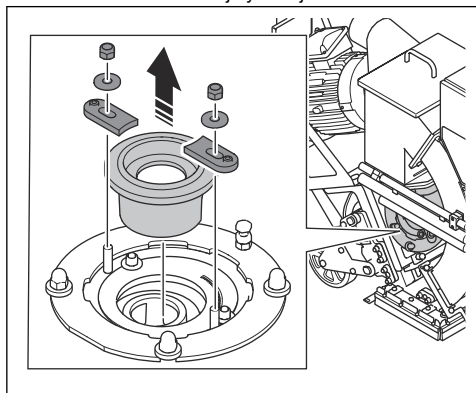
## Para retirar e instalar la caja de control

1. Retire los 2 tornillos, las 2 arandelas y la boquilla de alimentación.





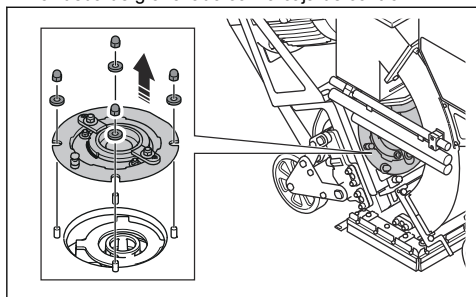
2. Quite las 2 tuercas, las 2 arandelas, las 2 abrazaderas de la caja y la caja de control.



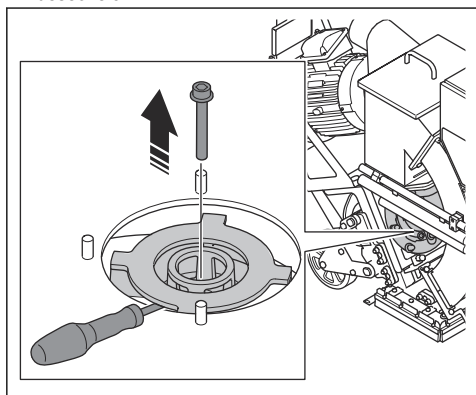
3. Vuelva a instalar todo en el orden inverso.

## Para reemplazar la rueda de granallado

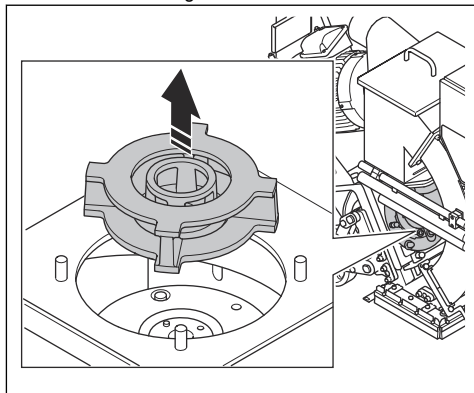
1. Quite las 4 tuercas, las 4 arandelas y la cubierta de la rueda de granallado con la caja de control.



2. Coloque una herramienta adecuada en la rueda de granallado para evitar la rotación. Quite el perno y deséchelo.



3. Quite la rueda de granallado.



4. Instale la nueva rueda de granallado en la secuencia opuesta.



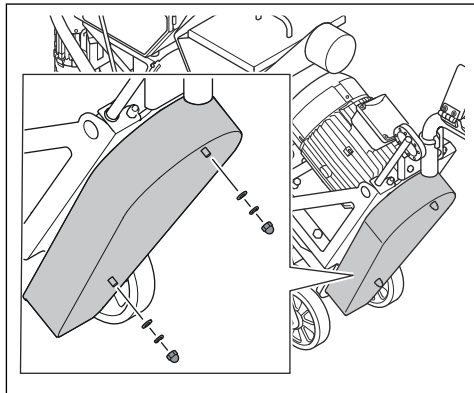
**PRECAUCIÓN:** Utilice siempre un perno nuevo cuando instale una rueda de granallado nueva.

## Para revisar la tensión de la correa en V



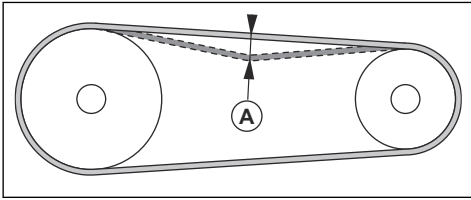
**ADVERTENCIA:** No utilice el producto sin la cubierta de la correa en V instalada.

1. Detenga la máquina. Consulte *Para detener el producto en la página 54*.
2. Quite las 2 tuercas, las 4 arandelas y la cubierta de la correa en V.



3. Inspeccione si las correas en V presentan daños y desgaste. Reemplace las correas en V si es necesario.

- Empuje las correas en V con su pulgar para examinar la tensión. Si puede empujar las correas en V una distancia de 10 a 15 mm/0,4 a 0,6 in (A), la tensión es correcta.



- Si la tensión de las correas en V no es suficiente, aumente la distancia entre el motor y el cojinete.
- Instale la cubierta de la correa en V.

## Para reemplazar la correa en V



**ADVERTENCIA:** Quite solamente la cubierta de la correa en V cuando se desconecte la fuente de alimentación y el motor esparcidor se haya detenido completamente.



**ADVERTENCIA:** No utilice el producto sin la cubierta de la correa en V instalada.

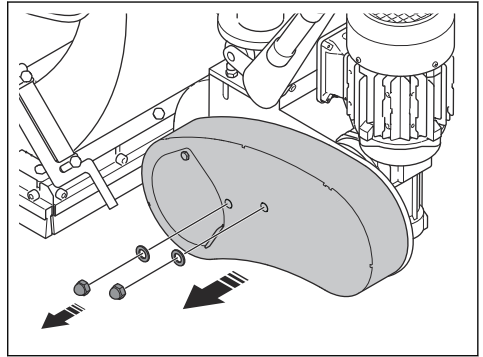
- Retire la cubierta de la correa en V. Consulte *Para revisar la tensión de la correa en V en la página 57*.
- Reduzca la distancia entre el motor esparcidor y el cojinete para aliviar la tensión de la correa en V.
- Quite la correa en V antigua e instale la correa en V nueva.
- Aumente la distancia entre el motor esparcidor y el cojinete para aplicar tensión a la correa en V. Consulte *Para revisar la tensión de la correa en V en la página 57*.
- Conecte la cubierta de la correa en V.

## Para revisar la tensión de la cadena del sistema de transmisión

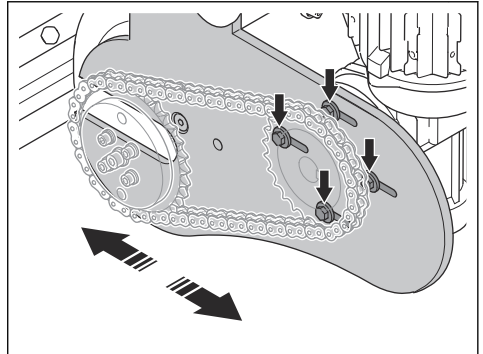


**ADVERTENCIA:** No utilice el producto sin la cubierta de la cadena instalada.

- Detenga la máquina. Consulte *Para detener el producto en la página 54*.
- Retire la cubierta de la cadena.



- Empuje la cadena para examinar la tensión. Si puede empujar la cadena a una distancia de 5 mm/0,2 in, la tensión es correcta.
- Afloje las tuercas.



- Mueva la rueda de cadena para ajustar la tensión.
- Apriete las tuercas.
- Instale la cubierta de la cadena.

## Solución de problemas

Problema	Causa	Solución
Demasiada vibración o ruidos inusuales.	Los motores esparcidores están desgastados o dañados.	Reemplace las piezas desgastadas o dañadas.
	Alineación incorrecta de la rueda esparcidora y la jaula de control.	Ajuste la alineación de la rueda esparcidora y la jaula de control.
	Hay tornillos y tuercas flojos.	Apriete todos los tornillos y las tuercas.
	Tensión incorrecta de la correa en V.	Revise la tensión de la correa en V. Consulte <i>Para revisar la tensión de la cadena del sistema de transmisión en la página 58.</i>
	El motor está dañado.	Reemplace el motor. Consulte a un taller de servicio de Husqvarna autorizado.
	Las ruedas están dañadas.	Sustituya las ruedas.
Disminución o ausencia de rendimiento.	El suministro de abrasivo a la rueda esparcidora no es suficiente.	Limpie la bandeja del separador separadora y vuelva a llenar el separador abrasivo con un abrasivo.
		Revise el tubo de alimentación y la válvula de abrasivo.
	El tipo de abrasivo es incorrecto para la superficie.	Reemplace el abrasivo con el abrasivo correcto para la superficie.
	El abrasivo está contaminado.	Revise el extractor de polvo y la manguera del extractor de polvo.
	La rueda esparcidora o la jaula de control está desgastada o dañada.	Reemplace la rueda esparcidora o la jaula de control.
	Demasiado abrasivo impacta en la superficie al inicio de la operación.	Cierre la válvula de abrasivo y detenga el producto. Vuelva a iniciar la operación y abra lentamente la válvula de abrasivo.
	La velocidad de transmisión del producto es demasiado alta.	Disminuya la velocidad de transmisión.
El abrasivo sale del producto.	Los sellos magnéticos están a una distancia incorrecta de la superficie.	Ajuste la altura de los sellos magnéticos.
	Sellos dañados.	Revise todos los sellos reemplácelos si es necesario.
	La calidad del abrasivo no es satisfactoria.	Comuníquese con su concesionario para obtener más información.
El desgaste es más de lo habitual en partes de la carcasa esparcidora.	Abrasivo incorrecto.	Comuníquese con su concesionario para obtener más información.
	La jaula de control no está instalada correctamente.	Ajuste la jaula de control para establecer un mejor patrón de esparcimiento.
	El extractor de polvo no proporciona suficiente potencia de succión.	Revise la manguera del extractor de polvo y el extractor de polvo.

Problema	Causa	Solución
El producto no se mueve.	La velocidad de transmisión es demasiado baja.	Aumente la velocidad de transmisión.
	El cabezal esparcidor queda atrapado en el piso.	Ajuste la altura.
	El sistema de transmisión está dañado o no está conectado.	Acople el sistema de transmisión. Revise la cadena de transmisión.
El motor no arranca.	Falta una fase de la fuente de alimentación.	Revise la fuente de alimentación.
	Una fase de la fuente de alimentación es incorrecta.	Ajuste la fase.
	El botón de Stop de emergencia está activado.	Gire el botón de Stop de emergencia hacia la derecha para desactivarlo.
	No hay alimentación en el sistema de transmisión.	Inicie el sistema de transmisión y, luego, inicie el motor esparcidor.
	El interruptor de protección del motor está conectado.	Vuelva a iniciar el producto. Revise la fuente de alimentación.
	El cable de extensión está desconectado o dañado.	Conecte el cable de extensión o, si es necesario, reemplácelo.
	Un componente está dañado.	Consulte a un taller de servicio de Husqvarna autorizado.
El producto se detiene después de un momento.	El interruptor de protección del motor se libera debido a una sobrecarga.	Consulte a un taller de servicio de Husqvarna autorizado.
	El motor está dañado.	Verifique el motor.
	Hay un fusible de seguridad o un disyuntor de corriente defectuoso conectado.	Consulte a un taller de servicio de Husqvarna autorizado.
	Los cables están dañados.	Revise el cable y reemplácelo si es necesario.
El sistema de transmisión no funciona correctamente.	El sistema de transmisión no está conectado.	Instale el pasador de liberación rápida.
	Fusible de seguridad o el motor del sistema de transmisión dañado.	Consulte a un taller de servicio de Husqvarna autorizado.
	El panel de control está dañado.	Consulte a un taller de servicio de Husqvarna autorizado.
	El potenciómetro está dañado.	Consulte a un taller de servicio de Husqvarna autorizado.

## Transporte, almacenamiento y eliminación de residuos

### Transporte



**ADVERTENCIA:** Tenga cuidado durante el transporte. El producto es pesado y puede causar lesiones o daños si se cae o se mueve durante el transporte.



**PRECAUCIÓN:** No remolque el producto detrás de un vehículo.

- Asegúrese de que la fuente de alimentación esté desconectada durante el transporte.

- Asegúrese de que el cable eléctrico y la manguera del extractor de polvo estén desconectados antes del transporte.
- Retire el abrasivo antes del transporte.
- Las ruedas permiten mover el producto en distancias cortas. Para distancias más largas, levante el producto para moverlo o súbalo a un vehículo.
- Ponga algún tipo de protección en el producto durante el transporte. Esto protege al producto de los elementos naturales, como la lluvia y la nieve.
- Conecte el sistema de transmisión durante el transporte. Consulte *Para acoplar y desacoplar el sistema de transmisión en la página 45*.

## Para poner el producto en posición de transporte

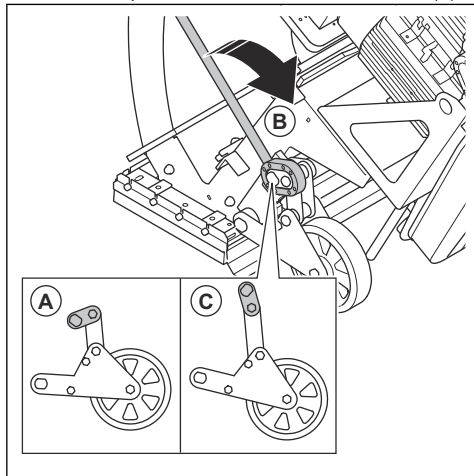


**ADVERTENCIA:** Asegúrese de que el producto esté sobre una superficie horizontal antes de levantar o bajar el producto.



**ADVERTENCIA:** No levante el producto hasta que las ruedas de granallado se hayan detenido por completo.

1. Conecte la palanca al mecanismo de elevación (A).



2. Levante la palanca (B) hasta la posición de transporte (C).

## Para mover el producto manualmente



**ADVERTENCIA:** Espere a que todas las piezas móviles estén detenidas antes de mover el producto.



**ADVERTENCIA:** Use botas de protección con puntas de acero y suelas antideslizantes.



**ADVERTENCIA:** No mueva el producto hacia arriba ni hacia abajo por rampas con el sistema de conducción desacoplado. Solo mueva el producto manualmente en un terreno nivelado.

1. Desacople el sistema de transmisión. Consulte *Para acoplar y desacoplar el sistema de transmisión en la página 45*.
2. Empuje la manilla hacia abajo.
3. Empuje o tire el producto por la manilla.
4. Acople el sistema de transmisión. Consulte *Haga lo siguiente antes de usar el producto en la página 44*. Con el motor apagado, esto tiene la función de un freno de estacionamiento y evita el movimiento accidental del producto.

## Para mover el producto con sistema de transmisión



**ADVERTENCIA:** El producto es pesado y existe riesgo de lesiones si se cae. Tenga cuidado al moverse cerca del producto.



**ADVERTENCIA:** No levante el producto del suelo durante la operación.



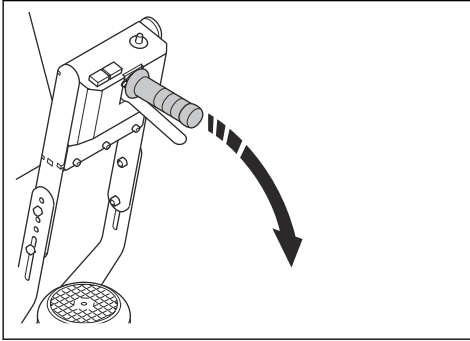
**ADVERTENCIA:** No mueva el producto hacia delante durante la operación.



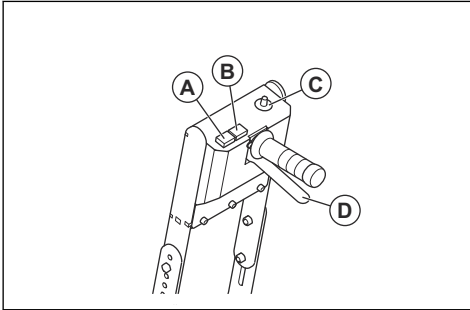
**ADVERTENCIA:** Use botas de protección con puntas de acero y suelas antideslizantes.

1. Acople el sistema de transmisión. Consulte *Para acoplar y desacoplar el sistema de transmisión en la página 45*.

2. Tire de la manilla hacia abajo para levantar el producto de la superficie.



3. Configure y ajuste la velocidad de movimiento con el selector de control de velocidad (C).



4. Empuje y mantenga la palanca del sistema de transmisión (D) para mover el producto hacia atrás.
5. Empuje y mantenga el botón de sobremarcha (A) para moverse a la velocidad máxima.
6. Empuje y mantenga el botón de avance (B) para mover el producto hacia delante.

## Para mover el producto hacia arriba y hacia abajo por una rampa



**ADVERTENCIA:** Tenga mucho cuidado al subir o bajar el producto por rampas. El producto es pesado y existe riesgo de lesiones si se cae o se mueve demasiado rápido.



**ADVERTENCIA:** Para rampas con una pendiente pronunciada, utilice siempre un cabrestante. No camine ni permanezca por debajo del producto.

- Para bajar el producto por una rampa, opere el producto lentamente hacia delante.
- Para subir el producto por una rampa, opere el producto lentamente hacia atrás.

- No gire el producto a la izquierda o a la derecha más de 45° en una rampa.

## Pasos para levantar el producto 1-10DS



**ADVERTENCIA:** Asegúrese de que el equipo de elevación tenga la especificación correcta para levantar el producto de forma segura. La placa de identificación del producto muestra el peso del producto.

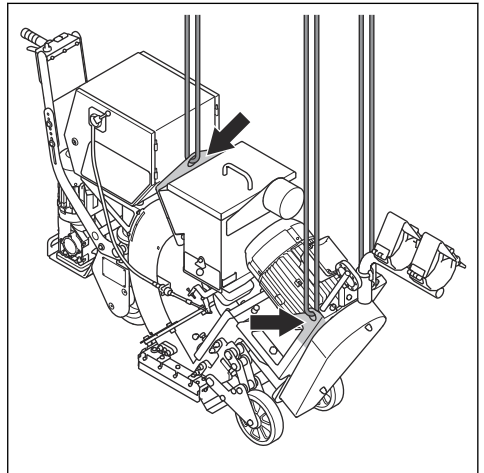


**ADVERTENCIA:** No camine ni permanezca por debajo del producto cuando esté levantado. Mantenga a los transeúntes alejados del área de trabajo.



**ADVERTENCIA:** No levante el producto si está dañado. Asegúrese de que el cáncamo esté correctamente instalado y de que no esté dañado.

1. Fije el equipo de elevación a los cáncamos.



2. Levante el producto con seguridad. Sujete el mango hasta que el producto se levante del suelo.

## Pasos para levantar el producto 1-15DS



**ADVERTENCIA:** Asegúrese de que el equipo de elevación tenga la especificación correcta para levantar el producto de forma segura. La placa de identificación del producto muestra el peso del producto.

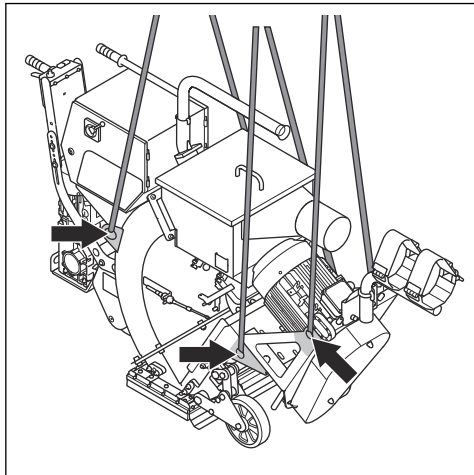


**ADVERTENCIA:** No camine ni permanezca por debajo del producto cuando esté levantado. Mantenga a los transeúntes alejados del área de trabajo.



**ADVERTENCIA:** No levante el producto si está dañado. Asegúrese de que el cáncamo esté correctamente instalado y de que no esté dañado.

1. Fije el equipo de elevación a los cáncamos.



2. Levante el producto con seguridad. Sujete el mango hasta que el producto se levante del suelo.

## Para fijar el producto a un vehículo de transporte

Utilice los cáncamos para sujetar el producto a un vehículo de transporte.

1. Coloque las correas de sujeción en los cáncamos.
2. Fije y apriete las correas de sujeción al vehículo de transporte.

## Almacenamiento



**PRECAUCIÓN:** No almacene el producto en exteriores. Siempre mantenga el producto en interiores.

- Mantenga el producto en un lugar seco y sin escarcha.
- Limpie el producto y realice un mantenimiento completo antes de almacenarlo.
- Mantenga el producto en un área cerrada para evitar que los niños u otras personas sin autorización puedan acceder a él.

- Retire el abrasivo del separador abrasivo.

## Eliminación del producto

- Obedezca las regulaciones vigentes y requisitos de reciclaje locales.
- Cuando el producto ya no se use, envíelo al distribuidor Husqvarna o deséchelo en un lugar de reciclaje.

## Datos técnicos

	1-10DS		1-15DS	
Potencia nominal, W	11745		15660	
Tensión nominal, V	480/277	240	480/277	240
Frecuencia, Hz	60			
Corriente nominal, A	19	38	26	52
Máxima capacidad de ascenso de limpieza, grados/%	8/14		10/18	
Peso, kg/lb	325/717		476/1050	
Dimensiones del producto, mm/in	1900x42x1050/75x16,5x41		1940x557x1120/76x22x44	
Tipo de cable de alimentación	AWG6			
Longitud del cable, m/pies	20/65			

**Nota:** Si su producto requiere una especificación eléctrica que no aparece en la tabla, comuníquese

con un taller de servicio Husqvarna para obtener más información.

## Emisiones de ruido y vibración

	1-10DS	1-15DS
<b>Emisión sonora</b>		
Nivel de potencia acústica medido LWA dB (A) <sup>1</sup>	99	99
Nivel de presión sonora en el oído del usuario, LP dB (A) <sup>2</sup>	85	85
<b>Niveles de vibración</b>		
Mango principal, m/s <sup>23</sup>	1,3	1,3
<sup>1</sup> Nivel de potencia acústica según EN ISO 3747. Medido en superficie de hormigón. Incertidumbre Kwa 2,5 dB <sup>2</sup> Nivel de presión sonora determinada según EN ISO 11202. Medido en superficie de hormigón. Incertidumbre Kpa 2,5 dB <sup>3</sup> Aceleración efectiva ponderada medida en el mango según EN ISO 20643. Medido en superficie de hormigón. Incertidumbre K 0,5 m/s <sup>2</sup>		

## Abrasivo aprobado

	Granalla de acero de alto carbono			Granalla de acero de alto carbono
Abrasivo aprobado	S-330	S-390	S-460*	SG25*



	Granalla de acero de alto carbono			Granalla de acero de alto carbono
in/mm	0,04/1,0	0,05/1,2	0,06/1,4	0,04/1,0
*operaciones especiales				

## Cables de extensión

Longitud del cable	Corte transversal a 240 V Cable SOOW (600 V)			
	≤15 A	≤30 A	≤60 A	≤100 A
Calculado en un GG <sup>1</sup> antes del fusible:	15 A	30 A	60 A	100 A
>20 m/66 ft	AWG12	AWG8	AWG4	AWG2
20 m/66 ft >50 m/146 ft	AWG10	AWG8	AWG4	AWG2
50 m/164 ft >75 m/246 ft	AWG8	AWG6	AWG2	AWG2
<sup>1</sup> Los cortes transversales se deben volver a calcular cuando se utiliza un fusible previo de otro tipo o de otra dimensión al que se proporciona.				

## Cables de extensión

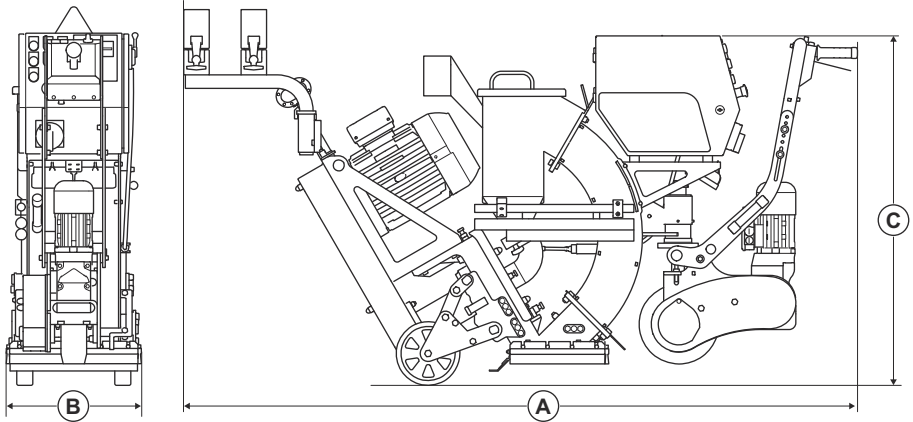
Longitud del cable	Corte transversal a 480V Cable SOOW (600 V)			
	≤15 A	≤30 A	≤60 A	≤100 A
Calculado en un GG <sup>1</sup> antes del fusible:	15 A	30 A	60 A	100 A
>20 m/66 ft	AWG14	AWG8	AWG4	AWG2
20 m/66 ft >50 m/164 ft	AWG12	AWG8	AWG4	AWG2
50 m/164 ft >75 m/246 ft	AWG12	AWG8	AWG4	AWG2
<sup>1</sup> Los cortes transversales se deben volver a calcular cuando se utiliza un fusible previo de otro tipo o de otra dimensión al que se proporciona.				

## Declaración de ruido y vibración

Estos valores declarados se obtuvieron mediante pruebas de laboratorio, en conformidad con la directiva o las normas declaradas, y son adecuados para compararlos con los valores declarados de otros productos probados en conformidad con la misma directiva o normas. Estos valores declarados no son

adecuados para su uso en evaluaciones de riesgos, y los valores medidos en lugares de trabajo individuales pueden ser superiores. Los valores de exposición reales y el riesgo de daños que experimente un usuario individual son únicos y dependen de la forma en que el usuario trabaja, del material en que se utiliza el producto, así como del tiempo de exposición y el estado físico del usuario, y del estado del producto.

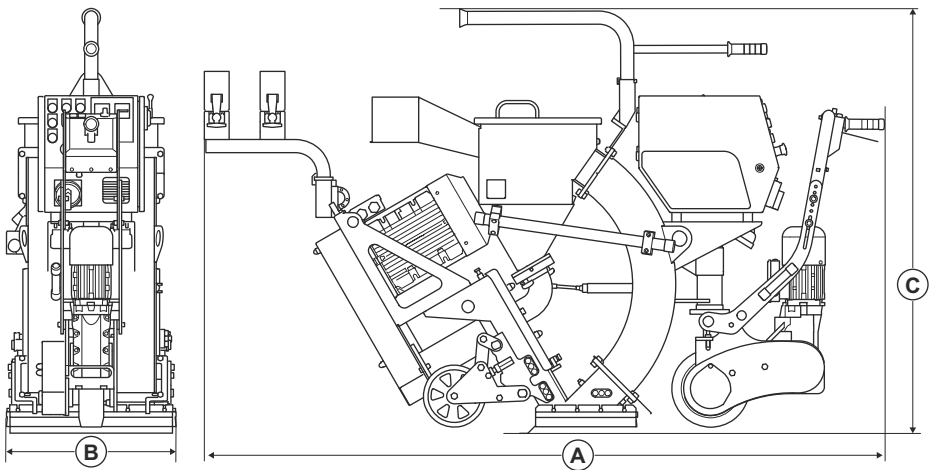
## Dimensiones del producto 1-10DS



<b>A</b>	Longitud, mm/in	1900/75
<b>B</b>	Ancho, mm/in	420/16,5

<b>C</b>	Altura, mm/in	1050/41
----------	---------------	---------

## Dimensiones del producto 1-15DS



<b>A</b>	Longitud, mm/in	1940/76
<b>B</b>	Ancho, mm/in	557/22

<b>C</b>	Altura, mm/in	1120/44
----------	---------------	---------

---

# Table des matières

---

Introduction.....	67	Dépannage.....	92
Sécurité.....	71	Transport, entreposage et mise au rebut.....	93
Fonctionnement.....	77	Caractéristiques techniques .....	97
Entretien.....	88	Données sur le bruit et les vibrations.....	97

---

## Introduction

---

### Responsabilité du propriétaire



#### **AVERTISSEMENT :** Des

opérations de coupe, de surfaçage ou de perçage du béton ou de la pierre, particulièrement lorsque les conditions sont sèches, génèrent de la poussière qui contient souvent de la silice. La silice est un composant de base du sable, du quartz, de la brique de l'argile, du granit et de nombreux autres pierres et minéraux. L'exposition à une quantité excessive de ces poussières peut entraîner :

une maladie respiratoire (réduisant la capacité à respirer), notamment la bronchite chronique, la silicose et la fibrose pulmonaire causée par l'exposition à la silice. Ces maladies peuvent être fatales;

Des irritations et éruptions cutanées.

Le cancer, selon le NTP (National Toxicology Program) et le CIRC (Centre international de Recherche sur le Cancer).

Prendre les précautions suivantes :

Éviter l'inhalation et le contact cutané avec les poussières, brouillards et fumées.

Porter et veiller à ce que les personnes à proximité portent un dispositif de protection respiratoire approprié, tel un masque antipoussière filtrant les particules microscopiques. (Voir OSHA 29 CFR Part 1926.1153)

Pour réduire au minimum les émissions de poussière, utiliser un extracteur de poussière approprié.

---

Il est de la responsabilité du propriétaire ou de l'employeur de s'assurer que l'utilisateur possède les connaissances nécessaires pour manipuler le produit en toute sécurité. Les superviseurs et les utilisateurs doivent avoir lu et compris le manuel d'utilisation. Ils doivent être conscients de ce qui suit :

- Les consignes de sécurité relatives au produit.
- L'éventail d'applications du produit et ses limites.
- La manière dont le produit doit être utilisé et entretenu.

Des règlements locaux ou nationaux pourraient limiter l'utilisation de ce produit. Découvrir les règlements en vigueur où le travail est exécuté avant d'utiliser le produit.

### Description du produit

Le produit est une grenailleuse à conducteur à pied actionnée par un moteur électrique. Le produit est doté de deux roues de grenailage qui projettent de l'abrasif métallique sur la surface. Le produit doit être raccordé à un extracteur de poussière approprié pendant le fonctionnement.

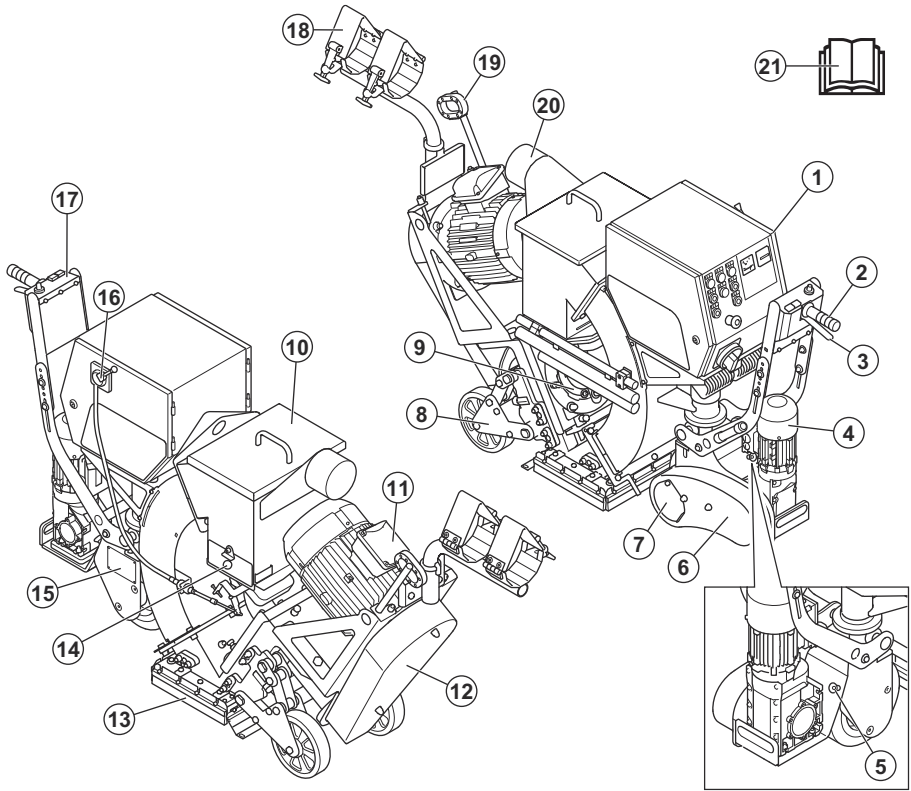
### Utilisation prévue

Le produit est utilisé pour enlever les couches de peinture, de produits d'étanchéité et de contaminants. Le produit peut être utilisé sur des surfaces horizontales sèches et sans givre. Par exemple, le béton, l'asphalte, la pierre et l'acier.

Le produit est utilisé dans les opérations commerciales par des opérateurs professionnels.

Ne pas utiliser l'outil pour d'autres tâches.

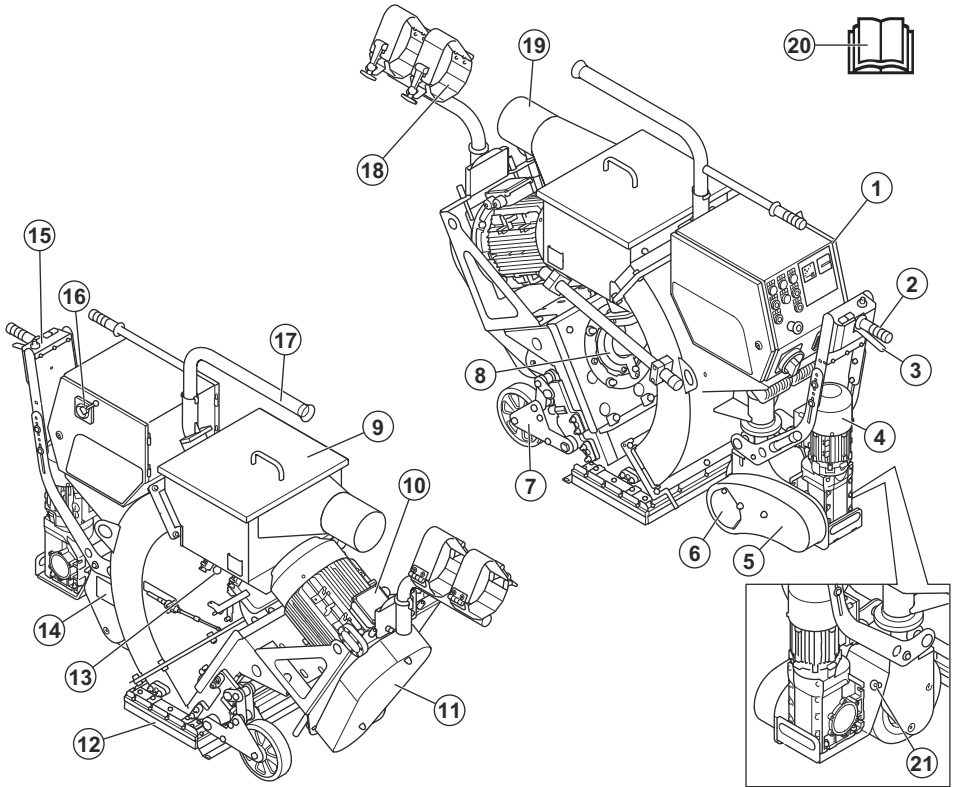
## Présentation du produit 1-10DS



1. Armoire électrique. Se reporter à la section *Armoire électrique et panneau de commande* à la page 70.
2. Poignée de direction
3. Levier de système d'entraînement
4. Moteur de système d'entraînement
5. Goupille à dégagement rapide
6. Couvercle de système d'entraînement
7. Protège-chaîne
8. Roues arrière
9. Cage de commande
10. Couvercle de séparateur
11. Moteur de grenaillage

12. Couvercle de courroie trapézoïdale
13. Tête de grenaillage avec joints
14. Plateau séparateur
15. Plaque signalétique
16. Levier de commande d'abrasif
17. Panneau de commande. Se reporter à la section *Armoire électrique et panneau de commande* à la page 70.
18. Support du tuyau d'extracteur de poussière
19. Levier de mécanisme de levage
20. Raccord de l'extracteur de poussière
21. Manuel d'utilisation

## Présentation du produit 1-15DS

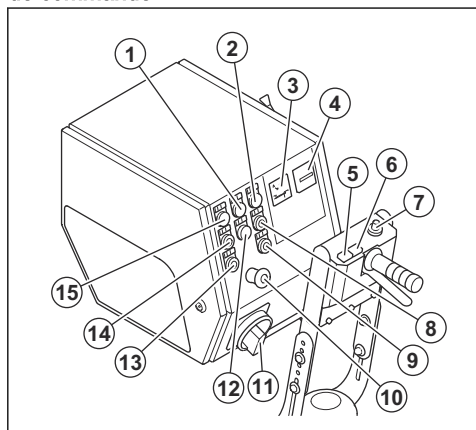


1. Armoire électrique. Se reporter à la section *Armoire électrique et panneau de commande à la page 70.*
2. Poignée de direction
3. Levier de système d'entraînement
4. Moteur de système d'entraînement
5. Couvercle de système d'entraînement
6. Protège-chaîne
7. Roues arrière
8. Cage de commande
9. Couvercle de séparateur
10. Moteur de grenailage
11. Couvercle de courroie trapézoïdale
12. Tête de grenailage avec joints
13. Plateau séparateur
14. Plaque signalétique
15. Panneau de commande. Se reporter à la section *Armoire électrique et panneau de commande à la page 70.*
16. Levier de commande d'abrasif

17. Guide de câble
18. Support du tuyau d'extracteur de poussière
19. Raccord de l'extracteur de poussière
20. Manuel d'utilisation
21. Goupille à dégagement rapide

## Armoire électrique et panneau de commande

### Aperçu de l'armoire électrique et du panneau de commande



1. Témoin d'avertissement de protection du moteur de granaillage/défaut d'alimentation
2. Voyant du moteur de granaillage
3. Ampèremètre
4. Compteur horaire
5. Bouton de vitesse surmultipliée
6. Bouton de marche avant
7. Molette de régulation du régime
8. Bouton ON (MARCHÉ) du moteur de granaillage
9. Bouton OFF (ARRÊT) du moteur de granaillage
10. Bouton d'arrêt d'urgence
11. Interrupteur ON/OFF (arrêt/marche)
12. Bouton ON/OFF (marche/arrêt) des feux de travail
13. Bouton OFF (ARRÊT) du panneau de commande
14. Bouton ON (MARCHÉ) du panneau de commande
15. Voyant du panneau de commande

### Symboles figurant sur le produit



Avertissement : Ce produit peut être dangereux et causer des blessures très graves, ou même mortelles, à l'utilisateur et à d'autres personnes. Faire attention et utiliser le produit correctement.



Haute tension.



Tenir toutes les parties du corps à l'écart des surfaces chaudes.



Point de levage.



Tenir les mains à l'écart des pièces en rotation.



Lire attentivement le manuel et veiller à bien comprendre les directives avant d'utiliser l'outil.



Utiliser une protection respiratoire adéquate.



Porter un dispositif de protection homologué pour les oreilles.



Utiliser un dispositif de protection homologué pour les yeux.



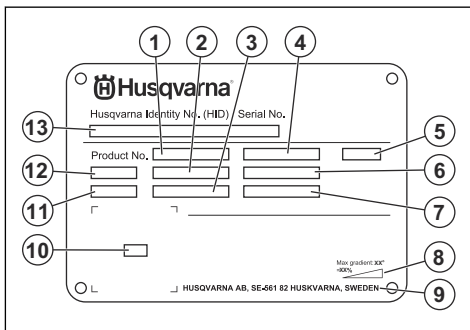
Utiliser des gants de protection homologués.



Porter des bottes de protection homologuées.

**Remarque :** Les autres symboles et autocollants apposés sur le produit se rapportent aux exigences en matière de certification pour certains marchés.

### Plaque signalétique



1. Numéro du produit
2. Poids du produit
3. Puissance nominale
4. Tension nominale
5. Boîtier
6. Intensité nominale
7. Fréquence
8. Angle de pente maximal
9. Fabricant
10. Code à numériser
11. Année de production
12. Modèle
13. Numéro de série

## Responsabilité concernant le produit

Comme indiqué dans les lois en vigueur sur la responsabilité concernant les produits, nous ne serons pas tenus responsables des dommages que notre produit causerait dans les situations suivantes :

- Le produit n'est pas réparé de façon adéquate.
- Le produit est réparé avec des pièces qui ne sont pas fournies ou homologuées par le fabricant.
- Le produit comprend un accessoire qui n'est pas fourni ou homologué par le fabricant.
- Le produit n'est pas réparé par un centre de service après-vente agréé ou par une autorité homologuée.

---

## Sécurité

---

### Définitions relatives à la sécurité

Les avertissements, recommandations et remarques soulignent des points du manuel qui revêtent une importance particulière.



**AVERTISSEMENT :** Indique la présence d'un risque de blessure ou de décès de l'utilisateur ou de personnes à proximité si les instructions du manuel ne sont pas suivies.



**MISE EN GARDE :** Indique la présence d'un risque de dommages au produit, à d'autres appareils ou à la zone adjacente si les instructions du manuel ne sont pas suivies.

**Remarque :** Utilisé pour donner des renseignements plus détaillés qui sont nécessaires dans une situation donnée.

### Consignes générales de sécurité



**AVERTISSEMENT :** Lire les messages d'avertissement qui suivent avant d'utiliser l'appareil.

- Ce produit est un outil dangereux s'il est utilisé de façon insouciant ou inappropriée. Cet outil peut causer des blessures graves, ou même mortelles, à l'utilisateur et à d'autres personnes. Il est obligatoire de lire et de comprendre le contenu de ce manuel d'utilisation avant d'utiliser l'outil.
- Le produit n'est pas destiné à être utilisé par des enfants ou des personnes aux capacités physiques, sensorielles ou mentales limitées ou manquant d'expérience et de connaissances.
- Conserver tous les avertissements et toutes les instructions.

- Se conformer à toutes les lois et réglementations en vigueur.
- L'utilisateur et l'employeur de l'utilisateur doivent connaître et prévenir les risques liés à l'utilisation du produit.
- Ne pas laisser une personne utiliser le produit à moins qu'elle ait lu et compris le contenu de ce manuel d'utilisation.
- Ne pas faire fonctionner le produit sans avoir reçu une formation relative à son fonctionnement. S'assurer que tous les utilisateurs reçoivent une formation.
- Ne pas laisser un enfant utiliser l'outil.
- Seules les personnes autorisées peuvent utiliser le produit.
- L'utilisateur est responsable des accidents survenus à d'autres personnes ou à leurs biens.
- Ne pas utiliser le produit en cas de fatigue ou sous l'emprise de l'alcool, de drogues ou de médicaments.
- Toujours rester prudent et faire preuve de bon sens.
- Toujours garder le produit propre. S'assurer de pouvoir lire clairement les signes et les autocollants.
- Ne pas utiliser le produit s'il est endommagé ou s'il ne fonctionne pas correctement.
- Ne pas modifier ce produit.
- Ne pas utiliser le produit s'il est possible que d'autres personnes aient apporté des modifications à celui-ci.

### Consignes de sécurité pour l'utilisation



**AVERTISSEMENT :** Lire les messages d'avertissement qui suivent avant d'utiliser l'appareil.

- Utiliser un équipement de protection personnelle. Se reporter à la section *Équipement de protection personnelle* à la page 73.

- Une surexposition aux vibrations peut entraîner des problèmes circulatoires ou des troubles nerveux, en particulier chez les personnes ayant des troubles circulatoires. En cas de symptômes liés à une surexposition aux vibrations, consulter un médecin. Ces symptômes sont les suivants : engourdissement, perte de sensibilité, fourmillement, picotement, douleur, faiblesse musculaire, décoloration ou modification de l'épiderme. Ces symptômes apparaissent habituellement aux doigts, aux mains et aux poignets.
- Ne pas faire fonctionner le produit sans tous les dispositifs de protection et couvercles installés.
- S'assurer de savoir comment arrêter rapidement le moteur en cas d'urgence.
- Avant de s'éloigner du produit, arrêter le moteur et débrancher le cordon d'alimentation. S'assurer qu'il n'y a pas de risque de démarrage accidentel.
- S'assurer que les vêtements, les cheveux longs et les bijoux ne peuvent pas se coincer dans les pièces en mouvement.
- S'assurer d'être dans une position stable et sécuritaire au cours du travail.
- S'assurer qu'il n'y a pas de boulons et d'écrous desserrés.
- Ne pas soulever ni incliner la tête de grenaillage pendant le fonctionnement. L'abrasif sort du produit à haute vitesse et peut causer des blessures. Toujours débrancher la fiche d'alimentation avant de soulever ou d'incliner le produit.
- S'assurer que le séparateur et le plateau séparateur sont fermés pendant le fonctionnement.
- Ne pas utiliser l'outil s'il n'est pas possible d'obtenir de l'aide en cas d'accident.
- Toujours utiliser des accessoires approuvés. Pour obtenir de plus amples renseignements, communiquez avec votre concessionnaire Husqvarna.
- Si le produit se met à vibrer ou si son niveau sonore est anormalement élevé, arrêter immédiatement le produit. Déconnecter la fiche d'alimentation. Examiner le produit pour détecter d'éventuels dommages. Réparer les dommages ou laisser un atelier spécialisé faire la réparation.
- Toujours raccorder le produit à un extracteur de poussière pour éliminer la poussière.
- Ne pas tirer sur le tuyau de l'extracteur de poussière. Le produit peut alors tomber et provoquer des blessures ou des dommages.
- Maintenir l'extracteur de poussière en place jusqu'à ce que le moteur s'arrête complètement.
- Toujours manœuvrer le produit en se plaçant derrière, les deux mains sur le guidon.
- S'assurer qu'il n'y a pas de graisse ou d'huile sur les poignées.
- Assurez-vous que les joints de liste de brosses ne sont pas endommagés.
- Assurez-vous que les joints de liste de brosses sont installés à la bonne hauteur.
- Toujours utiliser un abrasif approuvé. Pour obtenir de plus amples renseignements, communiquez avec votre concessionnaire Husqvarna. Se reporter à la section *Abrasif approuvé à la page 98*.
- S'assurer que le moteur de grenailage tourne dans le bon sens de rotation. Le sens de rotation correct est indiqué par une flèche sur le carter moteur.

## Sécurité en matière de vibrations



**AVERTISSEMENT** : Lire les messages d'avertissement qui suivent avant d'utiliser l'appareil.

- Pendant le fonctionnement du produit, des vibrations sont transmises du produit à l'utilisateur. L'utilisation régulière et fréquente du produit peut provoquer ou augmenter les risques de blessures pour l'utilisateur. Des blessures peuvent se produire au niveau des doigts, des mains, des poignets, des bras, des épaules ou des nerfs, ou d'autres parties du corps ou affecter l'apport sanguin. Les blessures peuvent être invalidantes ou permanentes et peuvent augmenter progressivement au fil des semaines, des mois ou des années. Les blessures possibles incluent des dommages au système de circulation sanguine, au système nerveux, aux articulations et à d'autres structures corporelles.
- Des symptômes peuvent apparaître pendant l'utilisation du produit ou à d'autres moments. Si l'utilisateur présente des symptômes et continue à utiliser le produit, les symptômes peuvent augmenter ou devenir permanents. Si ces symptômes ou d'autres symptômes apparaissent, consulter un médecin :
  - Engourdissement, perte de sensation, fourmillement, picotement, douleur, brûlure, boursoufflement, raideur, sensation de lourdeur, perte de force, changements de couleur ou d'état de la peau.
- Les symptômes peuvent augmenter par temps froid. Porter des vêtements chauds et garder les mains au chaud et au sec lors de l'utilisation de l'outil dans des environnements froids.
- Procéder à l'entretien et à l'utilisation du produit comme indiqué dans le manuel d'utilisation pour maintenir les vibrations à un niveau acceptable.
- Le produit est doté d'un système d'amortissement des vibrations qui réduit les vibrations transmises à l'opérateur par les poignées. Laisser le produit faire le travail.
- Garder les mains sur la ou les poignées uniquement. Garder toutes les autres parties du corps à l'écart du produit.
- Arrêter immédiatement le produit en cas de fortes vibrations soudaines. Ne pas poursuivre le sciage avant d'avoir éliminé la cause des vibrations accrues.



## Protection contre la poussière



**AVERTISSEMENT** : Lire les messages d'avertissement qui suivent avant d'utiliser l'appareil.

- L'utilisation du produit peut soulever de la poussière dans les airs. La poussière peut provoquer des blessures graves et des problèmes de santé permanents. La poussière de silice est considérée comme une matière nocive par plusieurs autorités. Voici quelques exemples de problèmes de santé :
  - Maladies pulmonaires mortelles bronchite chronique, silicose et fibrose pulmonaire
  - Cancer
  - Malformations congénitales
  - Inflammation de la peau
- Utiliser un équipement adapté pour réduire la quantité de poussière et de fumées dans l'air et pour réduire la poussière sur les équipements de travail, les surfaces, les vêtements et les parties du corps. Les systèmes de collecte de poussière sont des exemples de dispositif de contrôle de la poussière. Dans la mesure du possible, réduire la quantité de poussière à la source. S'assurer que l'équipement est correctement installé et utilisé et que l'entretien régulier est effectué.
- Utiliser un dispositif de protection respiratoire homologué. S'assurer que la protection respiratoire convient aux matériaux dangereux dans la zone de travail.
- S'assurer que la circulation d'air est suffisante dans la zone de travail.

## Sécurité relative au bruit



**AVERTISSEMENT** : Lire les messages d'avertissement qui suivent avant d'utiliser l'outil.

- Des niveaux sonores élevés et une exposition prolongée au bruit peuvent entraîner une perte auditive due au bruit.
- Pour réduire au maximum le niveau sonore, procéder à l'entretien du produit et l'utiliser comme indiqué dans le manuel d'utilisation.
- Toujours porter un dispositif de protection pour les oreilles homologué lors de l'utilisation du produit.
- Rester attentif aux appels ou cris d'avertissement lors de l'utilisation d'un dispositif de protection pour les oreilles. Retirer le dispositif de protection pour les oreilles lorsque le produit est arrêté, sauf si une protection auditive est nécessaire en raison du niveau sonore dans la zone de travail.

## Équipement de protection personnelle



**AVERTISSEMENT** : Lire les messages d'avertissement qui suivent avant d'utiliser l'appareil.

- Toujours utiliser un équipement de protection personnelle homologué lors de l'utilisation de l'outil. Cet équipement de protection personnelle n'élimine pas complètement les risques de blessures, mais il peut en réduire la gravité en cas d'accident. Le revendeur aidera l'utilisateur à sélectionner les équipements de protection personnelle adéquats et indiquera comment les utiliser.
- Vérifier régulièrement l'état de l'équipement de protection personnelle.
- Porter un dispositif de protection homologué pour les oreilles.
- Utiliser un dispositif de protection respiratoire homologué.
- Porter un dispositif de protection pour les yeux homologué avec écrans latéraux.
- Porter des gants de protection.
- Utiliser des bottes à embout en acier et semelles antidérapantes.
- Porter des vêtements de travail homologués ou des vêtements ajustés équivalents avec des manches longues et des pantalons.

### Extincteur

- Garder un extincteur à proximité pendant le sciage.
- Utiliser un extincteur à poudre ou à dioxyde de carbone.

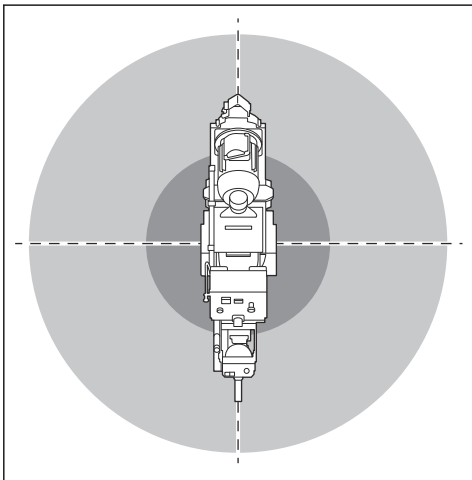
## Sécurité de l'aire de travail



**AVERTISSEMENT** : Lire les messages d'avertissement qui suivent avant d'utiliser l'appareil.

- Il incombe à l'utilisateur d'analyser la surface à traiter. L'utilisateur doit effectuer une évaluation des risques en fonction des renseignements obtenus sur la surface à traiter et prendre les précautions appropriées pour le travail à effectuer.
- Ne pas utiliser le produit dans le brouillard, la pluie, le vent violent, par temps froid, en cas de risque d'orage ou dans d'autres mauvaises conditions météorologiques.
- Rester à l'affût des personnes, des objets et des situations susceptibles d'entraver l'utilisation sécuritaire du produit.
- Ne pas utiliser ce produit dans des zones où un incendie ou des explosions peuvent se produire. Le produit provoque des étincelles et des matières inflammables peuvent mettre le feu à la poussière ou aux vapeurs.

- Tenir les enfants, les passants et les animaux à l'écart de la zone de travail et à une distance sécuritaire du produit. La distance sécuritaire est de 10 m/33 pi.



- S'assurer que les enfants, les passants et les animaux se trouvent à l'écart de la zone de travail et à une distance de sécurité du produit.
- S'assurer que seules les personnes autorisées se trouvent dans la zone de travail.
- Maintenir la zone de travail propre et bien éclairée. Les endroits sombres ou encombrés sont propices aux accidents.
- Retirer les objets comme les vis, les boulons, les câbles et les cailloux de la zone de travail avant d'utiliser le produit.
- S'assurer qu'aucun câble ni tuyau ne se trouve sur la trajectoire du produit.
- S'assurer que les surfaces inégales, comme les joints soudés ou les joints de plancher, n'arrêteront pas le produit.
- S'assurer que la circulation d'air est suffisante dans la zone de travail.

## Sécurité électrique



**AVERTISSEMENT** : Les appareils électriques comportent toujours un danger d'électrocution. Ne pas utiliser le produit dans des conditions climatiques défavorables. Ne pas toucher les paratonnerres et les objets métalliques. Utiliser toujours le produit comme indiqué dans ce manuel d'utilisation pour éviter les blessures.



**AVERTISSEMENT** : Utiliser toujours une alimentation avec un dispositif de protection contre les courants

résiduels (RCD). Le RCD réduit le risque de choc électrique.



**AVERTISSEMENT** : Haute tension. L'unité électrique contient des pièces non protégées. Toujours débrancher la prise d'alimentation avant d'ouvrir le panneau du boîtier électrique.



**AVERTISSEMENT** : Utiliser uniquement la prise de courant de la machine aux fins spécifiées dans les instructions.



**MISE EN GARDE** : L'alimentation électrique du produit ou du générateur doit être suffisamment puissante et constante pour que le moteur puisse fonctionner sans problème. Une tension incorrecte entraîne une augmentation de la consommation d'énergie et de la température du moteur jusqu'à ce que le circuit de sécurité se déclenche. La dimension du cordon d'alimentation doit être conforme aux réglementations nationales et locales. La dimension de la prise secteur doit correspondre à l'intensité de la prise électrique et du câble de rallonge du produit.

Si la prise secteur offre une résistance plus élevée, une chute de tension peut se produire lorsque le produit est mis en marche. Cela peut influencer sur le fonctionnement d'autres produits et occasionner par exemple le scintillement de l'éclairage.

- La fiche d'alimentation doit être adaptée à la prise. Ne jamais modifier la fiche. Ne jamais utiliser une fiche d'adaptation avec un outil électrique mis à la terre. Les fiches non modifiées et les prises adaptées à la fiche permettent de réduire les risques d'électrocution.
- Éviter d'entrer en contact avec les surfaces mises à la terre (tuyaux, radiateurs, cuisinières, réfrigérateurs, etc.). Le risque d'électrocution est plus important si le corps est mis à terre.
- S'assurer que l'alimentation, le fusible et la tension de secteur correspondent à la valeur indiquée sur la plaque signalétique du produit.
- Toujours arrêter le produit avant de débrancher la fiche d'alimentation.
- S'assurer que l'interrupteur de marche/arrêt est à la position OFF (arrêt) et que le produit est branché sur l'alimentation.
- Toujours débrancher la fiche d'alimentation pendant une interruption prolongée du produit.

- Ne pas utiliser le produit si le cordon d'alimentation ou la fiche d'alimentation sont endommagés. Afin d'éviter tout risque, si le cordon d'alimentation est endommagé, il doit être remplacé par le fabricant, un de ses ateliers spécialisés ou des personnes autrement qualifiées. Un cordon d'alimentation endommagé peut provoquer des blessures graves, voire mortelles.
- Utiliser le cordon d'alimentation de manière adéquate. Ne pas utiliser le cordon d'alimentation pour déplacer, tirer ou remplacer le produit. Tirer la fiche d'alimentation pour déconnecter le cordon d'alimentation. Ne pas tirer le cordon d'alimentation.
- Utiliser le produit uniquement sur des surfaces sèches.
- Garder le produit à l'écart de la pluie. L'eau qui entre dans le produit augmente le risque d'électrocution.
- Toujours débrancher le cordon d'alimentation avant de brancher ou de débrancher le câble du moteur et le boîtier électrique.
- Afin d'éviter tout risque de réinitialisation accidentelle de l'interrupteur thermique, cet appareil ne doit pas être alimenté par un dispositif d'interruption externe, comme une minuterie, ni connecté à un circuit régulièrement mis sous tension ou hors tension par le service public.
- S'assurer que l'alimentation du produit est fournie par des transformateurs distincts utilisés à des fins industrielles seulement.

#### Instructions de mise à la terre du produit



**AVERTISSEMENT** : Un mauvais branchement peut engendrer un risque d'électrocution. Communiquer avec un électricien certifié en cas de doute sur la mise à la terre de la prise d'alimentation secteur.

Ne pas modifier la spécification d'usage de la fiche d'alimentation. Si la fiche d'alimentation ou le cordon d'alimentation est endommagé ou doit être remplacé, communiquez avec votre atelier spécialisé Husqvarna. Respecter les lois et règlements locaux.

Si on ne comprend pas bien les instructions de mise à la terre du produit, communiquer avec un électricien agréé.

N'utiliser que des câbles de rallonge d'extérieur mis à la terre dotés de fiches mises à la terre et des prises mises à la terre compatibles avec la fiche d'alimentation du produit.

Le produit est doté d'un cordon d'alimentation et d'une fiche d'alimentation mis à la terre. Toujours brancher le produit sur une prise d'alimentation secteur mise à la terre. Cela réduit le risque de choc électrique.

Ne pas utiliser d'adaptateurs électriques avec le produit.

#### Rallonges

- Utiliser uniquement des câbles de rallonge approuvés dotés des caractéristiques appropriées.
- La valeur nominale inscrite sur la rallonge doit être identique ou supérieure à celle indiquée sur la plaque signalétique du produit.
- Utiliser des rallonges mises à la terre.
- Quand le produit est utilisé à l'extérieur, se servir d'une rallonge qui convient à un fonctionnement à l'extérieur. Cela réduit le risque de choc électrique.
- Maintenir la connexion à la rallonge au sec et éloignée du sol.
- Tenir la rallonge à l'écart de la chaleur, de l'huile, des bords tranchants et des pièces mobiles. Un câble endommagé augmente le risque de choc électrique.
- S'assurer que la rallonge est en bon état et qu'elle n'est pas endommagée.
- Ne pas utiliser la rallonge quand elle est enroulée. Elle pourrait surchauffer.
- S'assurer que le câble de rallonge ne se trouve pas sur le passage de la machine en marche. Cela évite d'endommager la rallonge.

#### Dispositifs de sécurité sur l'outil



**AVERTISSEMENT** : Lire les messages d'avertissement qui suivent avant d'utiliser l'appareil.

- Ne pas utiliser le produit si les dispositifs de sécurité ne sont pas en bon état d'utilisation.
- Vérifier quotidiennement les dispositifs de sécurité. Si vos dispositifs de sécurité ne sont pas en bon état d'utilisation ou s'ils sont endommagés, communiquer avec un atelier spécialisé Husqvarna.
- Ne pas modifier les dispositifs de sécurité.

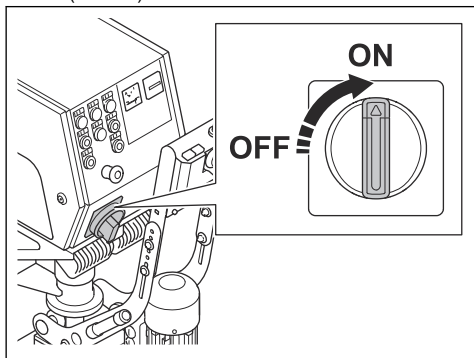
#### Interrupteur ON/OFF (arrêt/marche)

L'interrupteur de marche/arrêt sert à démarrer et arrêter l'alimentation du produit.

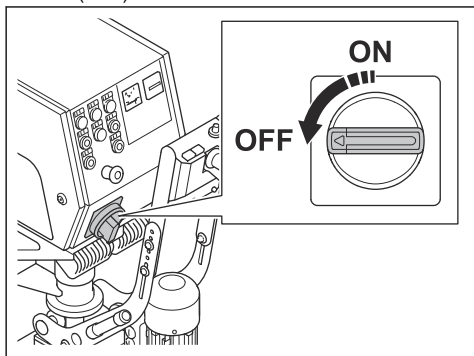
#### Vérification de l'interrupteur ON/OFF (Marche-Arrêt)

1. Tourner le bouton d'arrêt d'urgence dans le sens horaire pour s'assurer qu'il est désengagé.

2. Tourner l'interrupteur de marche/arrêt à la position ON (marche).



3. S'assurer que l'alimentation démarre.
4. Tourner l'interrupteur de marche/arrêt à la position OFF (arrêt).



5. S'assurer que l'alimentation s'arrête.

### Boutons de marche/arrêt du panneau de commande

Les boutons de marche/arrêt du panneau de commande servent à engager et désengager le panneau de commande.

### Pour vérifier les boutons de marche/arrêt du panneau de commande

Se reporter à la section *Aperçu de l'armoire électrique et du panneau de commande* à la page 70 pour obtenir des renseignements sur l'emplacement des boutons de marche/arrêt sur votre produit.

1. Tourner le bouton d'arrêt d'urgence dans le sens horaire pour s'assurer qu'il est désengagé.
2. Tourner l'interrupteur de marche/arrêt à la position ON (marche).
3. Appuyer sur le bouton ON (marche) du panneau de commande.
4. S'assurer que le voyant du panneau de commande s'allume.

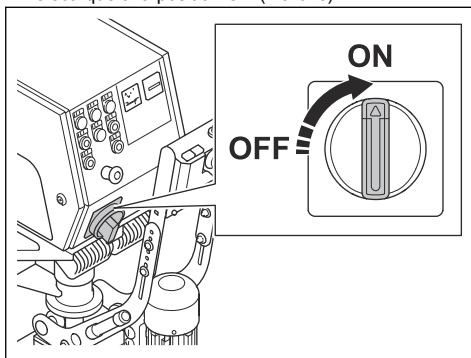
5. Appuyer sur le bouton OFF (marche) du panneau de commande. S'assurer que le voyant s'éteint.
6. Tourner l'interrupteur de marche/arrêt à la position OFF (arrêt).

### Boutons de marche/arrêt du moteur de grenailage

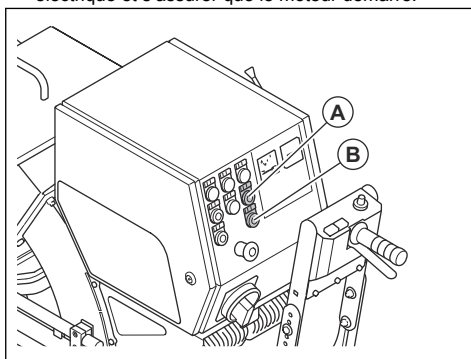
Les boutons de marche/arrêt du moteur de grenailage servent à démarrer et à arrêter le moteur de grenailage. Se reporter à la section *Pour vérifier les boutons ON/OFF (marche/arrêt) du moteur de grenailage* à la page 76.

### Pour vérifier les boutons ON/OFF (marche/arrêt) du moteur de grenailage

1. Placer l'interrupteur de marche/arrêt de l'armoire électrique à la position ON (marche).



2. Tourner le bouton d'arrêt d'urgence dans le sens horaire pour s'assurer qu'il est désengagé.
3. Démarrer le panneau de commande.
4. Appuyer sur le bouton ON (marche) (A) sur l'armoire électrique et s'assurer que le moteur démarre.



5. Appuyer sur le bouton OFF (arrêt) (B) sur l'armoire électrique et s'assurer que le moteur s'arrête.

## Ampèremètre

L'ampèremètre affiche la charge de grenailage sur la surface. L'intensité maximale est indiquée au-dessus de l'ampèremètre.

### Pour vérifier l'ampèremètre

Se reporter à la section *Aperçu de l'armoire électrique et du panneau de commande à la page 70* pour obtenir des renseignements sur l'emplacement de l'ampèremètre sur votre produit.

1. Démarrer l'outil. Se reporter à la section *Mise sous tension de l'appareil à la page 84*.
2. Attendre que l'ampèremètre soit en position de ralenti.
3. Éteindre le produit. Se reporter à la section *Arrêt de la machine à la page 87*.

### Bouton d'arrêt d'urgence

Le bouton d'arrêt d'urgence permet d'arrêter rapidement les moteurs.

### Pour vérifier le bouton d'arrêt d'urgence

Reportez-vous à la section *Aperçu de l'armoire électrique et du panneau de commande à la page 70* pour obtenir des renseignements sur l'emplacement du bouton d'arrêt d'urgence sur votre produit.

1. Tourner le bouton d'arrêt d'urgence dans le sens horaire pour s'assurer qu'il est désengagé.
2. Démarrer l'outil. Se reporter à *Mise sous tension de l'appareil à la page 84*.
3. Appuyer sur le bouton d'arrêt d'urgence.
4. S'assurer que le moteur s'arrête.
5. Tourner le bouton d'arrêt d'urgence dans le sens des aiguilles d'une montre pour le désengager.

## Consignes de sécurité pour l'entretien



**AVERTISSEMENT** : Lire les messages d'avertissement qui suivent avant d'utiliser l'appareil.

- N'effectuer que les travaux d'entretien indiqués dans ce manuel d'utilisation. Laisser un agent d'entretien agréé effectuer toutes les autres opérations d'entretien.
- Si la maintenance n'est pas effectuée correctement et régulièrement, le risque de blessures et de dommages sur l'outil augmente.
- Nettoyer le produit pour éliminer les matières dangereuses avant d'effectuer la maintenance.
- S'assurer d'effectuer l'entretien du produit sur un sol horizontal stable. S'assurer que le produit ne peut pas se déplacer.
- Ne pas apporter de modifications à ce produit. Toute modification non approuvée par le fabricant peut entraîner des blessures graves, voire mortelles.
- Remplacer les pièces endommagées, usées ou brisées.
- Ne pas utiliser un nettoyeur à pression pour nettoyer le produit.
- Utiliser uniquement des chiffons de nettoyage non pelucheux.
- Toujours utiliser des accessoires et des pièces de rechange d'origine. Les accessoires et les pièces de rechange qui ne sont pas approuvés par le fabricant peuvent causer des blessures graves, voire mortelles.
- Après l'entretien, vérifier le niveau de vibrations du produit. En cas de problème, communiquer avec un atelier spécialisé agréé.
- Demander à un agent d'entretien agréé d'effectuer régulièrement l'entretien de l'outil.

## Fonctionnement

### Introduction



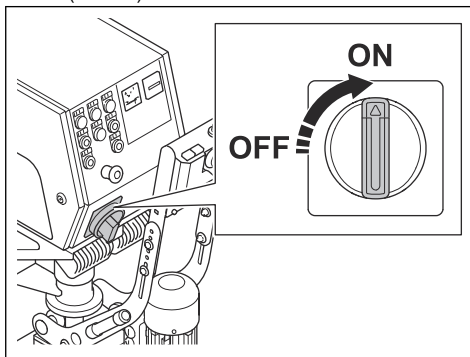
**AVERTISSEMENT** : Avant d'utiliser le produit, lire et bien comprendre le chapitre sur la sécurité.

### Avant d'utiliser le produit

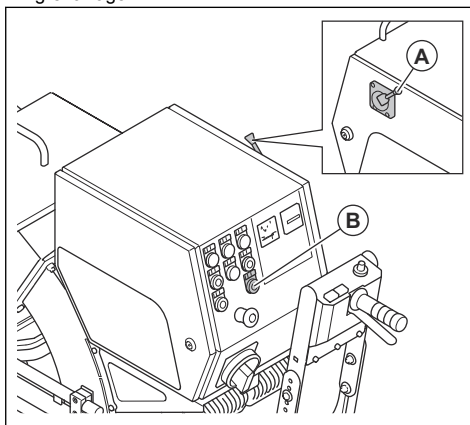
1. Lire attentivement le manuel d'utilisation et veiller à bien comprendre les directives.
2. Lire attentivement le manuel d'utilisation de l'extracteur de poussière et veiller à bien comprendre les directives.
3. Si le produit est utilisé en étant branché sur une source d'alimentation, s'assurer de lire et de comprendre le manuel de l'opérateur de cette source d'alimentation.
4. Utiliser un équipement de protection personnelle. Se reporter à la section *Équipement de protection personnelle à la page 73*.
5. S'assurer que seules les personnes autorisées se trouvent dans la zone de travail.
6. Effectuer l'entretien quotidien. Se reporter à la section *Calendrier d'entretien à la page 88*.
7. S'assurer que le produit est correctement monté et qu'il n'est pas endommagé.
8. S'assurer que toutes les vis, tous les écrous et tous les boulons sont bien serrés.
9. S'assurer que les roues de grenailage, les becs d'alimentation, les revêtements et les joints ne sont ni endommagés ni usés. Remplacer les pièces lorsque 75 % de l'épaisseur de lame est disparue.
10. S'assurer que le séparateur n'est pas endommagé.

11. S'assurer que le séparateur est rempli d'abrasif jusqu'au plateau séparateur.
12. Placer le produit sur la zone de travail. S'assurer que la surface est de niveau. S'assurer que le transport du produit vers et dans la zone de travail est effectué correctement et en toute sécurité. Se reporter à la section *Transport à la page 93*.
13. Brancher un extracteur de poussière sur le produit. Se reporter à la section *Branchement de l'extracteur de poussière à la page 83*.
14. S'assurer que l'interrupteur de marche/arrêt est à la position OFF (arrêt) avant de brancher le produit sur l'alimentation.
15. Brancher le produit à une source d'alimentation. Se reporter à la section *Pour brancher le produit à une source d'alimentation à la page 83*.
16. S'assurer que la hauteur des joints à brosse est de 1 mm/0,04 po au-dessus de la surface.
17. S'assurer que la hauteur des joints magnétiques est de 8 à 10 mm/0,3 à 0,4 po au-dessus de la surface.

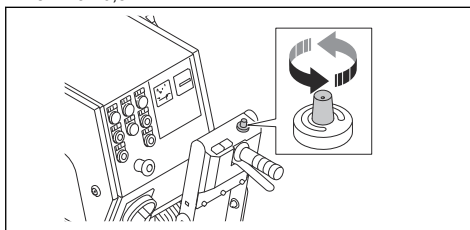
1. Tourner l'interrupteur de marche/arrêt à la position ON (marche).



2. Appuyer sur le levier de commande d'abrasif (A) pour fermer la soupape d'abrasif. Appuyer sur le bouton OFF (arrêt) (B) pour arrêter le moteur de grenailage.



3. Régler la vitesse de déplacement au maximum, soit environ 0,5.



## Système d'entraînement

Le système d'entraînement est utilisé pendant le fonctionnement et permet de déplacer le produit avec la roue de traction. Se reporter à la section *Pour déplacer le produit avec le système d'entraînement à la page 94*.

Toujours enclencher le système d'entraînement pendant le fonctionnement.

## Pour engager et désengager le système d'entraînement



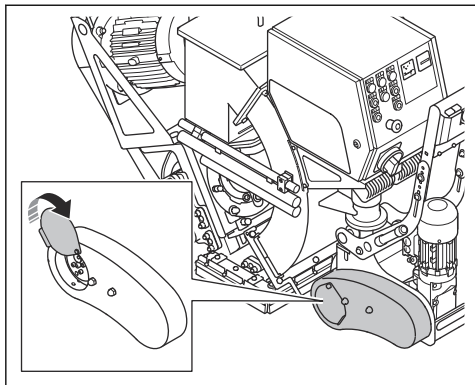
**AVERTISSEMENT :** Tenir les mains à l'écart des pièces rotatives. Faire preuve d'une extrême prudence au moment de fixer la goupille à dégagement rapide.



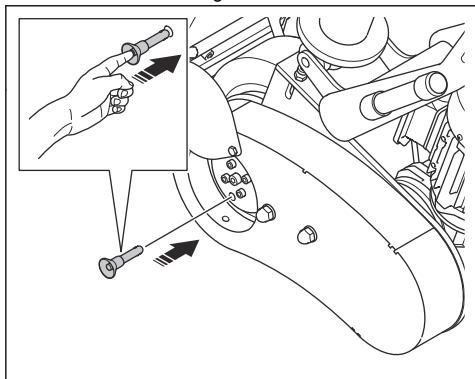
**MISE EN GARDE :** Ne désengager le système d'entraînement que si le produit est stationné sur un sol plat.

S'il est nécessaire de déplacer le produit manuellement lorsque le moteur est arrêté, le système d'entraînement doit être désengagé. Le système d'entraînement est désengagé et engagé par la goupille à dégagement rapide. La goupille à dégagement rapide se trouve au dessus de la roue de traction. Se reporter à la section *Présentation du produit 1-10DS à la page 68* ou *Présentation du produit 1-15DS à la page 69*.

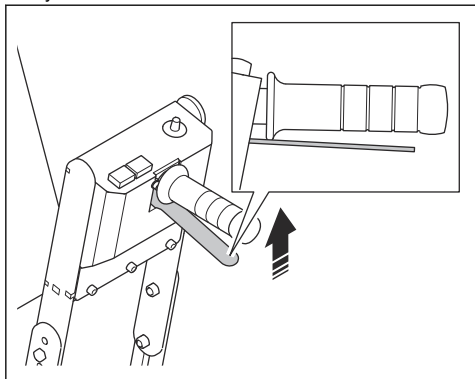
4. Ouvrir le couvercle de la chaîne d'entraînement.



5. Installer la goupille à dégagement rapide. Appuyez sur la goupille à dégagement rapide et la maintenir enfoncée avec un doigt.

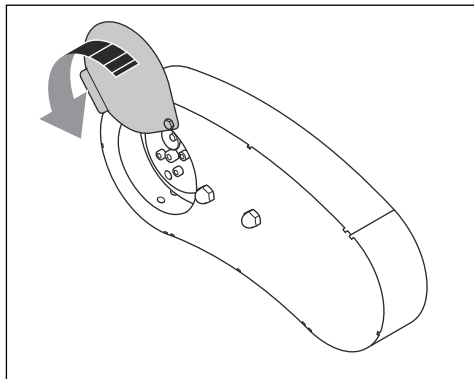


6. Utiliser l'autre main pour actionner le levier du système d'entraînement.



La goupille à dégagement rapide se verrouille en position lorsque le système d'entraînement est engagé.

7. Fermer le couvercle de la chaîne d'entraînement.



8. Pour désengager le système d'entraînement, retirer la goupille à dégagement rapide.

## Soupape d'abrasif

La soupape d'abrasif contrôle le débit des jets d'abrasif vers la roue de grenailage. Le réglage de la soupape abrasive est indiqué sur l'ampèremètre. Se reporter à la section *Ampèremètre* à la page 77.

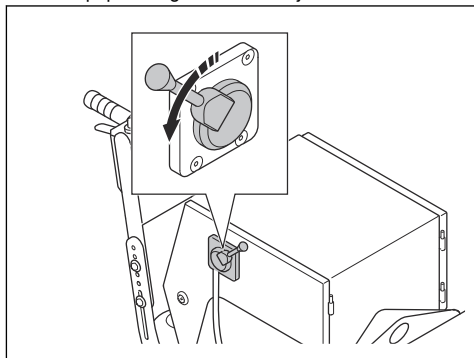
La soupape abrasive est réglée à l'aide du levier de commande d'abrasif. Se reporter à la section *Pour actionner la soupape d'abrasif* à la page 79.

## Pour actionner la soupape d'abrasif

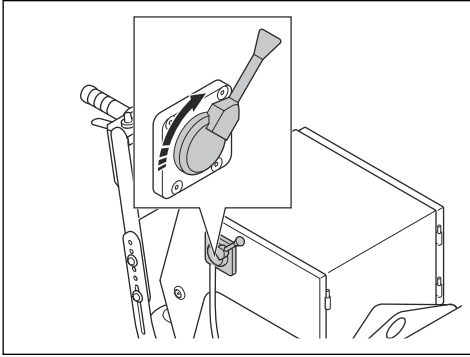


**MISE EN GARDE :** N'ouvrir la soupape d'abrasif que lorsque le moteur de grenailage est en marche.

1. Tirer sur le levier de commande d'abrasif pour ouvrir la soupape et régler le débit du jet d'abrasif.



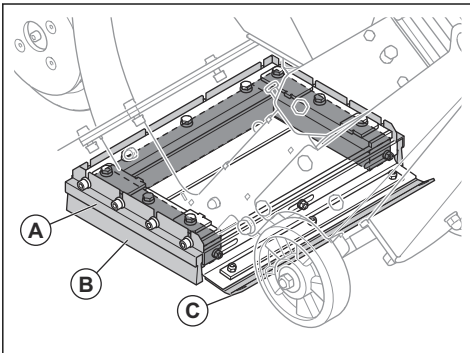
2. Pousser le levier de commande d'abrasif pour fermer la soupape et régler le débit du jet d'abrasif.



### Joint d'étanchéité d'abrasif

Le joint d'étanchéité d'abrasif assure que l'abrasif reste dans le produit pendant le fonctionnement. Le joint d'étanchéité d'abrasif est doté de joints magnétiques (A) sur les côtés et à l'avant du boîtier de grenailage. Les listes de brosses (B) sont fixées autour des joints magnétiques. Le joint de protection (C) se déplace sur la surface.

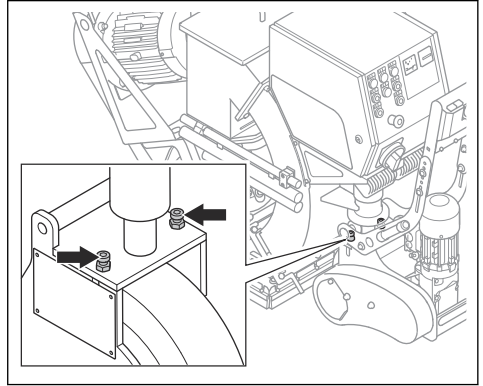
Le joint de protection (C) se déplace sur la surface.



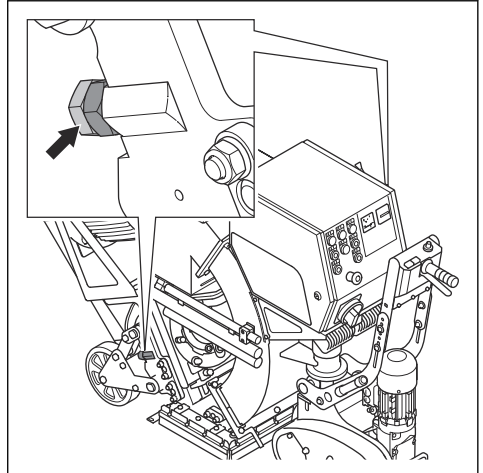
### Réglage de la hauteur des joints magnétiques

La hauteur des joints magnétiques doit être réglée de 8 à 10 mm (0,3 à 0,4 po) au-dessus de la surface.

1. Desserrer les 2 vis de réglage à l'avant pour régler la hauteur.



2. Desserrer les 2 vis de réglage à l'arrière pour régler la hauteur.



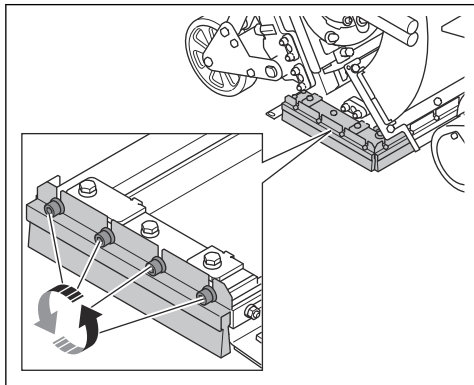
3. Serrer les vis.

### Réglage de la hauteur des joints de liste de brosse

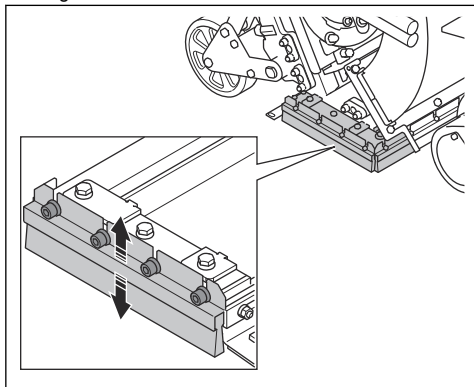
La hauteur des listes de brosses doit être réglée à 1 mm (0,04 po) au-dessus de la surface.



1. Desserrer les 4 vis qui maintiennent la liste de brosse.



2. Régler la hauteur de la liste de brosse.



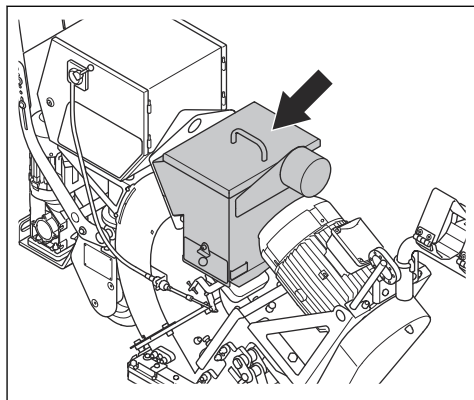
3. Serrer les 4 vis.

## Abrasif

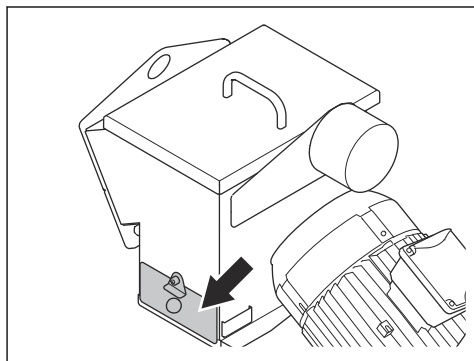
Consultez votre concessionnaire Husqvarna pour la sélection de l'abrasif approprié à la surface traitée. Se reporter à la section *Abrasif approuvé* à la page 98.

## Séparateur d'abrasif 1-10DS

Le séparateur d'abrasif rend l'abrasif exempt de contamination. Le séparateur d'abrasif retient l'abrasif et fournit l'abrasif à la roue de grenailage.

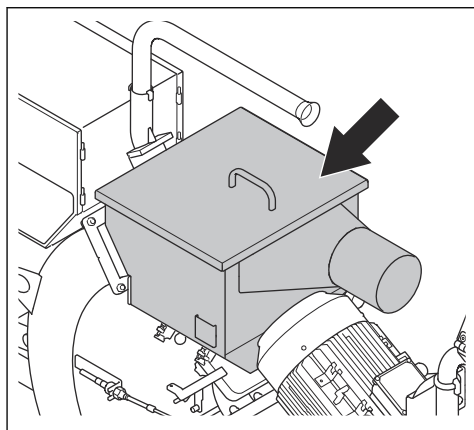


Le plateau séparateur empêche la contamination de l'abrasif et de la roue de grenailage.

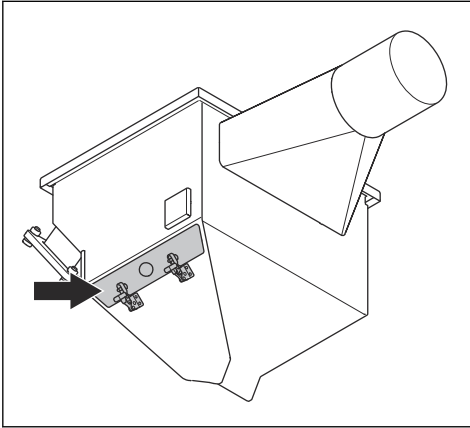


## Séparateur d'abrasif 1-15DS

Le séparateur d'abrasif rend l'abrasif exempt de contamination. Le séparateur d'abrasif retient l'abrasif et fournit l'abrasif à la roue de grenailage.



Le plateau séparateur empêche la contamination de l'abrasif et de la roue de grenailage.

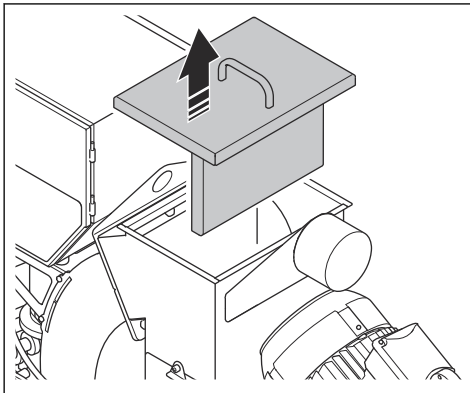


## Remplissage du produit d'abrasif 1-10DS

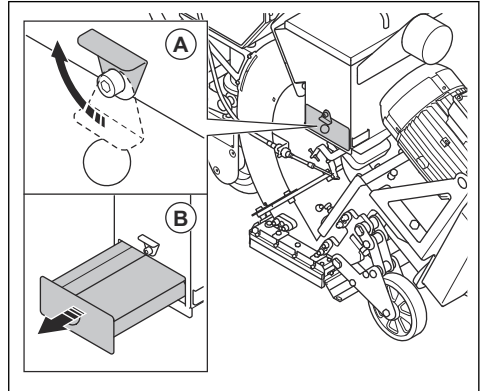


**AVERTISSEMENT :** Toujours utiliser un équipement de protection personnelle lors de l'utilisation. Se reporter à la section *Équipement de protection personnelle* à la page 73.

1. S'assurer que la soupape d'abrasif est fermée. Se reporter à la section *Pour actionner la soupape d'abrasif* à la page 79.
2. Retirer le couvercle du séparateur.



3. Ouvrir le loquet (A) et retirer le plateau séparateur (B).



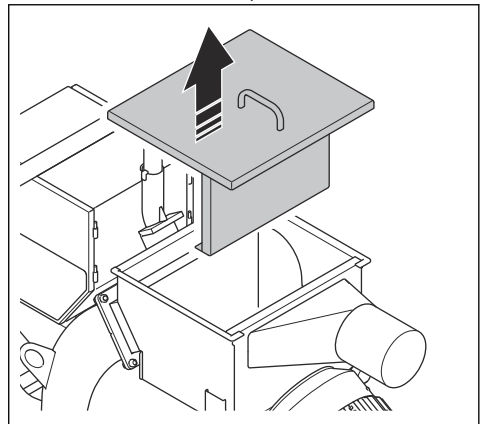
4. Retirer toutes les contaminations du plateau séparateur lors du remplissage de l'abrasif ou lorsque cela est nécessaire.
5. Remplir le séparateur d'abrasif jusqu'au plateau séparateur. Remplir d'abrasif au besoin.

## Remplissage du produit d'abrasif 1-15DS

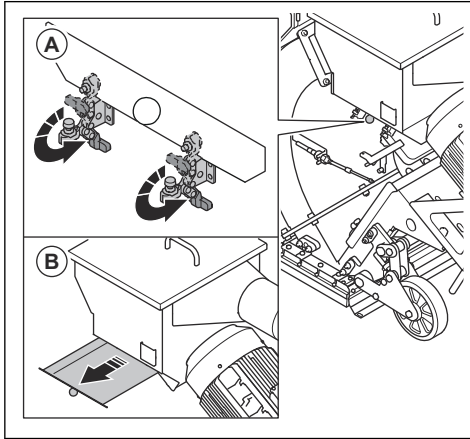


**AVERTISSEMENT :** Toujours utiliser un équipement de protection personnelle lors de l'utilisation. Se reporter à la section *Équipement de protection personnelle* à la page 73.

1. S'assurer que la soupape d'abrasif est fermée. Se reporter à la section *Pour actionner la soupape d'abrasif* à la page 79.
2. Retirer le couvercle du séparateur.



- Ouvrir les 2 pinces (A) et extraire le plateau séparateur (B).



- Retirer toutes les contaminations du plateau séparateur lors du remplissage de l'abrasif ou lorsque cela est nécessaire.
- Remplir le séparateur d'abrasif jusqu'au plateau séparateur. Remplir d'abrasif au besoin.

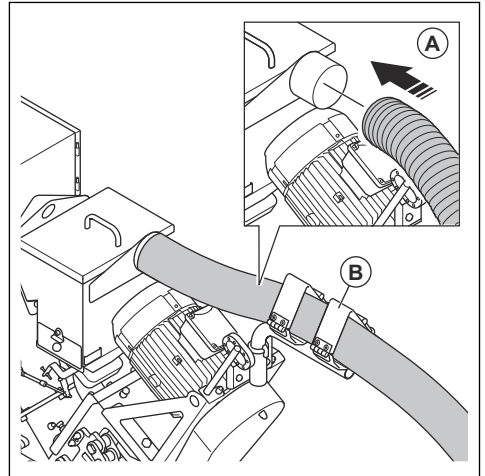
## Branchement de l'extracteur de poussière



**AVERTISSEMENT :** Ne pas utiliser l'extracteur de poussière si son tuyau est endommagé. Le risque de respirer de la poussière dangereuse pour la santé augmente. Utiliser un dispositif de protection respiratoire homologué.

- Vérifier que le tuyau de l'extracteur de poussière n'est pas endommagé.
- Veiller à ce que les filtres de l'extracteur de poussière soient en bon état et non endommagés.

- Fixer solidement le tuyau de l'extracteur de poussière au raccord de l'extracteur de poussière (A). Fixer les pièces à l'aide de l'outil fourni et de ruban industriel.



- Installer le tuyau d'extracteur de poussière dans le support du tuyau d'extracteur de poussière (B).

## Pour brancher le produit à une source d'alimentation

- Brancher la fiche d'alimentation du produit à une prise secteur mise à la terre ou à une autre source d'alimentation.
- Vérifier que la tension de secteur correspond à la valeur indiquée sur la plaque d'identification du produit.

## Témoin d'avertissement de protection des moteurs de grenailage/défaut d'alimentation

Le témoin d'avertissement de protection des moteurs de grenailage s'allume en cas de défaillance de l'alimentation électrique. Les moteurs de grenailage ne peuvent pas démarrer lorsque le témoin est allumé. Désactiver la protection pour démarrer les moteurs de grenailage. Se reporter à la section *Pour désactiver la protection des moteurs de grenailage* à la page 83.

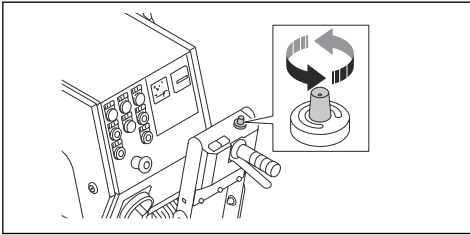
## Pour désactiver la protection des moteurs de grenailage

- Changer la position des phases.
- Vérifier le témoin de protection des moteurs de grenailage. Si le témoin est toujours allumé, le bloc d'alimentation est défectueux.
- Vérifier l'interrupteur de protection des moteurs dans le boîtier électrique.

4. Vérifier le témoin de protection des moteurs de grenailage. Si le témoin est toujours allumé, le bloc d'alimentation est défectueux.
5. Vérifier toutes les phases à l'aide d'un multimètre. Brancher les phases manquantes.
6. Démarrer les moteurs de grenailage. Se reporter à la section *Mise sous tension de l'appareil* à la page 84.
7. Vérifier le témoin de protection des moteurs de grenailage. Si le témoin est toujours allumé, communiquez avec votre atelier spécialisé Husqvarna.

## Sélection de la vitesse appropriée

Il est important d'effectuer le fonctionnement avec une vitesse d'entraînement correcte pour obtenir des résultats optimaux. Si la surface a une qualité différente, régler la vitesse d'entraînement pour obtenir un résultat égal. Examiner le résultat et régler la vitesse au besoin.

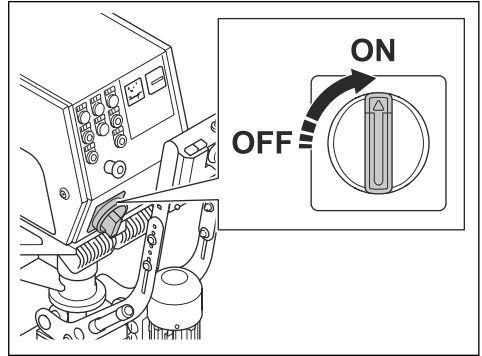


- Tourner la molette de régulation du régime dans le sens horaire pour augmenter la vitesse.
- Tourner la molette de régulation du régime dans le sens antihoraire pour réduire la vitesse.
  - a) Utiliser une vitesse d'entraînement de 6 à 10 sur les surfaces en béton pour un traitement léger.
  - b) Utiliser une vitesse d'entraînement de 0 à 5 sur les surfaces en béton pour un traitement intensif.
  - c) Utiliser une vitesse d'entraînement de 0 à 2 sur les surfaces en acier.

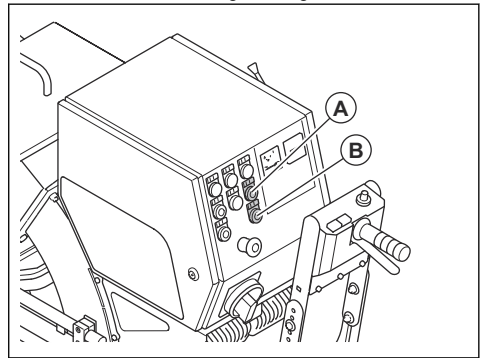
## Mise sous tension de l'appareil

1. Brancher le produit à une source d'alimentation. Se reporter à la section *Pour brancher le produit à une source d'alimentation* à la page 83.
2. Démarrer l'extracteur de poussière. Se reporter au manuel de l'opérateur de l'extracteur de poussière.
3. Fixer le tuyau de l'extracteur de poussière au produit. Se reporter à la section *Branchement de l'extracteur de poussière* à la page 83.
4. S'assurer que le bouton d'arrêt d'urgence est désengagé.

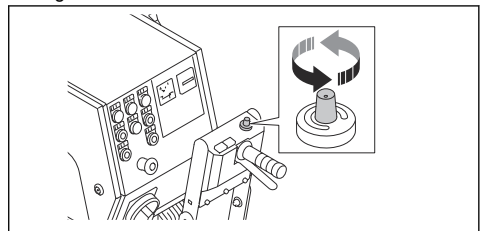
5. Tourner l'interrupteur de marche/arrêt à la position ON (marche).



6. Engager le système d'entraînement. Se reporter à la section *Pour engager et désengager le système d'entraînement* à la page 78.
7. Démarrer le panneau de commande.
8. Appuyer sur le bouton de mise en marche (A) pour démarrer le moteur de grenailage.



9. Attendre que l'ampèremètre soit en position de ralenti.
10. Tourner la molette de régulation du régime pour régler la vitesse d'entraînement.



## Utilisation du produit



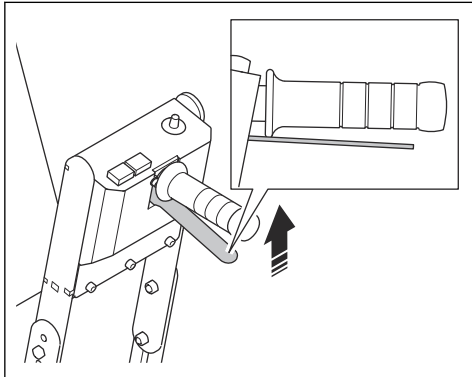
**AVERTISSEMENT :** Ce produit ne doit fonctionner qu'en marche arrière. Ne

pas déplacer le produit vers l'avant pendant le fonctionnement.



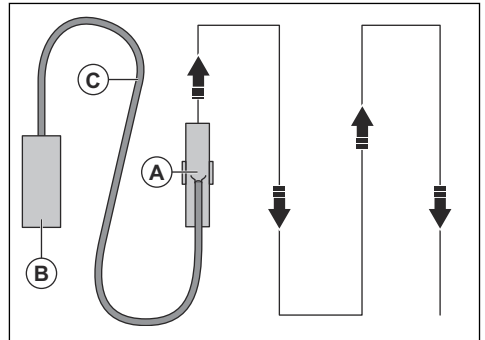
**AVERTISSEMENT** : Ne pas soulever le boîtier de grenailage pendant le fonctionnement. L'abrasif sort du produit à haute vitesse et peut causer des blessures.

1. S'assurer que la zone de travail est sans danger. Se reporter à la section *Sécurité de l'aire de travail* à la page 73.
2. Remplir le séparateur d'abrasif avec de l'abrasif. Remplir le séparateur d'abrasif au besoin. Se reporter à la section *Remplissage du produit d'abrasif 1-10DS* à la page 82 ou *Remplissage du produit d'abrasif 1-15DS* à la page 82.
3. Démarrer l'outil. Se reporter à la section *Mise sous tension de l'appareil* à la page 84.
4. Engager le système d'entraînement. Se reporter à la section *Pour engager et désengager le système d'entraînement* à la page 78.
5. Actionner le levier du système d'entraînement.



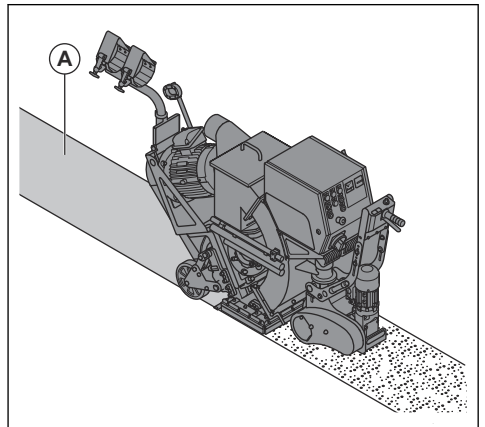
6. Tirer sur le levier de commande d'abrasif pour ouvrir la soupape d'abrasif. Se reporter à la section *Pour actionner la soupape d'abrasif* à la page 79.
7. Après 2 m (7 pi), fermer la soupape d'abrasif et arrêter le produit.
8. Vérifier le tracé d'abrasion. Régler le tracé d'abrasion au besoin. Se reporter à la section *Pour régler le tracé d'abrasion* à la page 86.
9. Sélectionner la vitesse appropriée. Se reporter à la section *Sélection de la vitesse appropriée* à la page 84.

10. Déplacer le produit (A) sur des voies parallèles. L'extracteur de poussière (B) doit être raccordé au produit (A) par le tuyau de l'extracteur de poussière (C).



### Tracé d'abrasion

Le tracé d'abrasion (A) est la surface qui a reçu le traitement.



Pour un bon résultat, la zone sensible doit être au centre du tracé d'abrasion. Si la zone sensible est trop à gauche ou à droite, tourner la cage de commande. Se reporter à la section *Pour régler le tracé d'abrasion* à la page 86.

Voici les conditions qui ont une incidence sur le tracé d'abrasion :

- Le sens de rotation de la roue de grenailage est correct.
- Usure accrue de la roue de grenailage, de la roue à ailettes et de la cage de commande.
- La dimension de l'abrasif. Le tracé d'abrasion doit être réglé lors du changement de dimension.
- La position de la fenêtre latérale dans la cage de commande.
- Différents types de surfaces et dureté de la surface.

## Pour régler le tracé d'abrasion

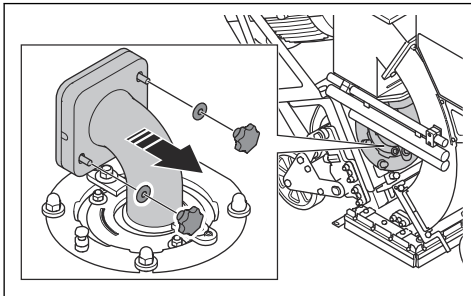


**AVERTISSEMENT** : Ne pas régler, desserrer ou toucher les pinces de la cage, le bec verseur et la roue de grenailage lorsque le produit est en marche. Débrancher la source d'alimentation lors du réglage du tracé d'abrasion.

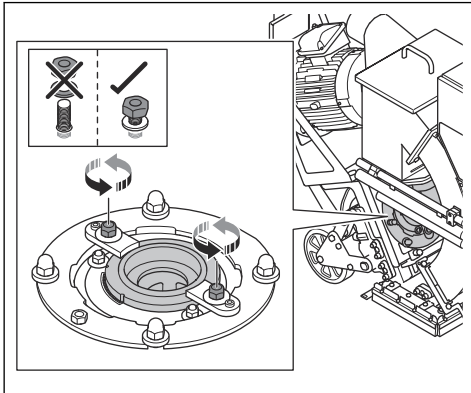


**AVERTISSEMENT** : Utiliser un équipement de protection personnelle lors du réglage du tracé d'abrasion. Se reporter à la section *Équipement de protection personnelle* à la page 73.

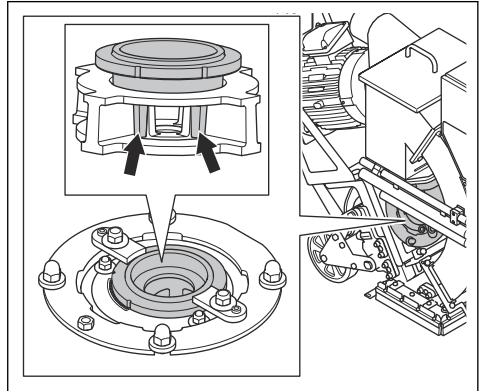
1. Déconnecter la fiche d'alimentation.
2. Retirer les 2 vis, les 2 rondelles et le bec verseur.



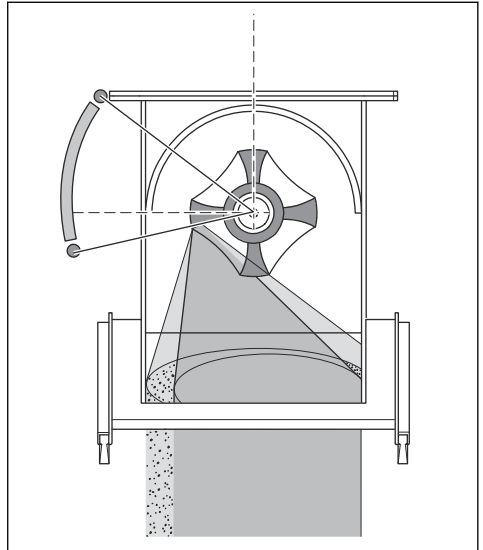
3. Desserrer les 2 écrous sur les pinces de la cage.



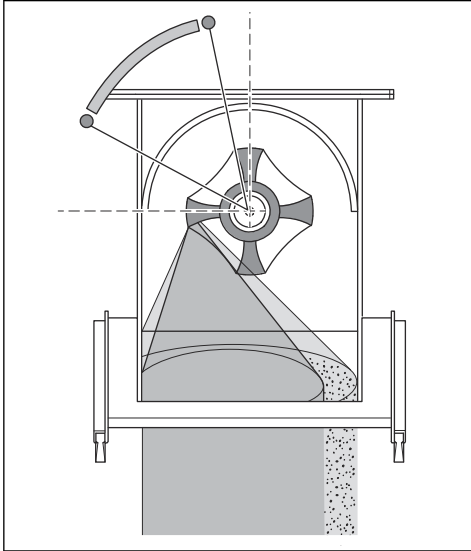
4. Examiner la position de la fenêtre de la cage de commande.



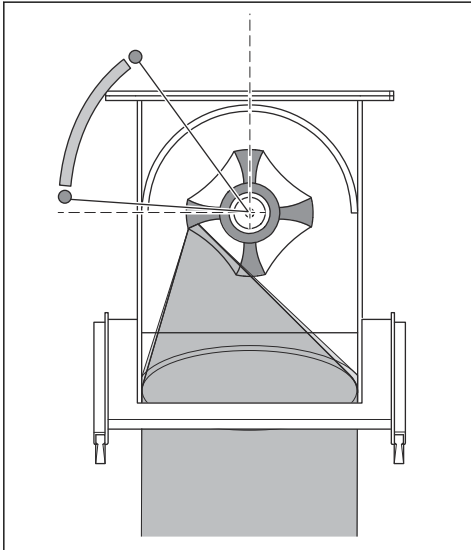
5. Tourner la cage de commande (B) dans le sens horaire si la zone sensible est trop à droite.



6. Tourner la cage de commande (B) dans le sens antihoraire si la zone sensible est trop à gauche.



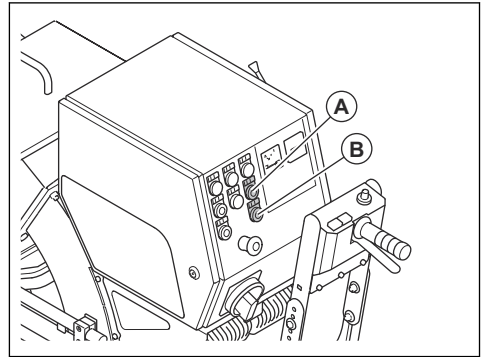
7. Assurez-vous que la zone sensible est appliquée de façon égale sur la surface pour un réglage correct.



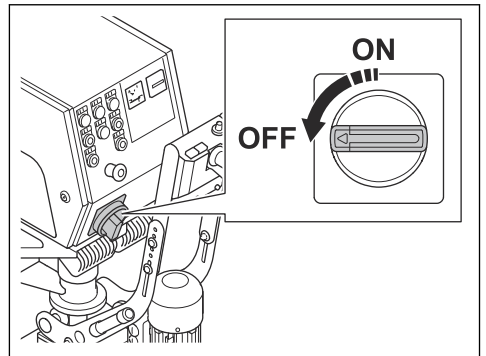
8. Serrer les pinces de la cage lorsque la cage de commande est dans la bonne position. Tourner la roue de grenailage à la main pour s'assurer que la cage de commande ne touche pas la roue de grenailage.
9. Installer le bec verseur, les 2 rondelles et les 2 vis.

## Arrêt de la machine

1. Tirer sur le câble de commande d'abrasif pour fermer la soupape d'abrasif. Se reporter à la section *Pour actionner la soupape d'abrasif à la page 79.*
2. Appuyer sur le bouton OFF (arrêt) (B) pour arrêter le moteur de grenailage.



3. Tourner l'interrupteur de marche/arrêt à la position d'arrêt.



4. Débrancher la fiche d'alimentation de la source d'alimentation.
5. Arrêter l'extracteur de poussière. Se reporter au manuel de l'opérateur de l'extracteur de poussière.

# Entretien

## Introduction



**AVERTISSEMENT** : Avant de procéder à l'entretien, lire et bien comprendre le chapitre sur la sécurité.



**AVERTISSEMENT** : Utiliser un équipement de protection personnelle lors du dépannage et de l'entretien. Se reporter à la section *Équipement de protection personnelle* à la page 73.



**AVERTISSEMENT** : Avant d'effectuer l'entretien, arrêter le moteur et débrancher la fiche d'alimentation. S'assurer que tous les entraînements s'arrêtent.

Pour tous les travaux d'entretien et de réparation sur le produit, une formation spécifique est nécessaire. La disponibilité des réparations et des entretiens effectués de façon professionnelle est garantie. Si un revendeur n'est pas un agent d'entretien, communiquer avec lui pour connaître l'agent d'entretien le plus proche.

Pour obtenir de plus amples renseignements, se reporter à la section [www.husqvarnaconstruction.com](http://www.husqvarnaconstruction.com).

## Calendrier d'entretien

\* = Entretien général effectué par l'opérateur. Les instructions ne sont pas décrites dans ce manuel d'utilisation.

X = Les instructions sont décrites dans ce manuel d'utilisation.

O = Les instructions ne sont pas décrites dans ce manuel d'utilisation. Laisser un agent d'entretien agréé effectuer l'entretien.

Entretien général du produit	Toutes les 3 h	Quotidien	12 h après l'entretien	Tous les 3 mois	Annuel
S'assurer que les vis et les écrous sont bien serrés.		*	*		
S'assurer que le cordon d'alimentation et le câble de rallonge sont en bon état et qu'ils ne sont pas endommagés.		*			
Vérifier que les composants, les câbles et les connexions électriques ne sont ni usés ni endommagés.		*			
Vérifier le système de fonctionnement en marche arrière (RCD).		*			
Inspecter le moteur électrique à la recherche de saletés et de dommages.		*			
S'assurer que le tuyau de l'extracteur de poussière n'est pas endommagé ni obstrué.		*			
Vider l'extracteur de poussière.	*				
Vérifier le séparateur d'abrasif, le plateau séparateur et le bec d'alimentation.	X				
Nettoyer le produit.		X			
Vérifier tous les dispositifs de sécurité.		X			



Entretien général du produit	Toutes les 3 h	Quotidien	12 h après l'entretien	Tous les 3 mois	Annuel
Vérifier que le joint à brosse n'est ni endommagé ni usé.		X			
Vérifier la cage de commande, la roue de grenailage et les revêtements à la recherche d'usure. Se reporter à la section <i>Avant d'utiliser le produit à la page 77.</i>		X			
Vérifier la tension de la courroie d'entraînement.		X		X	
Vérifier la tension de la chaîne d'entraînement du système d'entraînement.				X	
Nettoyer la chaîne d'entraînement du système d'entraînement.				X	
Effectuer l'entretien et le nettoyage complet du produit.					O

## Nettoyage de la machine

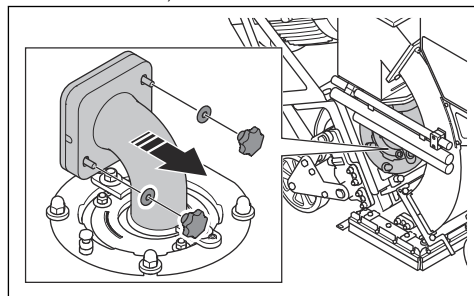
- Toujours nettoyer l'ensemble de l'équipement après utilisation. Utiliser un aspirateur.
- Ne pas utiliser un nettoyeur haute pression pour nettoyer le produit.
- Maintenir les ouvertures d'air propres et dégagées pour s'assurer que le produit a toujours une température suffisamment froide.

## Pour nettoyer la chaîne du système d'entraînement

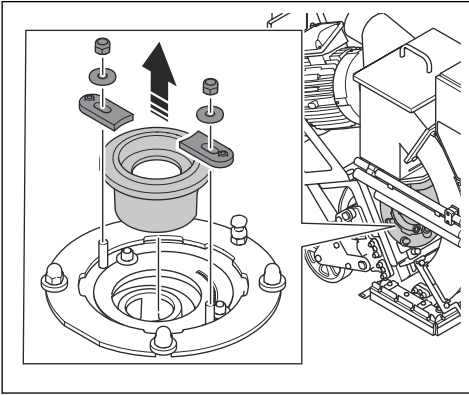
1. Éliminer la saleté sur la surface extérieure de la chaîne à l'aide d'une brosse dure ou d'une brosse métallique.
2. Nettoyer la chaîne à l'aide d'un produit nettoyant.
3. Éliminer la saleté des pièces internes de la chaîne.

## Pour retirer et installer la cage de commande

1. Retirer les 2 vis, les 2 rondelles et le bec verseur.



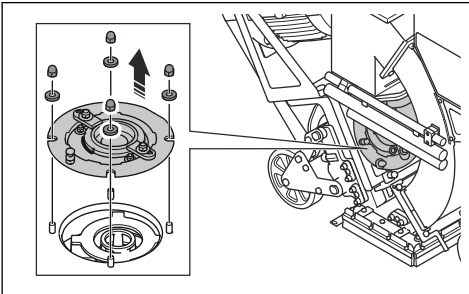
- Retirer les 2 écrous, les 2 rondelles, les 2 pinces de la cage et la cage de commande.



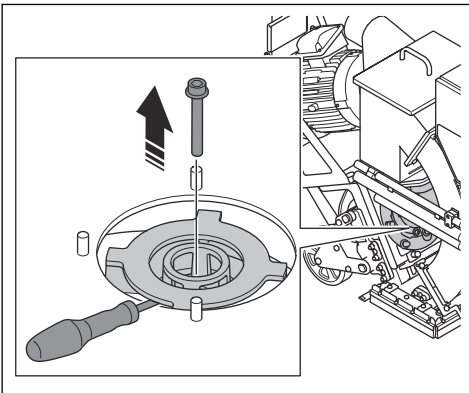
- Effectuer l'installation dans l'ordre inverse.

## Pour remplacer la roue de grenailage

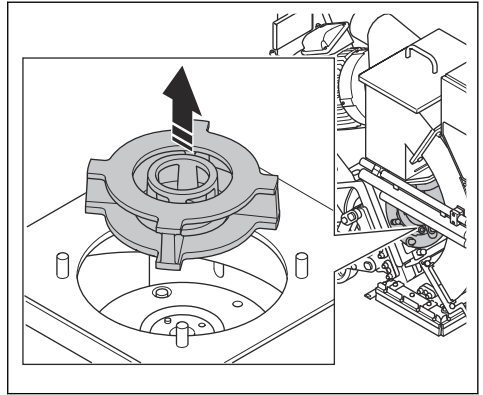
- Retirer les 4 écrous, les 4 rondelles et le couvercle de la roue de grenailage avec la cage de commande.



- Placer un outil approprié dans la roue de grenailage pour éviter la rotation. Retirer le boulon et le mettre au rebut.



- Retirer la roue de grenailage.



- Installer la nouvelle roue de grenailage dans l'ordre inverse.



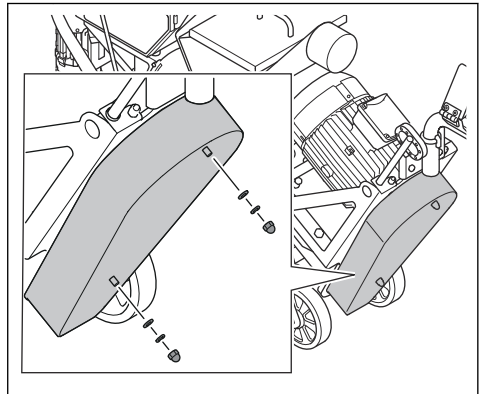
**MISE EN GARDE :** Toujours utiliser un boulon neuf lors de l'installation d'une roue de grenailage neuve.

## Vérification de la tension de la courroie trapézoïdale



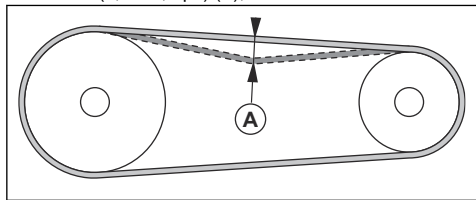
**AVERTISSEMENT :** Ne pas faire fonctionner le produit sans le couvercle de la courroie trapézoïdale installé.

- Éteindre le produit. Se reporter à la section *Arrêt de la machine* à la page 87.
- Retirer les 2 écrous, les 4 rondelles et le couvercle de la courroie trapézoïdale.



- Vérifier l'état et l'usure des courroies trapézoïdales. Remplacer les courroies trapézoïdales au besoin.

4. Pousser les courroies trapézoïdales avec le pouce pour vérifier la tension. S'il est possible de pousser les courroies trapézoïdales à une distance de 10 à 15 mm (0,4 à 0,6 po) (A), la tension est correcte.



5. Si la tension des courroies trapézoïdales n'est pas suffisante, augmenter la distance entre le moteur et le palier.
6. Installer le couvercle de la courroie trapézoïdale.

## Pour remplacer la courroie trapézoïdale



**AVERTISSEMENT** : Ne retirer le couvercle de courroie trapézoïdale que lorsque l'alimentation est débranchée et que le moteur de grenailage est complètement arrêté.



**AVERTISSEMENT** : Ne pas faire fonctionner le produit sans le couvercle de la courroie trapézoïdale installé.

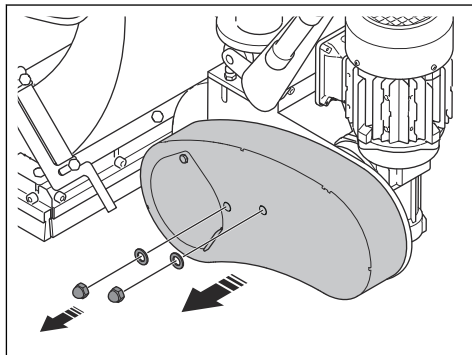
1. Retirer le couvercle de la courroie trapézoïdale. Se reporter à la section *Vérification de la tension de la courroie trapézoïdale* à la page 90.
2. Réduire la distance entre le moteur de grenailage et le palier pour relâcher la tension de la courroie trapézoïdale.
3. Retirer la courroie trapézoïdale et installer la courroie trapézoïdale neuve.
4. Augmenter la distance entre le moteur de grenailage et le palier pour appliquer la tension sur la courroie trapézoïdale. Se reporter à la section *Vérification de la tension de la courroie trapézoïdale* à la page 90.
5. Fixer le carter de la courroie trapézoïdale.

## Pour vérifier la tension de la chaîne du système d'entraînement

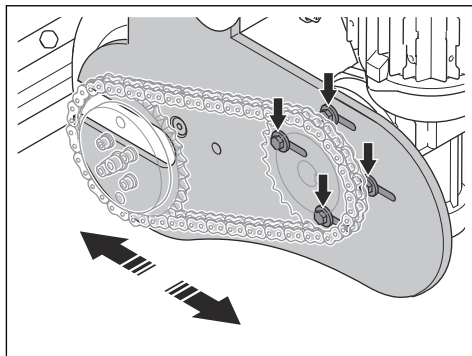


**AVERTISSEMENT** : Ne pas faire fonctionner le produit sans le couvercle de la chaîne installé.

1. Éteindre le produit. Se reporter à la section *Arrêt de la machine* à la page 87.
2. Retirer le couvercle de la chaîne.



3. Pousser la chaîne pour vérifier la tension. S'il est possible de pousser la chaîne à une distance de 5 mm (0,2 po), la tension est correcte.
4. Desserrer les écrous.



5. Déplacer la chaîne pour régler la tension.
6. Serrer les écrous.
7. Installer le couvercle de la chaîne.

## Dépannage

Problème	Causes	Solution
Vibrations ou bruits inhabituels excessifs.	La roue de grenailage est usée ou endommagée.	Remplacer les pièces usées ou endommagées.
	Alignement incorrect de la roue de grenailage et de la cage de commande.	Régler l'alignement de la roue de grenailage et de la cage de commande.
	Des vis et des écrous sont desserrés.	Serrer les vis et les écrous desserrés.
	Tension de la courroie trapézoïdale incorrecte.	Vérifier la tension de la courroie trapézoïdale. Se reporter à la section <i>Pour vérifier la tension de la chaîne du système d'entraînement à la page 91.</i>
	Le moteur est endommagé.	Remplacer le moteur. Communiquer avec un atelier spécialisé Husqvarna autorisé.
	Les roues sont endommagées.	Remplacer les roues.
Diminution ou absence de scarification.	L'alimentation en abrasif à la roue de grenailage est insuffisante.	Nettoyer le plateau séparateur et remplir le séparateur d'abrasif. Vérifier le bec d'alimentation et la soupape d'abrasif.
	Le type d'abrasif n'est pas approprié à la surface.	Remplacer l'abrasif par un type d'abrasif approprié à la surface.
	L'abrasif est contaminé.	Vérifier l'extracteur de poussière et le tuyau de l'extracteur de poussière.
	La roue de grenailage ou la cage de commande est usée ou endommagée.	Remplacer la roue de grenailage ou la cage de commande.
	Une trop grande quantité d'abrasif touche la surface au début du grenailage.	Fermer la soupape d'abrasif et arrêter le produit. Recommencer le grenailage et ouvrir lentement la soupape d'abrasif.
	La vitesse d'entraînement du produit est trop élevée.	Réduire la vitesse d'entraînement.
L'abrasif s'échappe du produit.	Les joints magnétiques sont à une distance incorrecte de la surface.	Régler la hauteur des joints magnétiques.
	Joints endommagés.	Vérifier tous les joints et les remplacer au besoin.
	La qualité de l'abrasif n'est pas satisfaisante.	Pour obtenir de plus amples renseignements, communiquer avec votre concessionnaire.
L'usure est plus importante que d'habitude sur les pièces du carter de grenailage.	Abrasif incorrect.	Pour obtenir de plus amples renseignements, communiquer avec votre concessionnaire.
	La cage de commande n'est pas installée correctement.	Régler la cage de commande pour définir un meilleur tracé d'abrasion.
	L'extracteur de poussière n'offre pas une puissance d'aspiration suffisante.	Vérifier l'extracteur de poussière et le tuyau de l'extracteur de poussière.

Problème	Causes	Solution
Le produit ne se déplace pas.	La vitesse d'entraînement est trop faible.	Augmenter la vitesse d'entraînement.
	La tête de grenailage est coincée sur le plancher.	Régler la hauteur.
	Le système d'entraînement est endommagé ou non connecté.	Engager le système d'entraînement. Vérifier la chaîne d'entraînement.
Le moteur ne démarre pas.	Une phase de l'alimentation est manquante.	Vérifier l'alimentation électrique.
	Une phase de l'alimentation est incorrecte.	Régler la phase.
	Bouton d'arrêt d'urgence engagé.	Tourner le bouton d'arrêt d'urgence dans le sens des aiguilles d'une montre pour le désengager.
	Le système d'entraînement n'est pas alimenté.	Démarrer le système d'entraînement, puis démarrer le moteur de grenailage.
	L'interrupteur de protection du moteur est engagé.	Redémarrer le produit. Vérifier l'alimentation électrique.
	Le câble de rallonge est débranché ou endommagé.	Brancher le câble de rallonge ou, si nécessaire, le remplacer.
Le produit s'arrête après un certain temps.	Un composant est endommagé.	Communiquer avec un atelier spécialisé Husqvarna autorisé.
	Interrupteur de protection du moteur ouvert en raison d'une surcharge.	Communiquer avec un atelier spécialisé Husqvarna autorisé.
	Le moteur est endommagé.	Vérifier le moteur.
	Un fusible de sécurité ou un disjoncteur de courant défectueux est activé.	Communiquer avec un atelier spécialisé Husqvarna autorisé.
Le système d'entraînement ne fonctionne pas correctement.	Les câbles sont endommagés.	Vérifier tous les câbles et les remplacer au besoin.
	Le système d'entraînement n'est pas engagé.	Installer la goupille à dégagement rapide.
	Le fusible de sécurité ou le moteur du système d'entraînement est endommagé.	Communiquer avec un atelier spécialisé Husqvarna autorisé.
	Le panneau de commande est endommagé.	Communiquer avec un atelier spécialisé Husqvarna autorisé.
	Le potentiomètre est endommagé.	Communiquer avec un atelier spécialisé Husqvarna autorisé.

## Transport, entreposage et mise au rebut

### Transport



**AVERTISSEMENT** : Être prudent lors du transport. Le produit est lourd et peut causer des blessures ou des dommages s'il se renverse ou se déplace pendant le transport.



**MISE EN GARDE** : Ne pas remorquer le produit derrière un véhicule.

- S'assurer que l'alimentation est débranchée avant le transport.

- S'assurer que le câble électrique et le tuyau de l'extracteur de poussière sont débranchés avant le transport.
- Retirer l'abrasif avant le transport.
- Les roues permettent de déplacer le produit sur de courtes distances. Pour de plus longues distances, soulever le produit pour le déplacer ou le placer sur un véhicule.
- Placer une protection adéquate sur le produit pendant le transport. La protection garde le produit à l'abri des éléments tels que la pluie et la neige.
- Toujours engager le système d'entraînement pendant le transport. Se reporter à la section *Pour engager et désengager le système d'entraînement à la page 78*.

## Pour régler l'outil à la position de transport

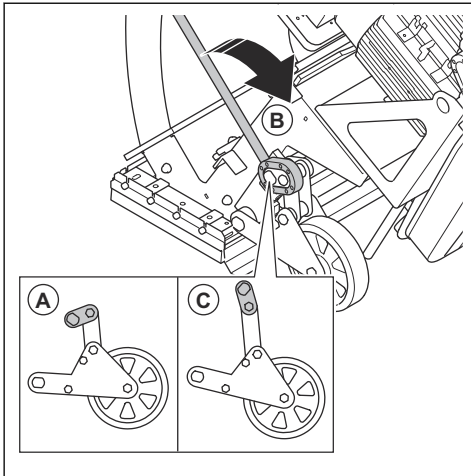


**AVERTISSEMENT :** Assurez-vous que le produit est sur une surface horizontale avant de le soulever ou de l'abaisser.



**AVERTISSEMENT :** Ne pas soulever le produit tant que les roues de grenailage ne sont pas complètement arrêtées.

1. Fixer le levier au mécanisme de levage (A).



2. Soulever (B) le levier en position de transport (C).

## Déplacer manuellement le produit



**AVERTISSEMENT :** Attendre que toutes les pièces mobiles soient à l'arrêt avant de déplacer le produit.



**AVERTISSEMENT :** Utiliser des bottes de protection à embout en acier et à semelles antidérapantes.



**AVERTISSEMENT :** Ne pas déplacer manuellement le produit sur des rampes vers le haut ou vers le bas avec le système d'entraînement désengagé. Déplacer le produit manuellement uniquement sur un sol de niveau.

1. Désengager le système d'entraînement. Se reporter à la section *Pour engager et désengager le système d'entraînement à la page 78*.
2. Pousser la poignée vers le bas.
3. Pousser ou tirer le produit par les poignées.
4. Engager le système d'entraînement. Se reporter à la section *Avant d'utiliser le produit à la page 77*. Lorsque le moteur est arrêté, il est doté de la fonction de frein de stationnement et empêche tout mouvement accidentel du produit.

## Pour déplacer le produit avec le système d'entraînement



**AVERTISSEMENT :** Le produit est lourd et il y a un risque de blessure si le produit se renverse. Rester prudent pendant le déplacement du produit.



**AVERTISSEMENT :** Ne pas soulever le produit du sol pendant le déplacement.



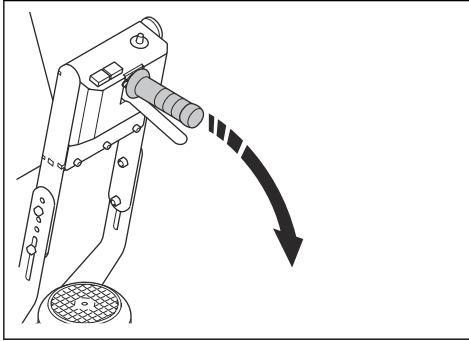
**AVERTISSEMENT :** Ne pas déplacer le produit vers l'avant pendant l'opération.



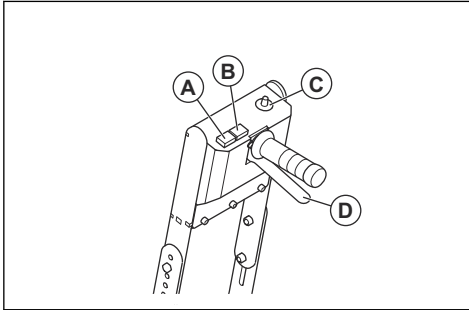
**AVERTISSEMENT :** Utiliser des bottes de protection à embout en acier et à semelles antidérapantes.

1. Engager le système d'entraînement. Se reporter à la section *Pour engager et désengager le système d'entraînement à la page 78*.

2. Tirer la poignée vers le bas pour soulever le produit de la surface.



3. Régler la vitesse de déplacement à l'aide de la molette de régulation du régime (C).



4. Appuyer sur le levier du système d'entraînement (D) et le maintenir enfoncé pour déplacer le produit vers l'arrière.
5. Appuyer sur le bouton de vitesse surmultipliée (A) et le maintenir enfoncé pour se déplacer à la vitesse maximale.
6. Appuyer sur le bouton de marche avant (B) et le maintenir enfoncé pour déplacer le produit vers l'avant.

## Pour déplacer le produit vers le haut ou vers le bas dans une pente



**AVERTISSEMENT** : Être très prudent lors du déplacement du produit dans une pente. Le produit est lourd et il y a un risque de blessure si le produit se renverse ou se déplace trop rapidement.



**AVERTISSEMENT** : Sur les pentes abruptes, utiliser toujours un treuil. Ne pas marcher ou rester en dessous ou à proximité d'un produit soulevé.

- Pour descendre une pente avec le produit, faire fonctionner le produit lentement en marche avant.

- Pour monter une pente avec le produit, faire fonctionner le produit lentement en marche arrière.
- Ne pas tourner le produit vers la gauche ou vers la droite de plus de 45 ° sur une rampe.

## Levage du produit 1-10DS



**AVERTISSEMENT** : S'assurer que l'équipement de levage possède les spécifications correctes pour soulever le produit en toute sécurité. Le poids du produit figure sur sa plaque signalétique.

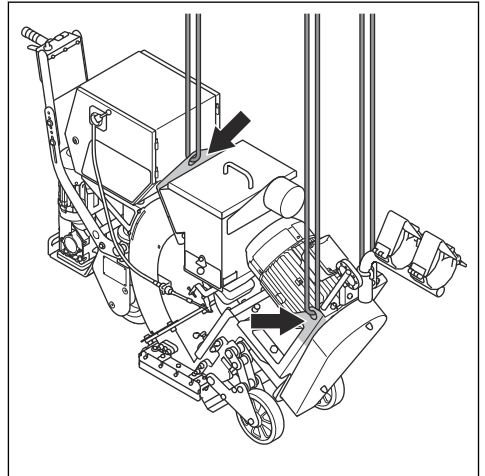


**AVERTISSEMENT** : Ne pas marcher ou rester en dessous ou à proximité d'un produit soulevé. Garder les passants à l'écart de la zone de travail.



**AVERTISSEMENT** : Ne pas soulever un produit endommagé. S'assurer que l'anneau de levage est correctement posé et en bon état.

1. Fixer l'équipement de levage aux anneaux de levage.



2. Soulever le produit avec prudence. Tenir la poignée jusqu'à ce que le produit soit soulevé du sol.

## Levage du produit 1-15DS



**AVERTISSEMENT** : S'assurer que l'équipement de levage possède les spécifications correctes pour soulever le produit en toute sécurité. Le poids du produit figure sur sa plaque signalétique.



**AVERTISSEMENT :** Ne pas marcher ou rester en dessous ou à proximité d'un produit soulevé. Garder les passants à l'écart de la zone de travail.

- Retirer l'abrasif du séparateur d'abrasif.

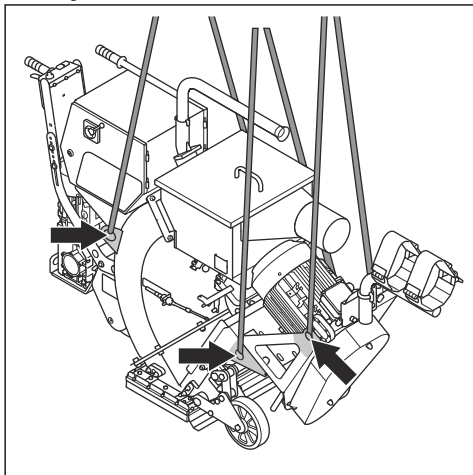
## Mise au rebut du produit

- Respecter les exigences locales en matière de recyclage et la réglementation en vigueur.
- Lorsqu'on n'utilise plus le produit, l'envoyer à un détaillant Husqvarna ou le mettre au rebut à un emplacement de recyclage.



**AVERTISSEMENT :** Ne pas soulever un produit endommagé. S'assurer que l'anneau de levage est correctement posé et en bon état.

1. Fixer l'équipement de levage aux anneaux de levage.



2. Soulever le produit avec prudence. Tenir la poignée jusqu'à ce que le produit soit soulevé du sol.

## Pour fixer le produit sur un véhicule de transport

Utiliser les anneaux de levage afin de fixer le produit au véhicule de transport.

1. Fixer les sangles d'arrimage dans les anneaux de levage.
2. Fixer et serrer les sangles d'arrimage sur le véhicule de transport.

## Entreposage



**MISE EN GARDE :** Ne pas entreposer le produit à l'extérieur. Toujours garder le produit à l'intérieur.

- Remiser le produit dans un endroit sec et à l'abri du gel.
- Nettoyer le produit et effectuer un entretien complet avant de l'entreposer.
- Garder le produit dans un endroit verrouillé hors de portée des enfants et des personnes non autorisées.



## Caractéristiques techniques

	1-10DS		1-15DS	
Puissance nominale, W	11745		15660	
Tension nominale, V	480/277	240	480/277	240
Fréquence, Hz	60			
Intensité nominale, A	19	38	26	52
Aptitude de nettoyage en pente maximale, degré/%	8/14		10/18	
Poids, kg/lb	325/717		476/1050	
Dimensions du produit, mm/po	1900x42x1050/75x16.5x41		1940x557x1120/76x22x44	
Type de câble d'alimentation	AWG6			
Longueur du câble, m/pi	20/65			

**Remarque :** Si votre produit nécessite une spécification électrique qui ne figure pas dans le tableau, communiquez avec un atelier

spécialisé Husqvarna pour obtenir de plus amples renseignements.

## Données sur le bruit et les vibrations

	1-10DS	1-15DS
<b>Émissions sonores</b>		
Niveau de puissance acoustique mesuré, LWA, dB (A) <sup>1</sup>	99	99
Niveau de pression sonore au niveau des oreilles de l'utilisateur, LP dB (A) <sup>2</sup>	85	85
<b>Niveaux de vibrations</b>		
Poignée principale, m/s <sup>23</sup>	1,3	1,3
<sup>1</sup> Niveau de pression sonore déterminé selon la norme EN ISO 3747. Mesuré sur une surface de béton. Incertitude Kwa 2,5 dB <sup>2</sup> Niveau de pression sonore déterminé selon la norme EN ISO 11202. Mesuré sur une surface de béton. Incertitude KPA 2,5 dB <sup>3</sup> Accélération effective pondérée mesurée au niveau de la poignée selon la norme EN ISO 20643. Mesuré sur une surface de béton. Incertitude K 0,5 m/s <sup>2</sup>		

## Abrasif approuvé

	Projection d'acier à haute teneur en carbone			Grenaille d'acier à haute teneur en carbone
Abrasif approuvé	S-330	S-390	S-460*	SG25*
po (mm)	0,04/1,0	0,05/1,2	0,06/1,4	0,04/1,0
*opérations spéciales				

## Rallonges

Longueur du câble	Coupe transversale à 240 V câble SOOW (600 V)			
	≤ 15 A	≤ 30 A	≤ 60 A	≤ 100 A
Calculé à un préfusible GG <sup>1</sup> :	15 A	30 A	60 A	100 A
> 20 m (66 pi)	AWG12	AWG8	AWG4	AWG2
20 m (66 pi) > 50 m (164 pi)	AWG10	AWG8	AWG4	AWG2
50 m (164 pi) > 75 m (246 pi)	AWG8	AWG6	AWG2	AWG2
<sup>1</sup> Les sections transversales doivent être recalculées lorsque d'autres types ou dimensions de préfusible sont utilisés.				

## Rallonges

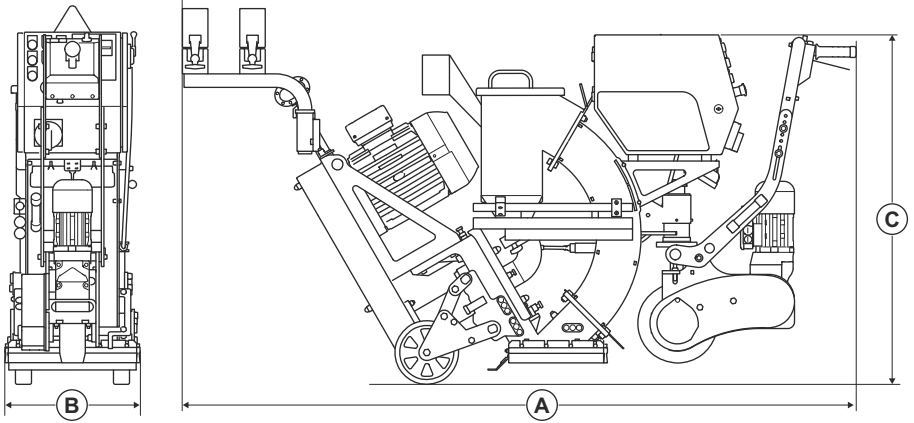
Longueur du câble	Coupe transversale à 480 V câble SOOW (600 V)			
	≤ 15 A	≤ 30 A	≤ 60 A	≤ 100 A
Calculé à un préfusible GG <sup>1</sup> :	15 A	30 A	60 A	100 A
> 20 m (66 pi)	AWG14	AWG8	AWG4	AWG2
20 m (66 pi) > 50 m (164 pi)	AWG12	AWG8	AWG4	AWG2
50 m (164 pi) > 75 m (246 pi)	AWG12	AWG8	AWG4	AWG2
<sup>1</sup> Les sections transversales doivent être recalculées lorsque d'autres types ou dimensions de préfusible sont utilisés.				

## Déclaration relative au bruit et aux vibrations

Ces valeurs déclarées ont été obtenues par essai en laboratoire conformément à la directive ou aux normes indiquées et peuvent être comparées aux valeurs déclarées d'autres produits testés conformément à la même directive ou aux mêmes normes. Ces valeurs déclarées ne conviennent pas aux évaluations des

risques et les valeurs mesurées sur des lieux de travail individuels peuvent être plus élevées. Les valeurs d'exposition réelles et le risque d'atteinte encouru par un utilisateur individuel sont uniques et dépendent de la façon dont l'utilisateur travaille, du matériau dans lequel le produit est utilisé, du temps d'exposition et de la condition physique de l'utilisateur, ainsi que de l'état du produit.

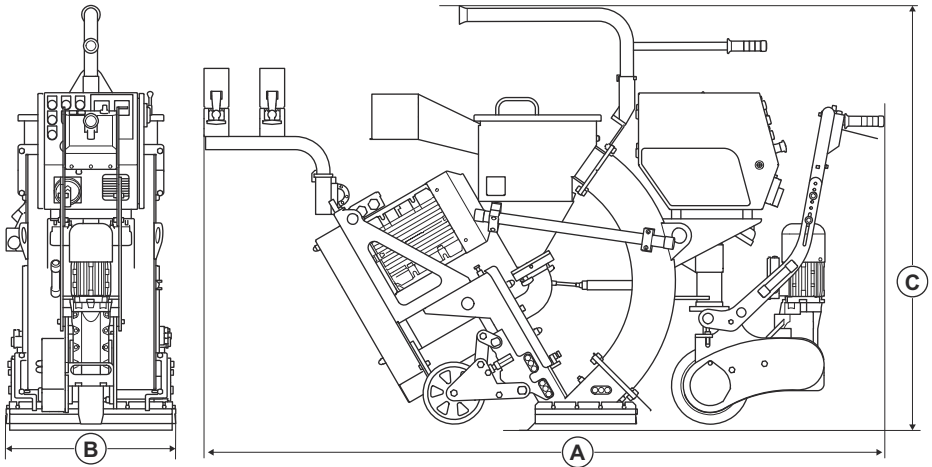
## Dimensions du produit 1-10DS



<b>A</b>	Longueur, mm/po	1900/75
<b>B</b>	Largeur, mm/po	420/16,5

<b>C</b>	Hauteur, mm/po	1050/41
----------	----------------	---------

## Dimensions du produit 1-15DS



<b>A</b>	Longueur, mm/po	1940/76
<b>B</b>	Largeur, mm/po	557/22

<b>C</b>	Hauteur, mm/po	1120/44
----------	----------------	---------



[www.husqvarnaconstruction.com](http://www.husqvarnaconstruction.com)

Original instructions  
Instrucciones originales  
Instructions d'origine

1143441-49



2023-03-17