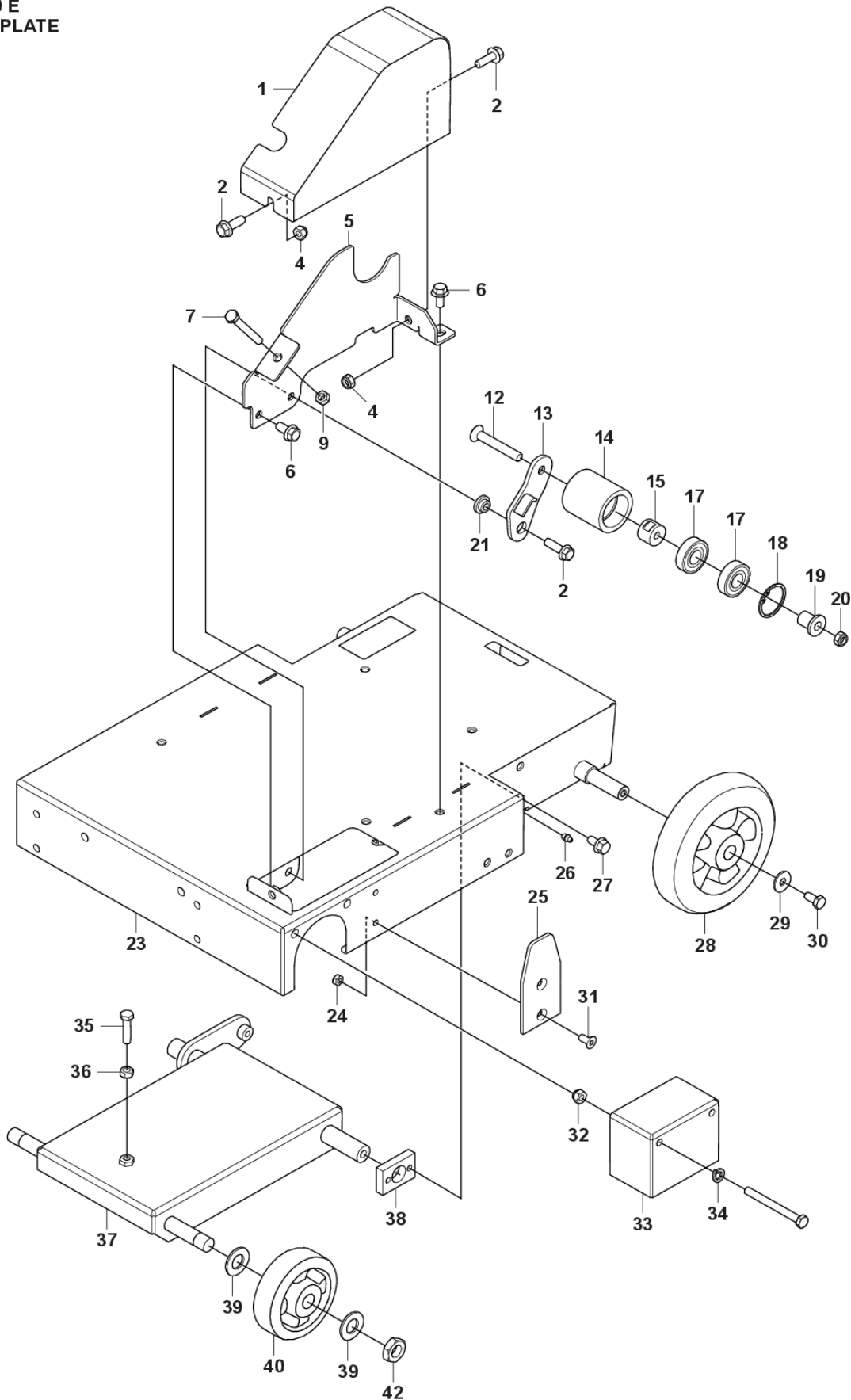


SPARE PARTS CATALOGUE
: HUSQVARNA FS 600 E

Spare Parts List

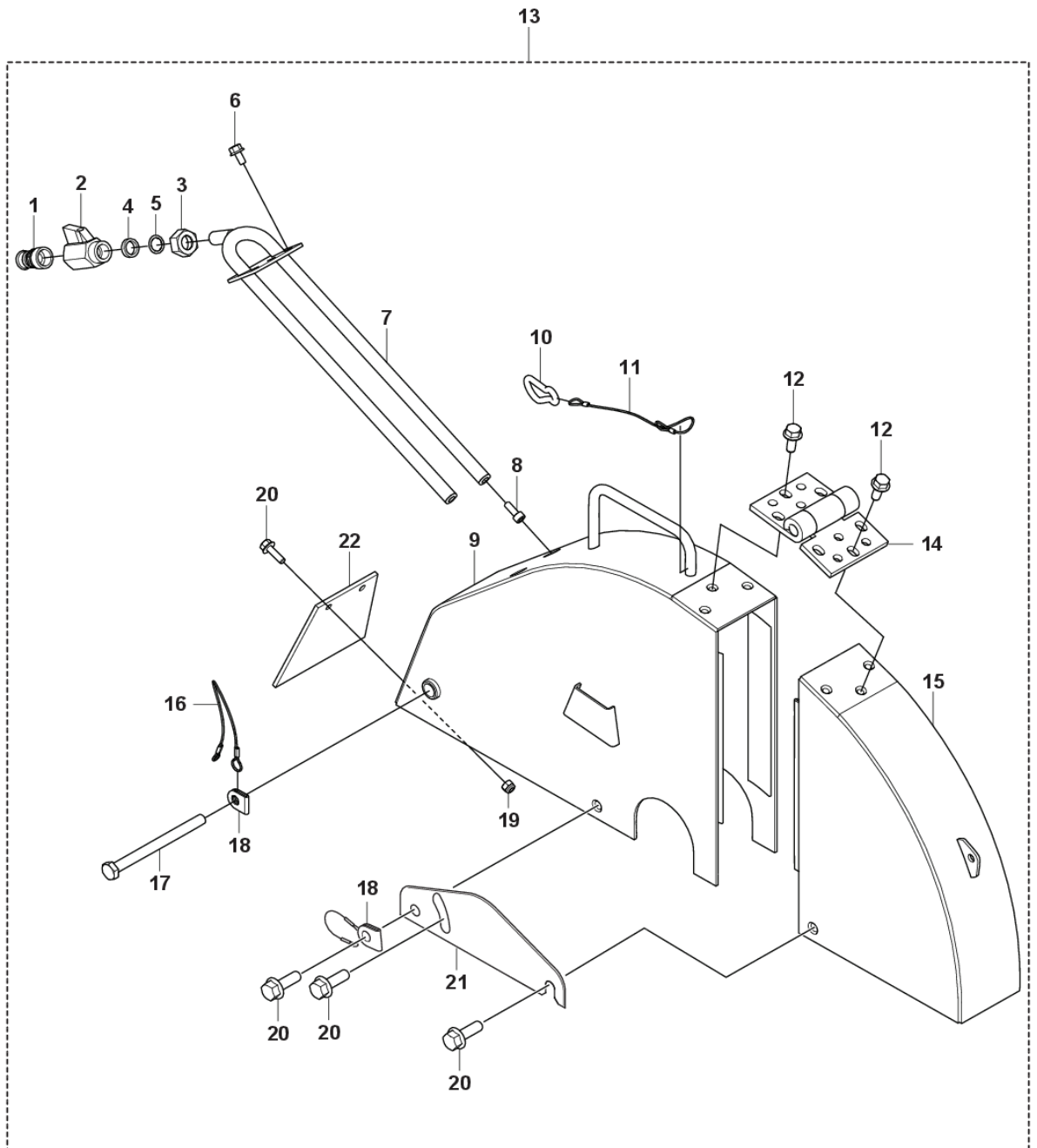
SPARE PARTS LIST

**FS 600 E
BASE PLATE**



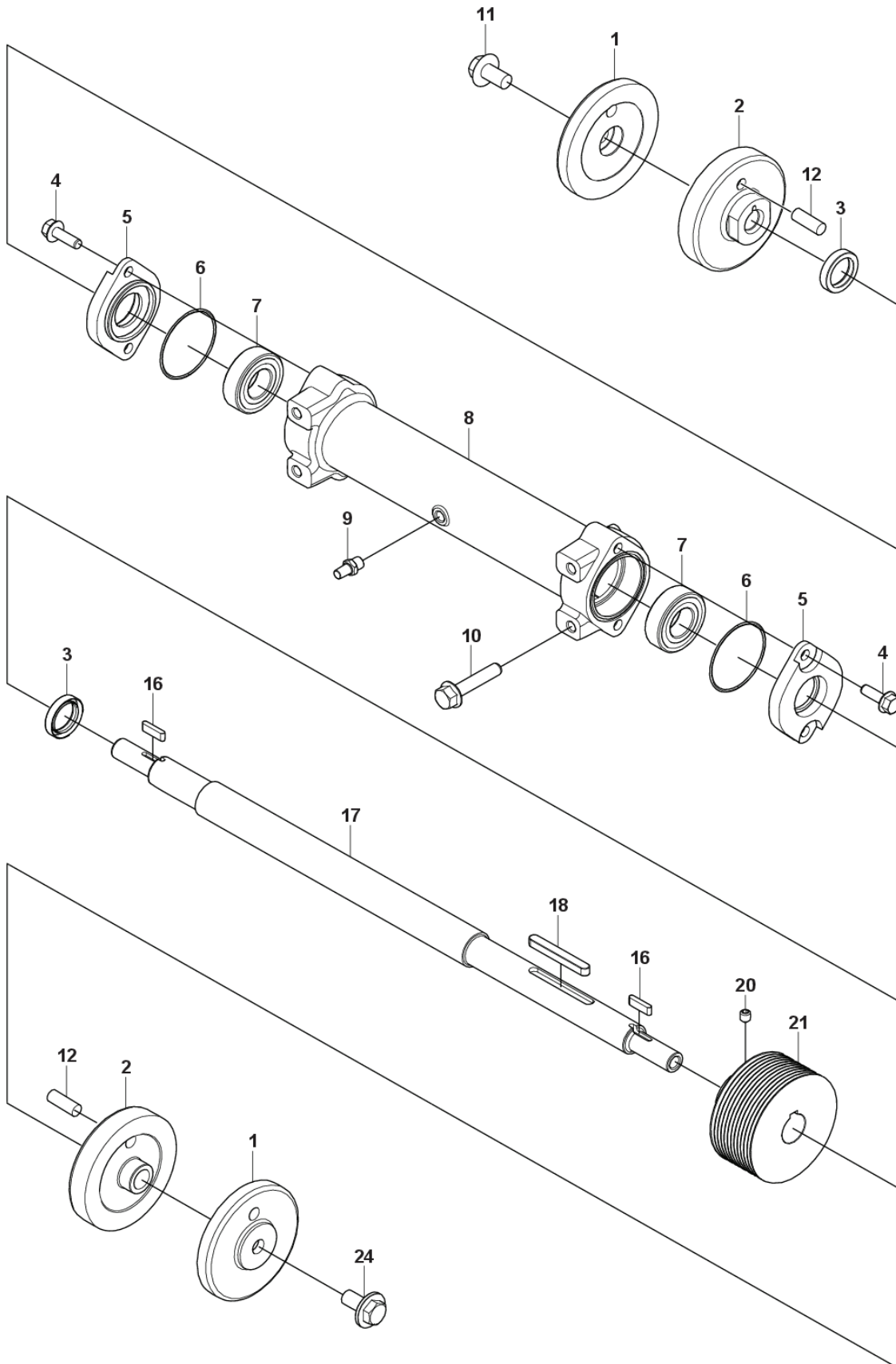
REF.	PART NO.	DESCRIPTION	REMARK	QTY.	KIT
1	531378001	BELT COVER		1	
2	531378201	BELT COVER		1	
3	585980401	SCREW EHHFM		3	
4	732252001	HEXAGON LOCKING NUT		2	
5	531377901	BRACKET		1	
6	531378101	BRACKET		1	
7	585975201	SCREW EHHFM		2	
8	725250771	SCREW		1	
9	731232001	HEXAGON NUT		1	
10	529936201	SCREW IHCSFM		1	
11	599746001	PLATE		1	
12	599900701	PLATE		1	
13	599746101	PULLEY		1	
14	599900801	PULLEY		1	
15	529606601	SPACER		1	
16	542139273	BALL BEARING		2	
17	735314010	CIRCLIP		1	
18	541208194	SPACER		1	
19	732252201	HEXAGON LOCKING NUT		1	
20	599745901	SLEEVE		1	
21	599746701	BASEPLATE		1	
22	732251801	HEXAGON LOCKING NUT		4	
23	531366001	PLATE		2	
24	504204501	GREASE		2	
25	585975201	SCREW EHHFM		4	
26	543045951	WHEEL		2	
27	734117441	WASHER		2	
28	725249171	SCREW EHHM		2	
29	725645101	SCREW IHCSFM		4	
30	732252001	HEXAGON LOCKING NUT		2	
31	599744801	COVER		2	
32	735117301	SPRING WASHER		2	
33	725249971	SCREW EHHM		1	
34	731232001	HEXAGON NUT		1	
35	599744501	FRONT AXLE		1	
36	543041959	CLAMP		2	
37	543040217	TOOL		4	
38	543045949	WHEEL		2	
39	543044757	NUT		2	

**FS 600 E
BLADE GUARD**



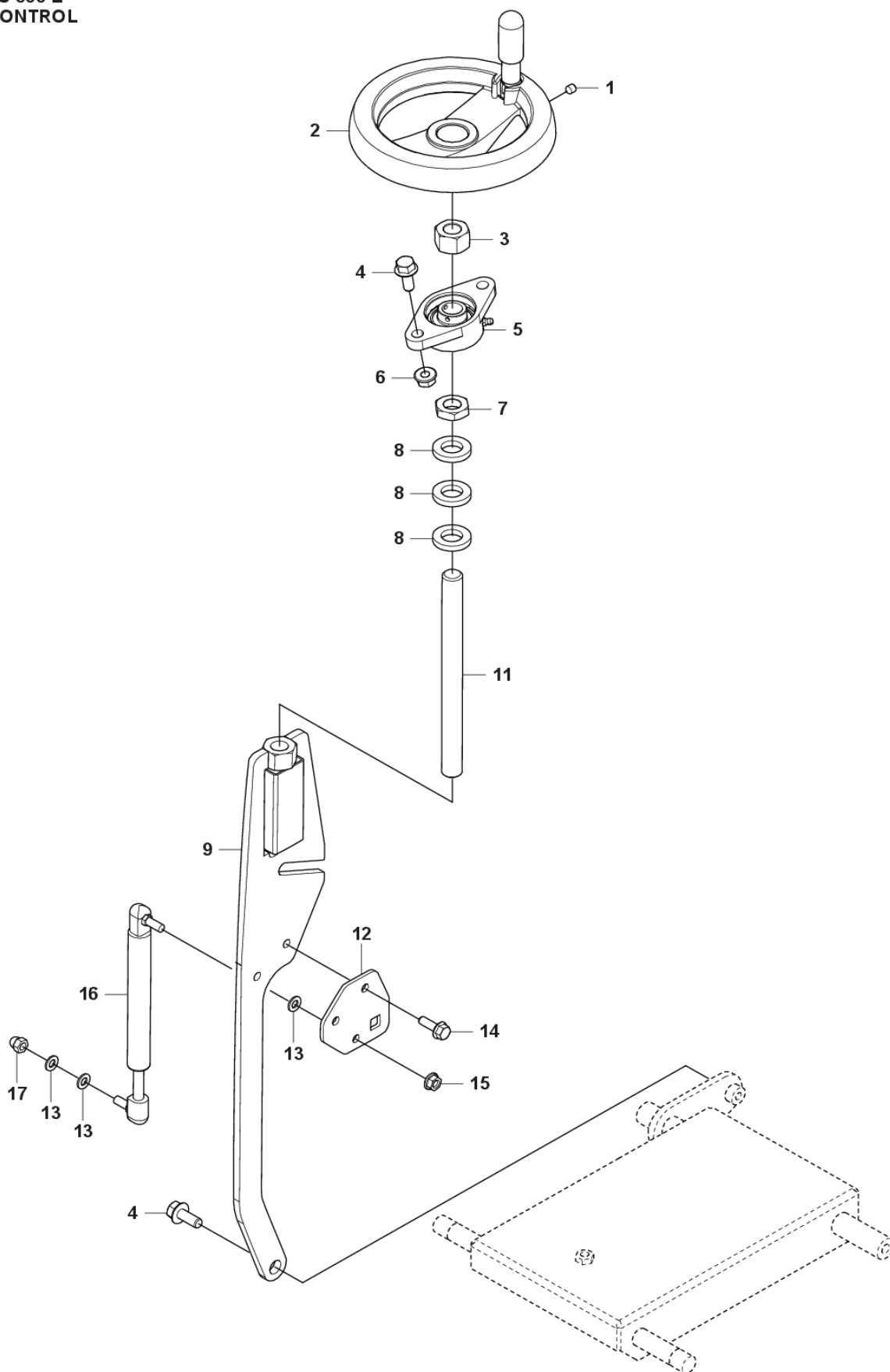
REF.	PART NO.	DESCRIPTION	REMARK	QTY.	KIT
1	543045610	ADAPTER		1	
2	543045539	TAP		1	
3	543045561	NUT		1	
4	735581210	LOCKWASHER		1	
5	543045560	COLLET		1	
6	585973301	SCREW EHHFM		2	
7	531314501	NOZZLE ASSY	500MM	1	
7	529707401	NOZZLE ASSY	600MM	1	
8	725536801	SCREW IHSCM		2	
9	531288701	BLADE GUARD	500MM	1	
9	531288901	BLADE GUARD	600MM	1	
10	531289101	HOOK		1	
11	582744401	WIRE		1	
12	585975401	SCREW EHHFM		6	
13	536260301	BLADE GUARD		1	
13	536260302	BLADE GUARD		1	
14	542190519	HINGE		1	
15	531288801	BLADE GUARD	500MM	1	
15	531289001	BLADE GUARD	600MM	1	
16	531289301	STRAP		1	
17	725251551	SCREW EHHM		1	
18	531289201	PLATE		1	
19	732251601	HEXAGON LOCKING NUT		2	
20	586120201	SCREW EHHFM		3	
22	585973101	SCREW EHHFM		1	
23	531289401	DEFLECTOR		1	

**FS 600 E
BLADE SHAFT**



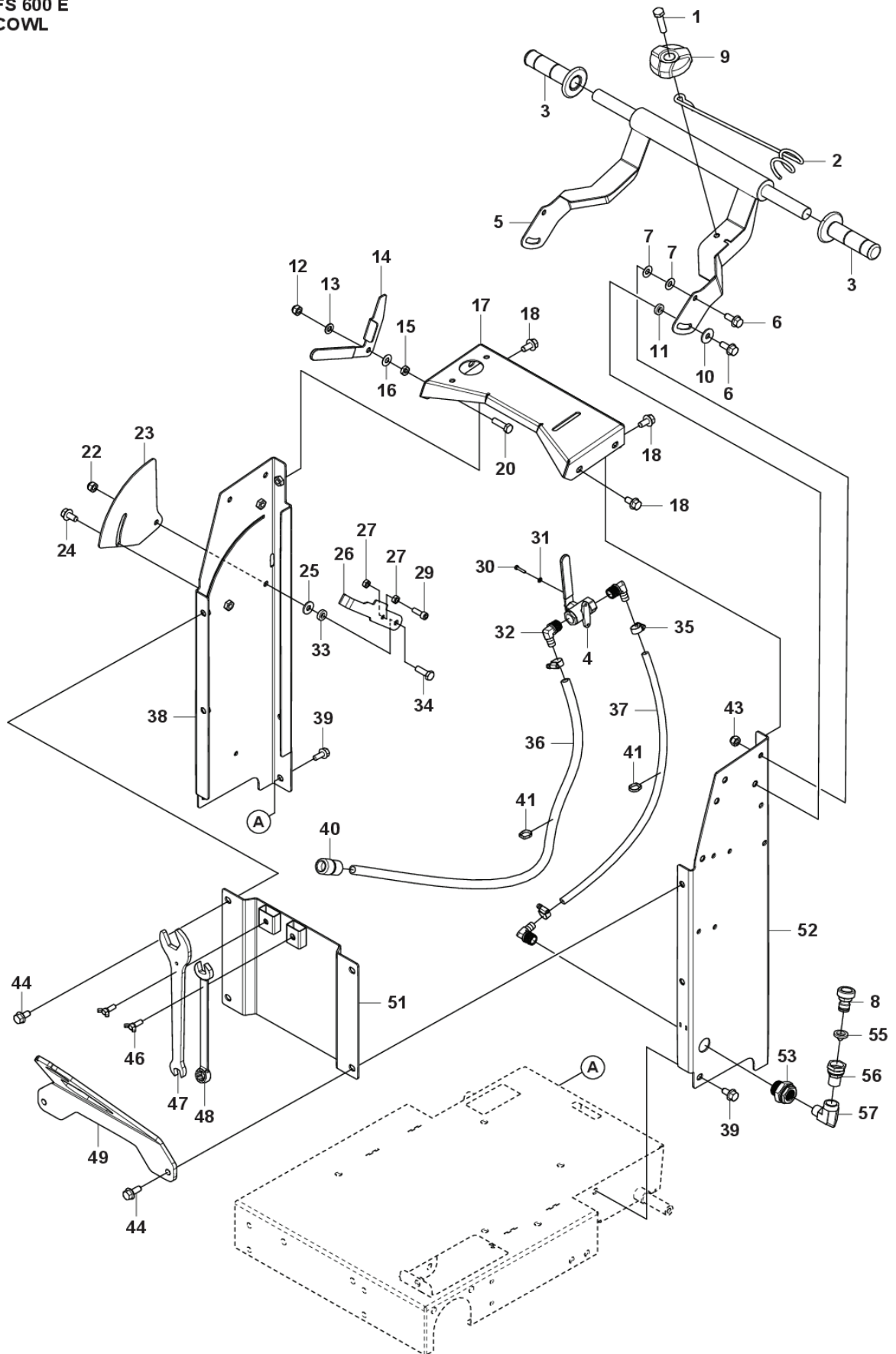
REF.	PART NO.	DESCRIPTION	REMARK	QTY.	KIT
1	529716301	FLANGE	CE Version	1	
2	529869901	FLANGE		1	
3	531336101	FLANGE	CE version. With pin.	1	
4	529716101	FLANGE	With pin	1	
5	599745301	SEALING		2	
7	599745401	COVER		2	
8	599810701	O-RING		2	
9	541208160	BEARING		2	
10	599745101	HOUSING		1	
11	580981101	SILENCER		1	
12	531338401	SCREW EHHFM		4	
13	543077344	SCREW		1	
14	542167964	PIN		1	
15	581492801	KEY		2	
16	599745201	BLADE SHAFT		1	
17	543044796	KEY		1	
18	728744506	SCREW IHSETM		2	
19	531315101	PULLEY	CE version	1	
20	529725801	PULLEY		1	
21	531338301	SCREW		1	

**FS 600 E
CONTROL**



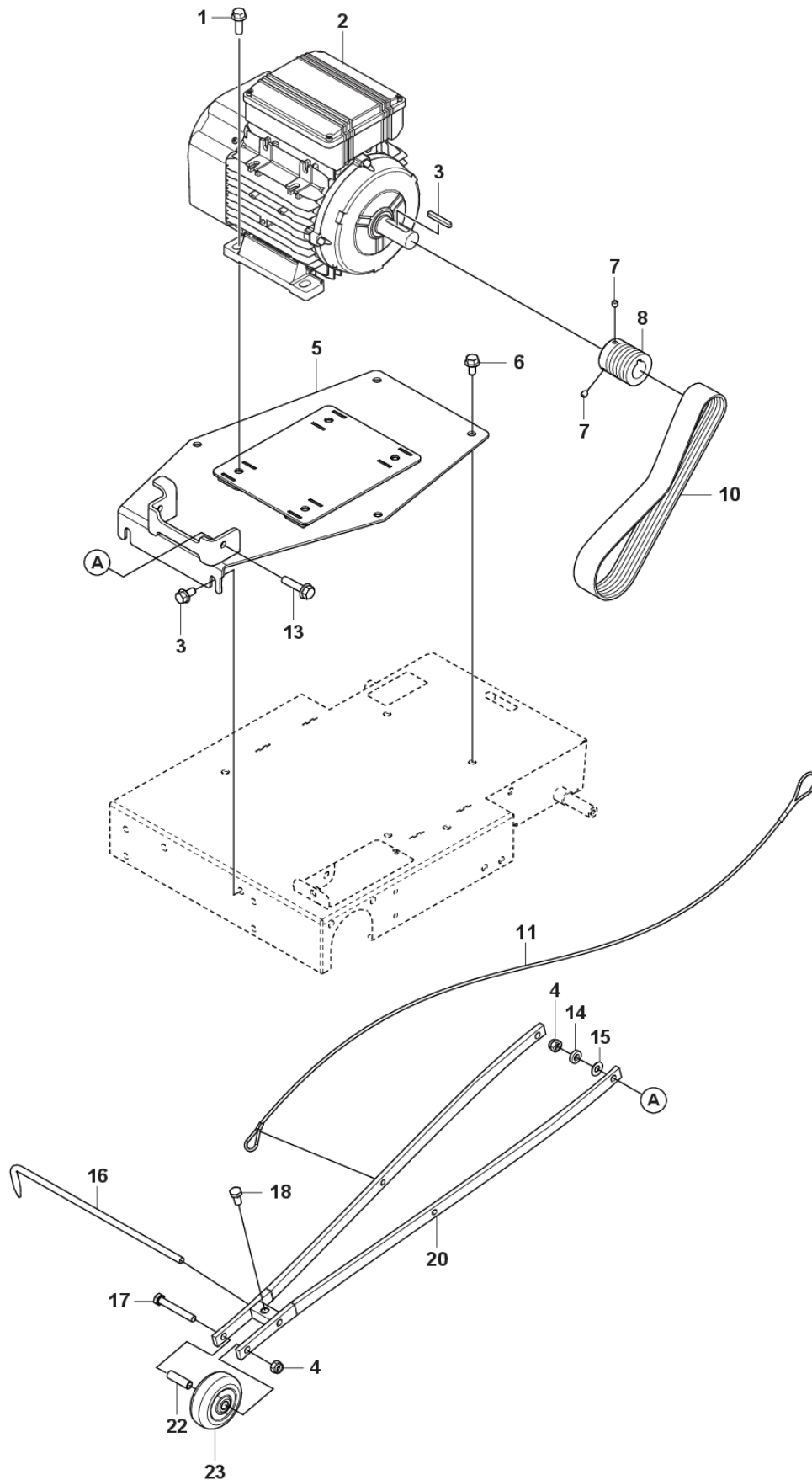
REF.	PART NO.	DESCRIPTION	REMARK	QTY.	KIT
1	728744506	SCREW IHSETM		1	
2	543076294	HANDLE		1	
3	543044772	NUT		1	
4	585980401	SCREW EHIHFH		3	
5	543045044	PALIER FY TB 20 TF/		1	
6	731712051	HEXAGON NUT FLANGE		2	
7	590914301	LOCKING PLATE		1	
8	593928101	SPACER	CE 2 pcs, NA 3 pcs.	3	
9	599744301	PLATE		1	
10	543042861	HEIGHT ADJUSTER		1	
11	531421201	PLATE	CE version	1	
12	529665201	PLATE		1	
13	734116301	WASHER		3	
15	585975401	SCREW EHIHFH		2	
16	731711851	HEXAGON NUT FLANGE		3	
17	531421101	GAS SPRING	CE Version	1	
18	543076293	SPRING		1	
19	543044766	NUT		1	

FS 600 E
COWL



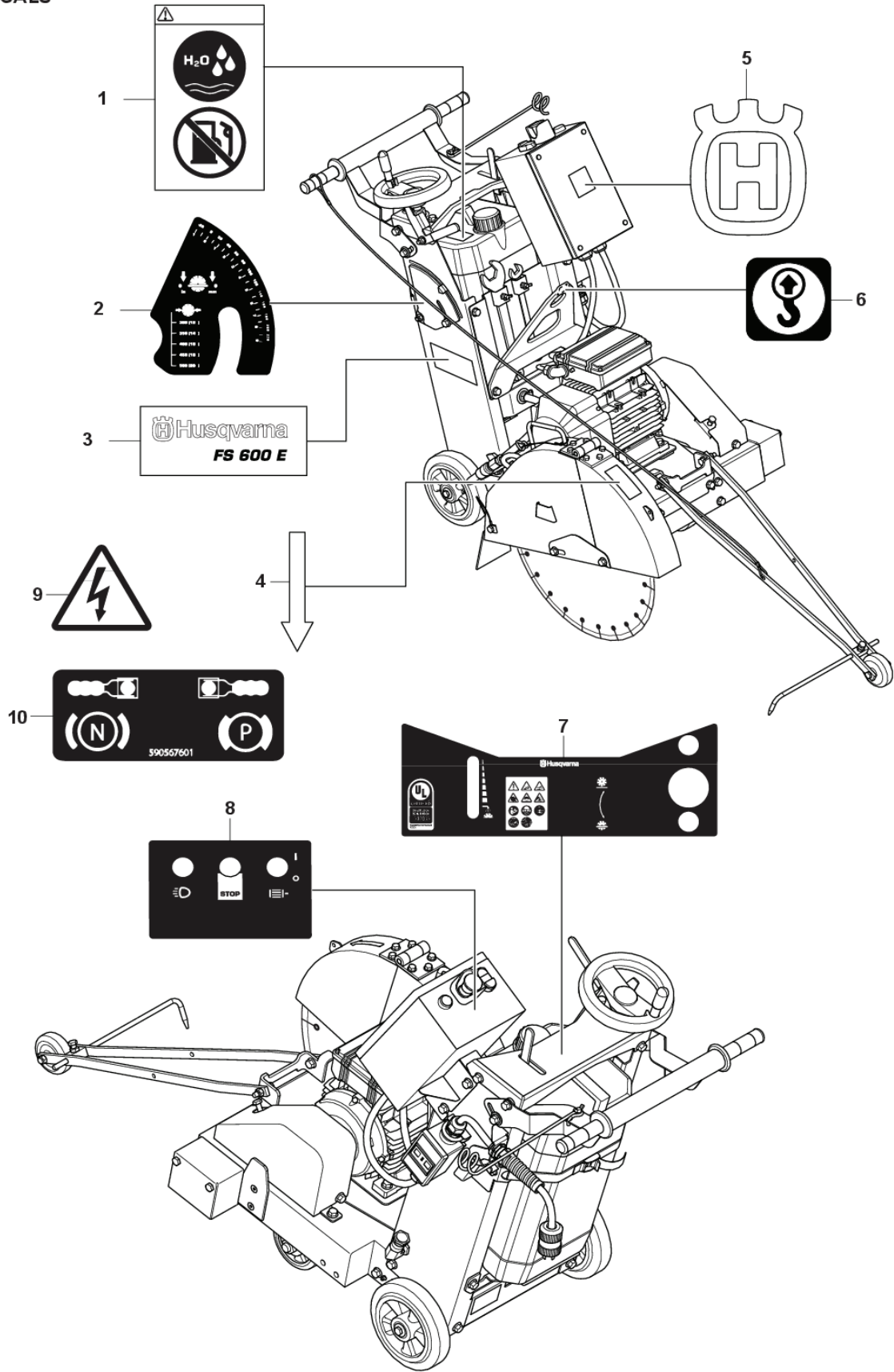
REF.	PART NO.	DESCRIPTION	REMARK	QTY.	KIT
1	725245371	SCREW EHHM		1	
2	531399601	GUIDE BAR		1	
3	599901101	GRIP		2	
4	599969101	VALVE		1	
5	529743701	HANDLE		1	
6	585973101	SCREW EHHFM		4	
7	543044732	WASHER		4	
8	536442401	FITTING	CE version	1	
9	504569301	TURNING KNOB		1	
10	734117441	WASHER		2	
11	543046633	WASHER		2	
12	732252001	HEXAGON LOCKING NUT		1	
13	734117201	WASHER		1	
14	599901201	PLATE		1	
15	731232001	HEXAGON NUT		1	
16	543044732	WASHER		1	
17	536654801	COWL PANEL	CE version	1	
18	536654802	COWL PANEL		1	
19	585973101	SCREW EHHFM		3	
20	725249771	SCREW EHHM		1	
21	732252001	HEXAGON LOCKING NUT		1	
22	536655101	PANEL		1	
23	585975201	SCREW EHHFM		1	
24	574838001	WASHER		1	
25	590774401	DEPTH GAUGE		1	
26	731231801	HEXAGON NUT		2	
27	725545301	SCREW IHSCM		1	
28	725229571	SCREW EHHM		2	
29	734113601	WASHER		2	
30	597466801	FITTING		3	
31	543046633	WASHER		1	
32	725249571	SCREW EHHM		1	
33	543850344	CLIP		3	
34	543045580	HOSE	Length 1200 mm	1	
35	543045580	HOSE	Length 1200 mm	1	
36	536654901	COWL PANEL		1	
37	585975201	SCREW EHHFM		4	
38	543045612	QUICK COUPLING		1	
39	542166906	TIE WRAP		2	
40	732252001	HEXAGON LOCKING NUT		2	
41	585973101	SCREW EHHFM		4	
42	534188401	SCREW		2	
43	531450301	TOOL		1	
44	531450401	WRENCH		1	
45	599744201	BRACKET		1	
46	599744001	COWL PANEL		1	
47	536654902	COWL PANEL		1	
48	529969101	ADAPTER		1	
49	542045640	WASHER		1	
50	536442201	FITTING		1	
51	529969201	ADAPTER		1	

FS 600 E
MOTOR



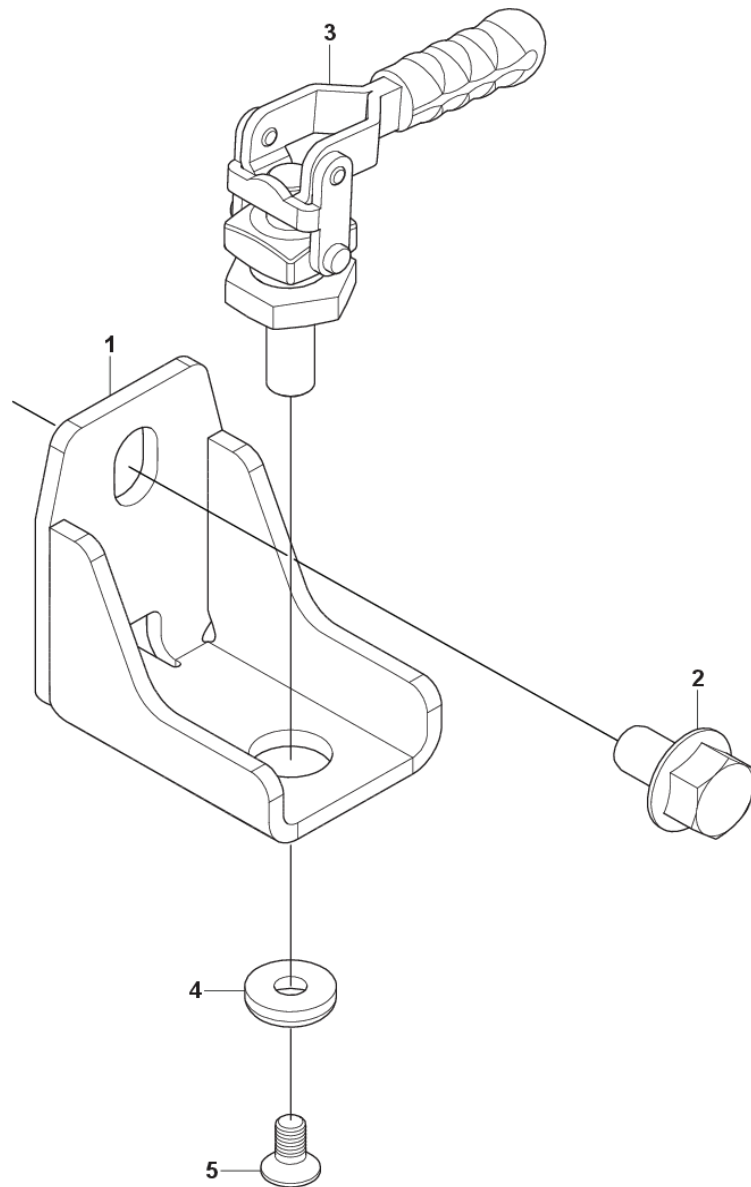
REF.	PART NO.	DESCRIPTION	REMARK	QTY.	KIT
1	585980401	SCREW EHHFM		4	
2	599870401	MOTOR	CE version 400V	1	
3	599660801	MOTOR		1	
4	536757301	KEY	CE version	1	
5	536757302	KEY		1	
6	732252001	HEXAGON LOCKING NUT		3	
7	599746301	ADAPTER PLATE	CE version	1	
8	599900901	ADAPTER PLATE		0	
9	585975201	SCREW EHHFM		6	
10	728744506	SCREW IHSETM		2	
11	596577201	PULLEY	CE version	1	
12	599901001	PULLEY		1	
13	531431501	BELT	CE version	1	
14	531431401	BELT		1	
15	536655201	ROPE		1	
16	585975301	SCREW EHHFM		2	
17	543046633	WASHER		2	
18	543044732	WASHER		2	
19	531360701	ROD		1	
20	725250551	SCREW EHHM		1	
21	725249171	SCREW EHHM		1	
22	599745501	BAR		1	
24	542202075	BUSHING		1	
25	543045932	WHEEL		1	

**FS 600 E
DECALS**



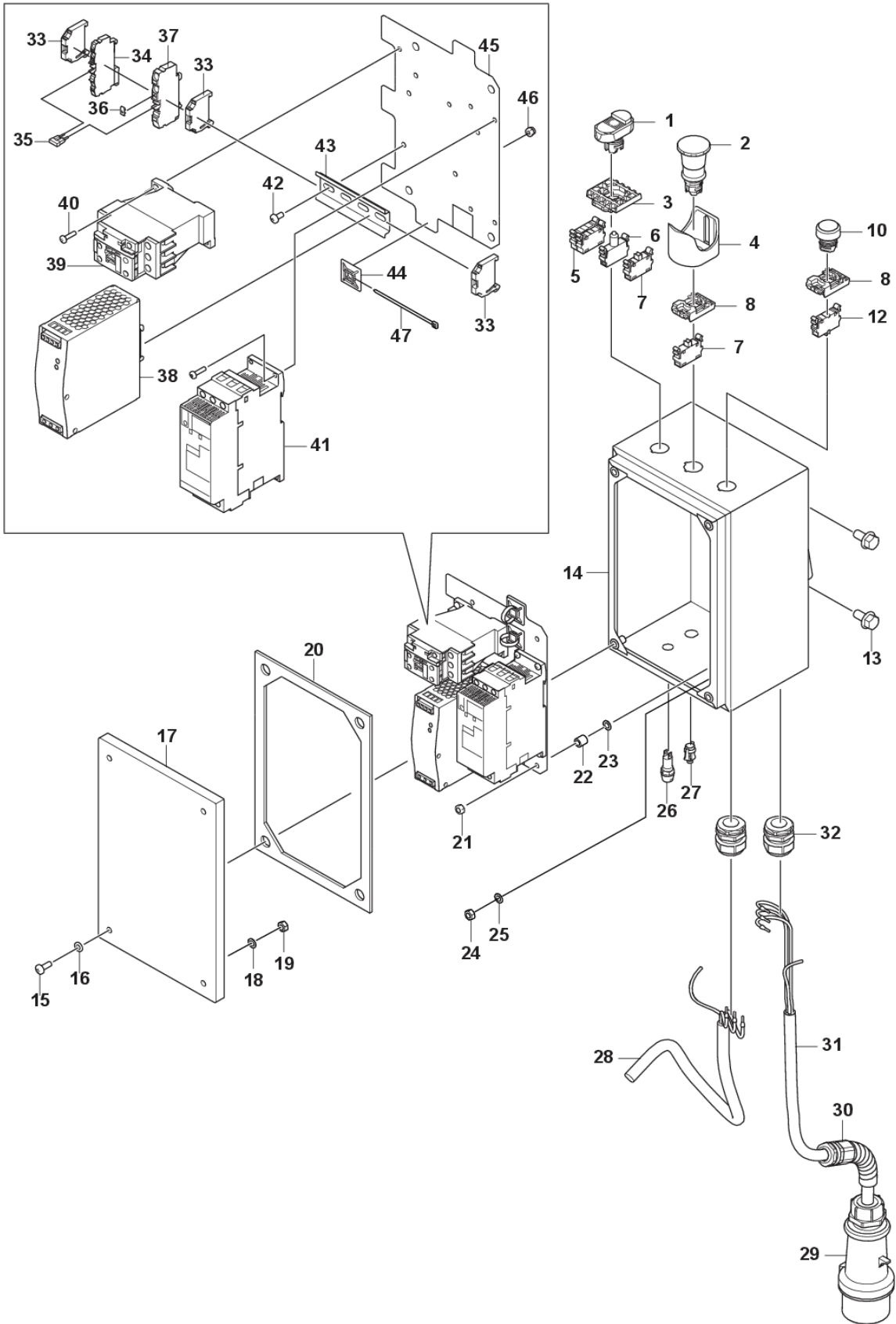
REF.	PART NO.	DESCRIPTION	REMARK	QTY.	KIT
1	529989001	DECAL		1	
2	529988701	DECAL		1	
3	529988601	DECAL		2	
4	529989501	DECAL		1	
5	576973401	DECAL		1	
6	599963601	LABEL		1	
7	529988801	DECAL	UL version	1	
7	529988901	DECAL		1	
8	529989801	DECAL		1	
9	536457801	DECAL		1	
10	590567601	STICKER		2	

**FS 600 E
PARKING BRAKE**



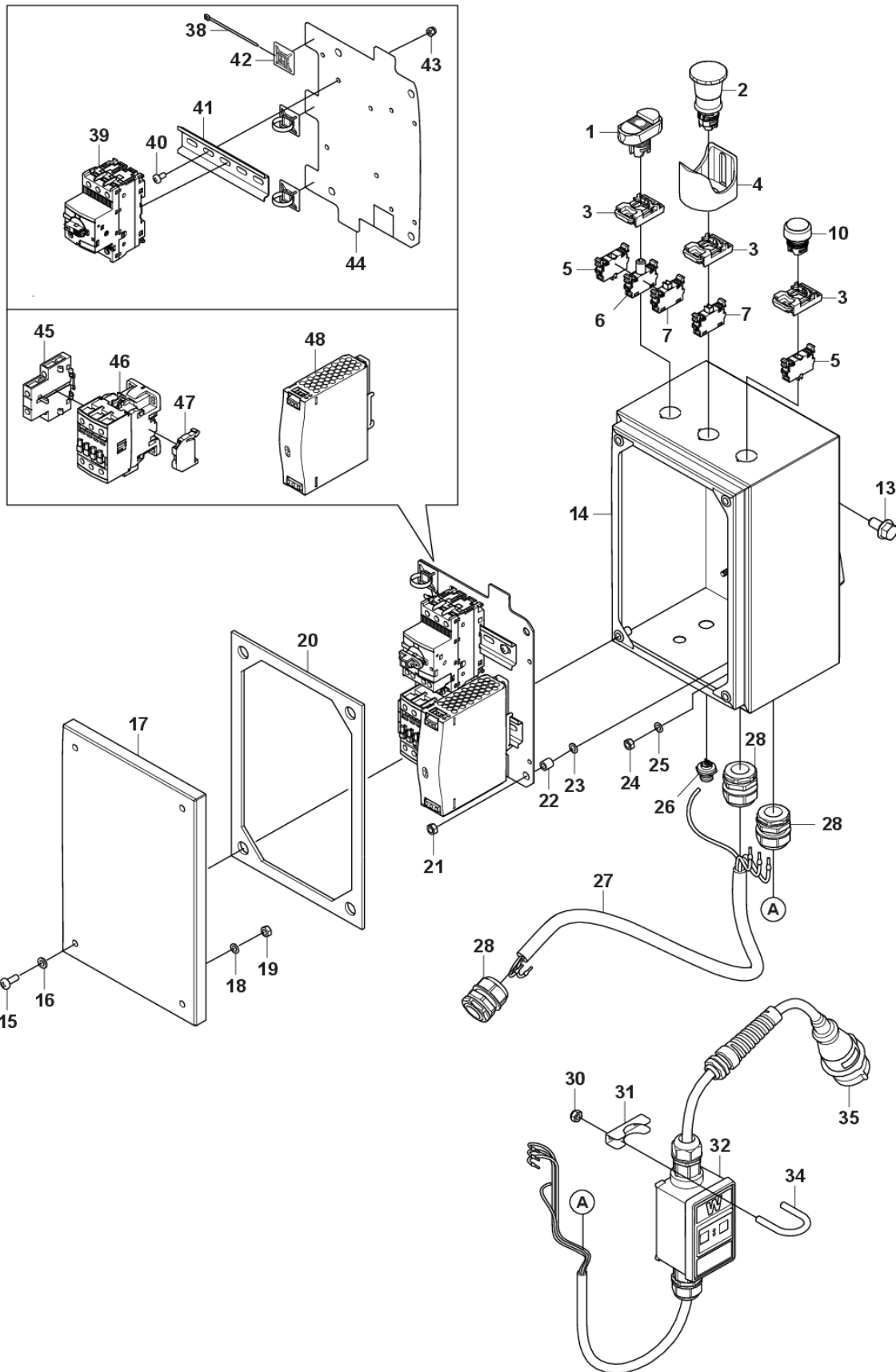
REF.	PART NO.	DESCRIPTION	REMARK	QTY.	KIT
1	536281801	BRACKET		1	
2	585997301	SCREW EHIHFM		1	
3	534150001	STRAINER		1	
4	590297501	WASHER		1	
5	725636601	SCREW IHCSFM		1	

**FS 600 E
ELECTRIC BOX - CE**



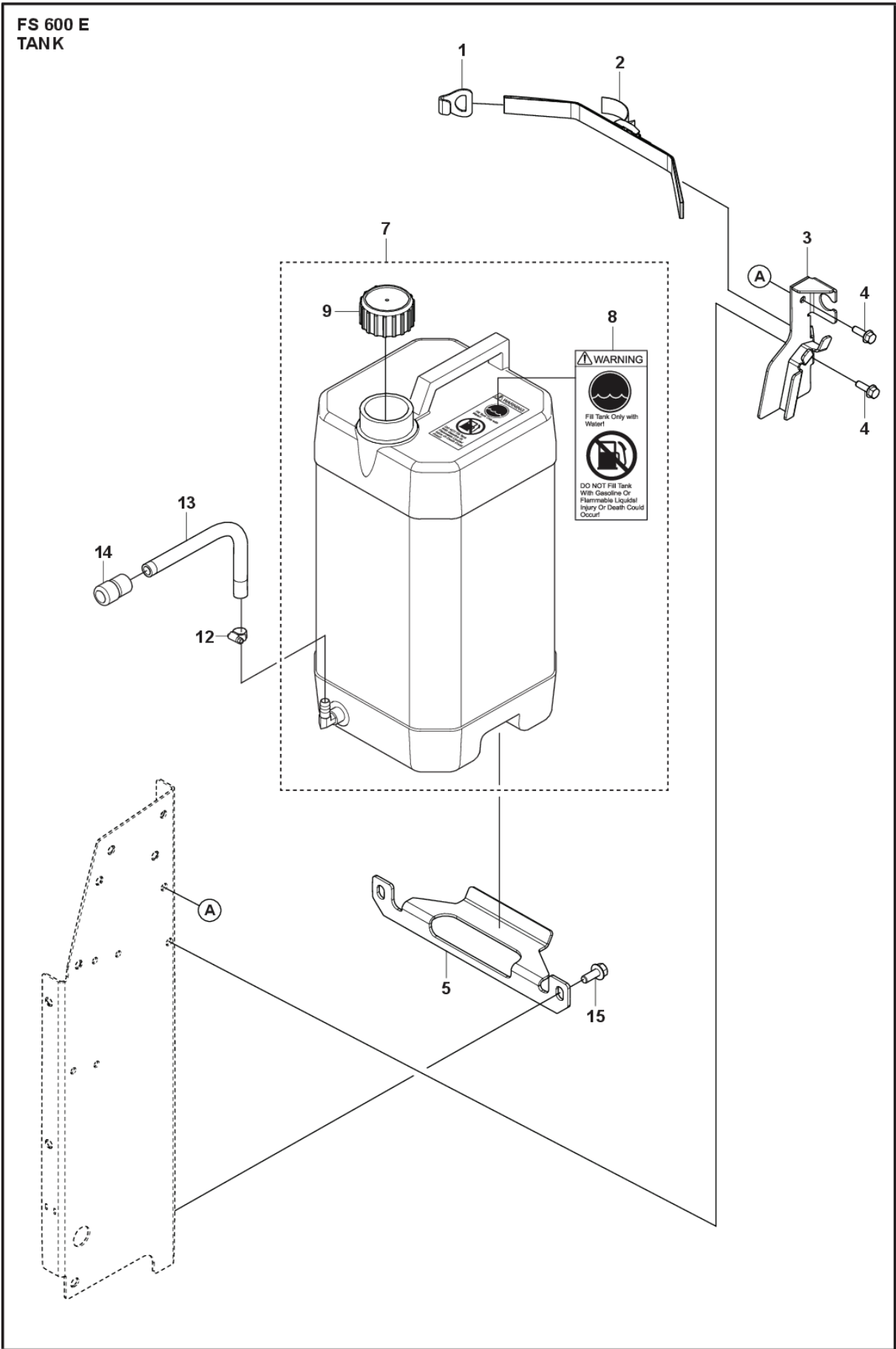
REF.	PART NO.	DESCRIPTION	REMARK	QTY.	KIT
1	529565401	MAIN SWITCH	CE version	1	
2	585638001	BUTTON		1	
3	531108301	HOLDER	CE version	1	
4	599915101	SWITCH KIT		1	
5	597632301	TERMINAL BLOCK	CE version	1	
6	597116801	LAMP	CE version	1	
7	510431401	TERMINAL BLOCK		2	
8	585637601	BASE	CE version	1	
10	529936901	MAIN SWITCH	CE version	1	
12	510431501	TERMINAL BLOCK	CE version	1	
13	597907901	SPACER		2	
14	599961001	ELECTRONIC BOX		1	
15	724136851	SCREW CRPANM		4	
16	734115201	WASHER		4	
17	596956701	LID		1	
18	735215301	LOCKWASHER		2	
19	731231601	HEXAGON NUT		1	
20	531450201	SEALING		1	
21	731231601	HEXAGON NUT		4	
22	585975201	SCREW EHHFM		4	
23	735215301	LOCKWASHER		4	
24	731231601	HEXAGON NUT		1	
25	735215301	LOCKWASHER		2	
26	535288002	FUSE HOLDER	CE version	1	
27	535293401	FUSE	CE version	1	
28	536223601	CABLE ASSY	CE version	1	
29	529317401	PLUG	CE version	1	
30	597471802	TERMINAL	CE version	1	
31	536223501	CABLE ASSY	CE version	1	
32	531171601	GROMMET	CE version	2	
33	585366105	TERMINAL BLOCK	CE version	3	
34	534184802	TERMINAL BLOCK	CE version	1	
35	535332301	TERMINAL	CE version	1	
36	597773902	TERMINAL BLOCK	CE version	1	
37	502543801	TERMINAL BLOCK	CE version	1	
38	595747401	POWER SUPPLY	CE version	1	
39	597632201	CONTACTOR	CE version	1	
40	724129351	SCREW CRPANM		2	
41	596922401	ELECTRIC STARTER	CE version	1	
42	724132551	SCREW CRPANM		2	
43	597094201	RAIL	CE version	1	
44	597305801	ATTACHMENT PLATE	CE version	6	
45	596871201	MOUNTING PLATE	CE version	1	
46	731231601	HEXAGON NUT		6	
47	542166906	TIE WRAP		6	

**FS 600 E
ELECTRIC BOX - US**



REF.	PART NO.	DESCRIPTION	REMARK	QTY.	KIT
1	529565401	MAIN SWITCH	US version	1	
2	585638001	BUTTON		1	
3	585637601	BASE	US version	3	
4	599915101	SWITCH KIT		1	
5	510431501	TERMINAL BLOCK	US version	2	
6	585661002	BLOCK	US version	1	
7	510431401	TERMINAL BLOCK		2	
10	529936901	MAIN SWITCH	US version	1	
13	585975201	SCREW EHHFM	US version	2	
14	599961001	ELECTRONIC BOX		1	
15	724136851	SCREW CRPANM		4	
16	734115201	WASHER		4	
17	596956701	LID		1	
18	735215301	LOCKWASHER		2	
19	731231601	HEXAGON NUT		1	
20	531450201	SEALING		1	
21	731231601	HEXAGON NUT		4	
22	597907901	SPACER		4	
23	735215301	LOCKWASHER		4	
24	731231601	HEXAGON NUT		1	
25	735215301	LOCKWASHER		2	
26	535332401	PLUG		1	
27	599812701	PRIMARY CABLE		1	
28	531171601	GROMMET		3	
30	732251801	HEXAGON LOCKING NUT	US version	4	
31	531127401	PLATE	US version	2	
32	529326001	WIRING ASSY	US version	0	
34	531174001	ROD	US version	2	
35	574184001	PLUG	US version	1	
38	542166906	TIE WRAP		20	
39	584297805	RELAY	US version	1	
40	724132551	SCREW CRPANM		2	
41	529953801	RAIL	US version	2	
42	597305801	ATTACHMENT PLATE	US version	4	
43	732251401	HEXAGON LOCKING NUT		2	
44	596871201	MOUNTING PLATE	US version	1	
45	599870001	CONTACTOR	US version	1	
46	599869901	CONTACTOR	US version	1	
47	585366105	TERMINAL BLOCK	US version	3	
48	599870201	POWER UNIT	US version	1	

**FS 600 E
TANK**



REF.	PART NO.	DESCRIPTION	REMARK	QTY.	KIT
1	596975601	HOOK		1	
2	584618701	584618701		1	
3	536537601	BRACKET		2	
4	585975601	SCREW EHHFM		1	
5	531391001	SUPPORT		1	
7	536260401	TANK ASSY	straight nipple	1	
7	536260402	TANK ASSY	angled nipple	1	
8	542190617	DECAL		1	
9	543045599	PLUG		1	
12	543850344	CLIP		1	
13	543045580	HOSE		1	
14	543045612	QUICK COUPLING		1	
15	585973101	SCREW EHHFM		1	